

RDS SPLITTERS



Features

- RDS4: 1 DMX input and 4 DMX outputs. All connectors are XLR 5-Pin.
- RDS8: 1 DMX input and 8 DMX outputs. All connectors are XLR 5-Pin.
- Normal mode: splitter actively repeats RDM traffic bidirectionally while level information goes from controller to DMX devices as usual
- Filter Mode: Single button-press allows all RDM traffic to be filtered out, for legacy devices which might flicker if they see RDM messages on the line
- Backup Mode: Another button bypasses intelligent RDM functionality completely to work as a traditional DMX splitter would
- Fully compliant with USITT DMX512-A
- RDM enabled - ANSI E1.20 compliant
- Internal auto-ranging power supply
- 1500 V full isolation

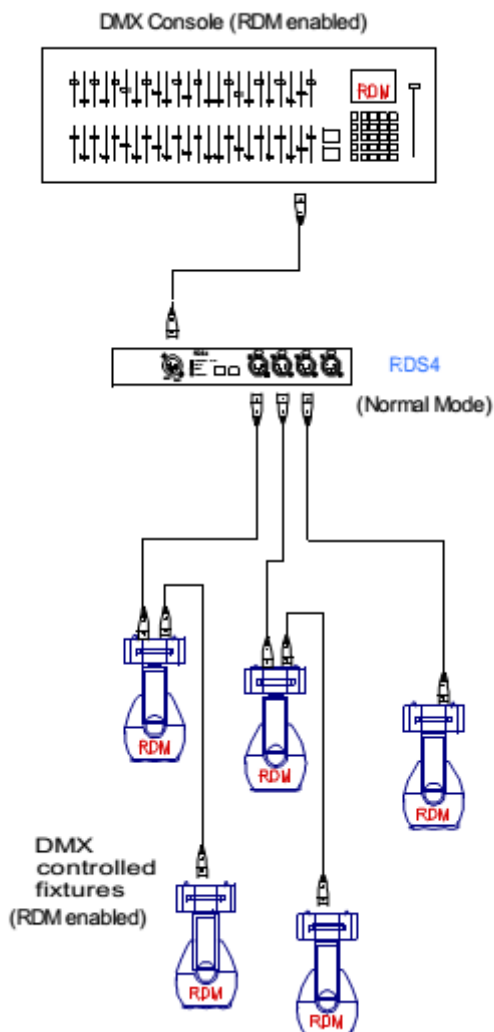
Safety

- Do not expose to rain or moisture, doing this will void the warranty
- Do not remove the cover, there are no serviceable parts inside
- This unit is intended for indoor use only
- Wherever possible, use certified DMX cables for better reliability.

Specifications

Item	Product Name	
	RDS8 70036	RDS4 70037
Input Voltage	90-260V AC	
Input Frequency	50 / 60 Hz	
DMX input connectors	1x5-pin Male XLR	
DMX output connectors	8x5-pin Female XLR	4x5-pin Female XLR
Power connector	1xIEC mains connector	
DMX connector pin OUT	Pin 1: Ground Pin 2: Data - Pin 3: Data + Pin 4: NC Pin 5: NC	
Ambient Operating Temperature	0 ... +50 °C	
Unit Weight	1.8 Kg / 3.96 lb	0.75 Kg / 1.65 lb
Dimensions (mm)	432 x 115 x 44.45	300 x 115 x 44.45
Dimensions (in)	17 x 4.53 x 1.75"	11.82 x 4.53 x 1.75"

Wiring Diagrams



Ordering Information

RDS Splitters and related products can be ordered from our website or through your ENTTEC dealer using the following part numbers.

Part Number	Description
70037	RDS4
70036	RDS8
70029	5-pin to 3-pin DMX Adapter
79122	5-pin DMX Terminator
79126	0.5m 5-pin DMX Cable
79133	2.0m 5-pin DMX Cable
79135	5.0m 5-pin DMX Cable
79135	10.0m 5-pin DMX Cable

enttec.com

MELBOURNE AUS / LONDON UK / DURHAM NC, USA