



DD-8R User Manual



This manual contains important information.
Please read before operating fixture.



The DD-8R is a 1U rack mountable DMX/RDM signal booster and splitter. Meeting RDM E1.20-2006 & USITT DMX-512 (1990) protocol, it is a perfect tool for lighting professional. The main purpose of this DMX/RDM Splitter is to maintain proper data over long or multiple DMX devices (to a maximum of 32 devices) and simplify wiring. Great for larger DMX networks.

What is included

The following items are included in the box:

- 1pc RDM Splitter
- 1pc Power cord
- 1pc User Manual

Carefully unpack the carton, check the contents to ensure that all parts are present, and have been received in good condition. Contact your supplier immediately and retain packing material for inspection if any part is missing or damaged.

Safety Instruction



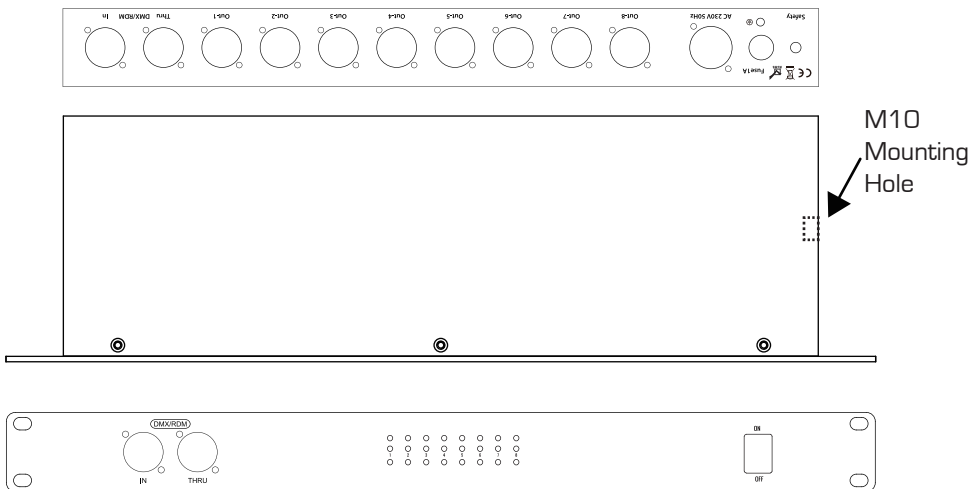
WARNING!!! To reduce the risk of fire, electric shock, or injury to persons, follow these important safety instructions:

- This product is intended for indoor use only!
- Always turn off, unplug power and allow fixture to cool before servicing.
- Ensure that fixture is properly grounded.
- Please keep this User Guide for future consultation.
- To prevent risk of fire or shock, do not expose fixture to rain or moisture.
- The unit must be installed in a location with adequate ventilation. Be sure no ventilation slots are blocked.
- Make sure power cord is never crimped or damaged.
- Do not remove the top cover under any conditions. There are no user serviceable parts inside.
- Disconnect the unit's main power when left unused for long periods of time.
- Never connect this unit to a dimmer pack.
- Never operate this unit when it's cover is removed.

Features

- RDM/DMX signal booster & splitter
- RDM E1.20 compliant
- 1 input to 8 outputs
- 3pin or 5pin DMX In (in front and rear panel)
- 3pin or 5pin DMX Thru (in front and rear panel)
- 3pin or 5pin DMX Out
- 100% isolation for all inputs and outputs
- Signal & power LED indicator for output

Product Overview



Installation

The unit is designed for 1U rack mount and truss mount.

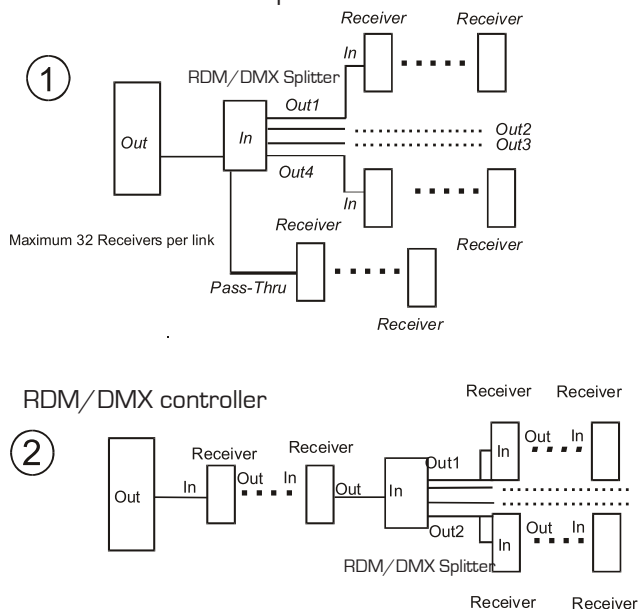
AC Power

The unit is designed to work on AC 220V-240V 50Hz. Before applying power to a unit, make sure that the unit's input voltage matches the power source voltage.

WARNING: All units must be connected to circuits with a suitable Earth Ground.

Connection Diagrams

1. Connect signal out from your RDM/DMX controller to RDM/DMX In from front or rear panel of this unit.
2. Use the 8 outputs to send RDM/DMX signal to your DMX fixtures.
3. A RDM/DMX splitter unit is required when DMX cable run is more than 100 meters or there are more than 32 pcs DMX device in a line.



WARNING: disconnect mains supply before making any type of connection.

LED indicators

When the unit is powered on the red power indicators will be on.

When DMX signal is present, the green indicators will be on.

When RDM signal is present, the blue indicators will blink.

SPECIFICATIONS

WEIGHT & DIMENSIONS

Length	482 mm
Width	44 mm
Height	180 mm
Weight	2.5kg

POWER

AC Power	AC 220V-240V 50Hz
Fuse	F1A / 250V
Power consumption	6W max.

IMPORTANT INFORMATION!

In order to optimize the recovery and recycling of the materials that old appliances contain and reduce the impact on human health and the environment, ensure that this product is recycled at the end of its life.

