

ARC33-S-IP

USER'S MANUAL



Thank you for purchasing the ARC33-S-IP. Every suit has been thoroughly tested and shipped in perfect condition. Carefully check the shipping carton for damage that may have occurred during shipping. If the carton appears to be damaged, carefully inspect your unit for any damage and be sure all accessories necessary to operate the unit has arrived intactly. In the case damage has been found or parts are missing, please contact Acson Comercial or your local supplier for further instructions. Do not return this unit without any warning.

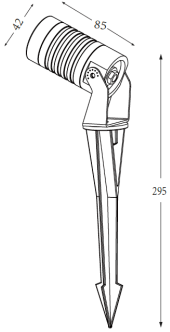
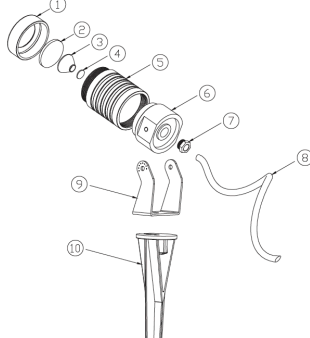
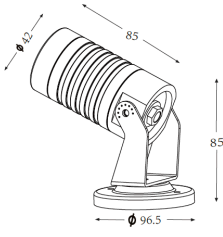
Contents

1.Features	3
2. Wiring System	3
<i>2.1: 24VDC synchronous RGB fitting</i>	
<i>RGB: product circuit (5 cable)</i>	
3. Specifications	4
<i>3.1: Material Specifications</i>	
<i>3.2 Electrical Parameters</i>	

**FOR YOUR OWN SAFETY, PLEASE READ
THIS USER MANUAL CAREFULLY BEFORE
POWERING OR INSTALLING. SAVE IT FOR
FUTURE REFERENCE**

1. Features

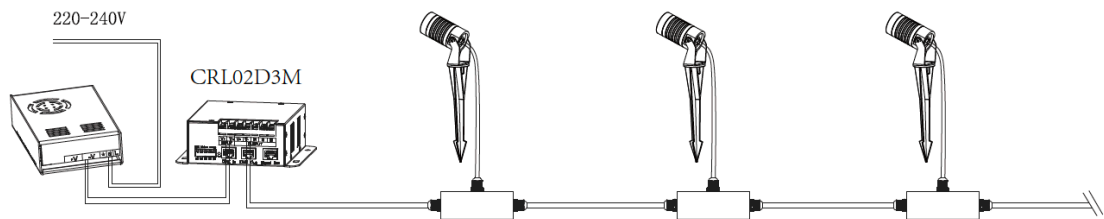
- The ARC33-S-IP is a high power LED garden spot light with optional RGB color (with an added RGB controller).
- The standard input voltage is 24VDC. When you install the product, please check the data label on the product and the wire.
- When using low voltage light fixture, make sure you prepare a powerful power supply or 24VDC output transformer. Total demand of power is proportional to total power consumption + total power of cable impedance consumption. When installing, always work with a skilled technician or contact your dealer's customer service.
- The main material of this product is aluminum. Surface coating is only suitable for natural environments. Don not install this product near the sea water o somewhere where the environment is highly salty o acidic.
- This is an IP65 grade product. Do not submerge fixture into water.
- Aplicable environment temperature: $-20^{\circ}\text{C} < \text{fixture} < +40^{\circ}\text{C}$

OUTLINE DIMENSION	BOM
<p>B3AB0106</p> 	
<p>B3AM0106</p> 	<p>① Front cover ② Tempered glass ③ Optical lens ④ LED and PCB ⑤ Housing ⑥ Back cover ⑦ Cable gland ⑧ Power cable ⑨ Bracket ⑩ Spike</p>
<p>Unit: mm</p>	

Note: The drawing to the left shows a general introduction to this product. If there is any discrepancy, please contact your local supplier.

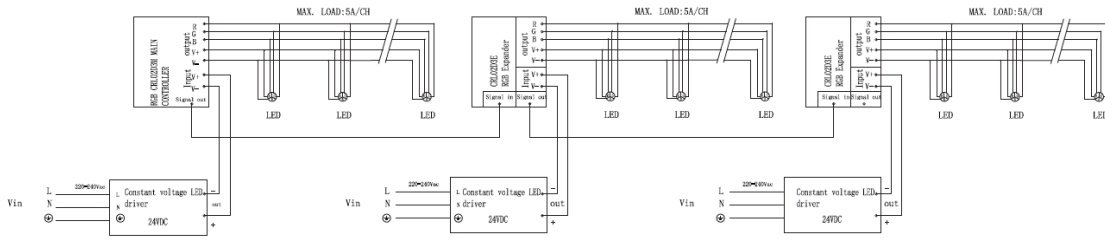
2. Wiring Diagram

2.1: 24VDC synchronous RGB fitting



- The LED light source can create three colours of red, green, blue (RGB) at the same time, and create synchronous RGB effects using a RGB controller.

RGB: product circuit (5 cable)



- The three polarity wires represent the three colours of red, green, blue which feed the current for the individual driver of fitting, and control the colour changing program.
- Make sure the wires of each fitting that represent the colour are connected in a same circuit, otherwise it can't create synchronous colour changing.
- The connection quantity can't exceed the maximum load of the power supply. The recommended distance between fitting and colour changing controller is less than 20m. The length of the RJ45 signal wire between the main controller and the expander should be less than 50m.

3. Specifications

3.1: Material Specifications

- **Housing** - Aluminum anodized finishing & powder painting
- **Glass-Tempered glass**.T=3mm
- **Lens** – Optical lens, efficiency ≥ 85%
- **Gasket** – Tooling shaped seal
- **Power Cable:** H05RN-F x 0,5mm² L=2m (for RGB)
- **LED:** TO type power LED for RGB
- **Driver:** Constant current output

3.2 Electrical Parameters

	B3AB0106	B3AM0106
Light Source	1x3W RGB 3in1 Full color	1x3W RGB 3in1 Full color
Lens	B49	B49
Recommended selected lens degree	30	30
Input voltage (v)	24VDC	24VDC
Typical Operating Current (mA)	R = 70 G=70 B=70	R = 70 G=70 B=70
Typical Consumption	5	5
Typical luminance (lm)	50	50
IK rate	02	02

IMPORTANT INFORMATION!

In order to optimize the recovery and recycling of the materials that old appliances contain and reduce the impact on human health and the environment, please make sure that this product is recycled at the end of its life.

Note: All information is subject to change without prior notice.



Importer:

ACSON COMERCIAL
C/Pallars, 405
08019 Barcelona
www.acson.com
acson@acson.com