

Vivid 4 X4

User Manual

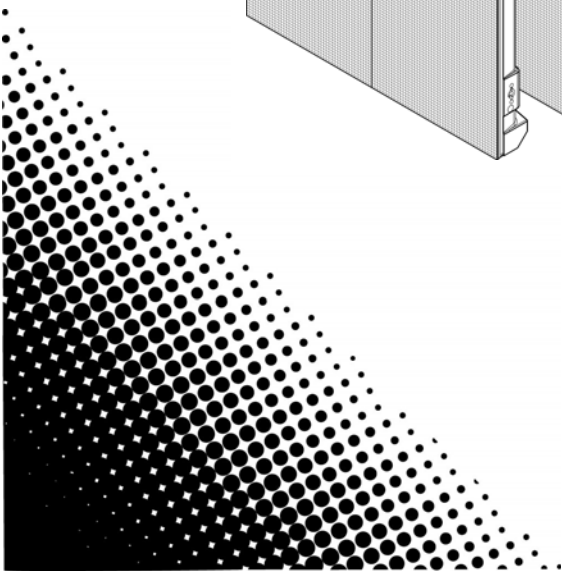
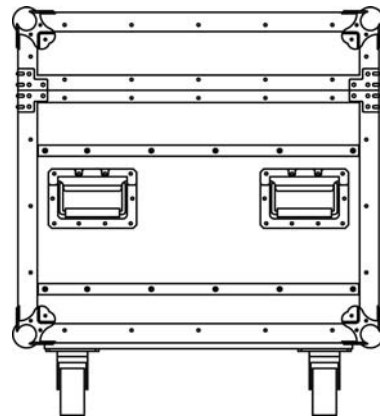
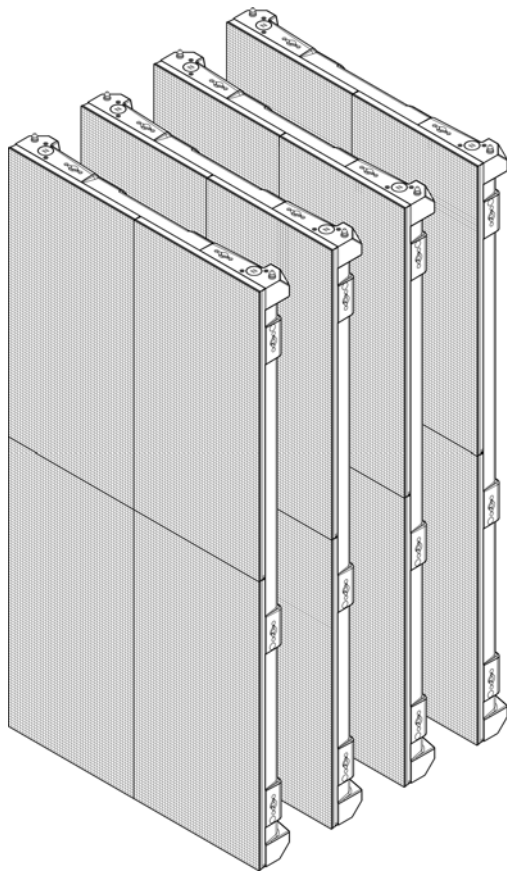


TABLE OF CONTENTS

1. Before You Begin	1
What Is Included	1
Claims	1
Text Conventions	1
Symbols	1
Disclaimer	1
Safety Notes.....	2
2. Introduction	3
Product Description.....	3
Features.....	3
Additional Products	3
Optional Accessories	3
Available Signal and Power Cables	3
Product Overview.....	4
Pixels per Panel	5
Product Dimensions	6
3. Setup	7
AC Power	7
AC Plug	7
Power Linking.....	7
4. Mounting	8
Orientation.....	8
Truss Installation	8
RB-F50CM Rig Bar Dimensions	9
RB-F100CM Rig Bar Dimensions	9
Rig Bar/Panel Assembly	10
Alternative Rig Bar/Panel Assembly	11
Mounting to Truss with Chauvet CT-APP	11
5. Creating a Modular Design.....	12
Vertically Joining the Panels	12
Vertical Panel Connection.....	13
Horizontally Joining the Panels	14
Horizontal Panel Connection.....	14
6. Connecting and Cabling	15
Testing Signal and Power Connections	15
Using the Vivid 4 Test Button.....	15
Connecting Power and Signal Cables.....	16
Connecting the Signal Between Joined Panels	16
Connecting the Power Between Joined Panels	17
7. LED Module Care and Replacement.....	18
Vivid 4 Module.....	18
LED Lot Numbers.....	18
A and B Modules.....	18
Vivid 4 LED Module Removal	19
8. Panel Configuration	20
Removing and Installing the Handles.....	20
Accessing the Service Module	20
9. Typical Installation	21
10. Operation	22

Additional Hardware and Software.....	22
About NovaLCT-Mars	22
Description	22
11. Technical Information	23
Vivid 4 Maintenance.....	23
Returns.....	23
12. Technical Specifications	24
1. Antes de empezar.....	25
Qué va incluido	25
Reclamaciones.....	25
Convenciones del manual.....	25
Símbolos	25
Exención de responsabilidad	25
Notas de seguridad	26
2. Introducción.....	27
Descripción del producto.....	27
Características	27
Productos adicionales.....	27
Accesorios opcionales	27
Cables de alimentación y señal disponibles	27
Vista general del producto	28
Píxeles por panel	29
Dimensiones del producto.....	30
3. Instalación.....	31
Corriente alterna	31
Enchufe CA.....	31
Alimentación en cadena.....	31
4. Montaje.....	32
Orientación.....	32
Instalación de truss	32
Dimensiones de la Rig Bar RB-F50CM.....	33
Dimensiones de la Rig Bar RB-F100CM.....	33
Rig Bar/Ensamblaje del panel.....	34
Rig Bar/Ensamblaje alternativo del panel	35
Montaje en truss con Chauvet CT-APP	35
5. Creación de un diseño modular.....	36
Unir los paneles verticalmente	36
Conexión del panel vertical.....	37
Unir los paneles horizontalmente.....	38
Conexión del panel horizontal.....	38
6. Conectar (cablear) todos los Vivid 4	39
Probar la señal y las conexiones de alimentación	39
Utilizar el botón de prueba del Vivid 4.....	39
Conectar los cables de alimentación y señal	40
Conectar la señal entre paneles unidos.....	40
Conectar la alimentación entre paneles unidos	41
7. Cuidados y sustitución del módulo LED	42
Módulo LED del Vivid 4.....	42
Números de lote LED.....	42
Módulos A y B.....	42
Quitar el módulo LED del Vivid 4	43

8. Configuración del panel	44
Quitar y instalar los asas.....	44
Acceso al módulo de servicio.....	44
9. Instalación típica	45
10. Funcionamiento.....	46
Hardware y software adicional	46
Acerca de NovaLCT-Mars.....	46
Descripción	46
11. Información técnica	47
Mantenimiento del Vivid 4.....	47
Devoluciones.....	47
12. Especificaciones técnicas.....	48
1. Avant de commencer	49
Contenu.....	49
Réclamations	49
Conventions manuelles.....	49
Symboles	49
Clause de Non-Responsabilité.....	49
Consignes de Sécurité	50
2. Introduction	51
Description de l'appareil.....	51
Caractéristiques	51
Appareils supplémentaires.....	51
Accessoires optionnels	51
Câbles de signal et d'alimentation disponibles	51
Vue d'ensemble de l'appareil	52
Pixels par panneau	53
Dimensions de l'appareil	54
3. Installation	55
Alimentation CA	55
Prise CA	55
Chaînage électrique.....	55
4. Fixation.....	56
Orientation.....	56
Installation sur treillis.....	56
Dimensions de la Rig Bar RB-F50CM.....	57
Dimensions de la Rig Bar RB-F100CM.....	57
Assemblage de la Rig Bar et du panneau.....	58
Autre assemblage de la Rig Bar et du panneau	59
Montage sur pont Truss avec pince Chauvet CT-APP	59
5. Création d'une configuration modulaire	60
Assemblage vertical des panneaux	60
Connexion verticale des panneaux.....	61
Assemblage horizontal des panneaux	62
Connexion horizontale des panneaux.....	62
6. Connexion et câblage	63
Test des connexions de signal et d'alimentation.....	63
Utilisation du bouton Test du Vivid 4.....	63
Connexion des câbles d'alimentation et de signal	64
Connexion du signal entre des panneaux assemblés.....	64
Connexion de l'alimentation entre des panneaux assemblés	65

7. Entretien des modules LED	66
Module LED Vivid 4.....	66
Numéros de lot LED.....	66
Modules A et B.....	66
Dépose de module LED du Vivid 4	67
8. Configuration du panneau	68
Retrait et installation des poignées	68
Accès au module de service.	68
9. Installation type	69
10. Utilisation	70
Matériel et logiciel additionnels	70
A propos du NovaLCT-Mars	70
Description	70
11. Informations techniques	71
Entretien du Vivid 4.....	71
Renvois.....	71
12. Spécifications techniques	72
1. Erste Schritte	73
Packungsinhalt.....	73
Schadensmeldung	73
Textkonventionen.....	73
Symbole	73
Haftungsausschluss.....	73
Sicherheitshinweise	74
2. Einleitung	75
Produktbeschreibung	75
Eigenschaften	75
Zusätzliche Geräte.....	75
Optionales Zubehör.....	75
Verfügbare Signal- und Stromkabel.....	75
Produktübersicht	76
Pixel pro Panel.....	77
Abmessungen des Produkts	78
3. Einrichten des Geräts	79
Wechselstrom	79
Wechselstromstecker.....	79
Serienschaltung der Geräte	79
4. Montage	80
Montagerichtung	80
Montage an Traversen	80
Abmessungen des RB-F50CM Rig Bar	81
Abmessungen des RB-F100CM Rig Bar	81
Rig Bar/Panel-Baugruppe	82
Alternative Rig Bar/Panel-Baugruppe	83
Befestigung an einem Gerüst mit Chauvet CT-APP	83
5. Erstellung eines modularen Designs	84
Vertikaler Zusammenbau der Panels.....	84
Vertikaler Zusammenbau der Panels.....	85
Horizontaler Zusammenbau der Panels.....	86
Horizontaler Zusammenbau der Panels.....	86
6. Zusammenschluss und Verkabelung	87

Testen der Signal- und Stromverbindingen	87
Verwendung der Test-Taste des Vivid 4	87
Anschließen der Strom- und Signalkabel.....	88
Anschließen der Signalkabel zwischen miteinander verbundenen Panels	88
Anschließen der Stromkabel zwischen miteinander verbundenen Panels	89
7. Pflege und Austausch von LED-Modulen	90
Vivid 4-Modul	90
LED-Chargennummern	90
A- und B-Modulen	90
Austausch des Vivid 4 LED-Moduls	91
8. Panel-Konfiguration	92
Entfernen und Montieren der Griffe.....	92
Zugreifen auf das Service-Modul	92
9. Typische Installation.....	93
10. Betrieb	94
Zusätzliche Befestigungsmittel und Software	94
Über die NovaLCT-Mars	94
Beschreibung	94
11. Technische Informationen.....	95
Wartung des Vivid 4	95
Reklamationen	95
12. Technische Daten.....	96
1. Voordat tu begint.....	97
Wat is er inbegrepen	97
Claims	97
Conventies van deze handleiding	97
Symbolen	97
Disclaimer	97
Veiligheidsinstructies.....	98
2. Inleiding.....	99
Productbeschrijving.....	99
Eigenschappen	99
Extra producten.....	99
Optionele accessoires.....	99
Beschikbare signaal- en voedingskabels	99
Productoverzicht	100
Pixels per paneel.....	101
Afmetingen van het product	102
3. Instelling.....	103
AC-stroom	103
AC Plug	103
Power Linking.....	103
4. Montage.....	104
Oriëntatie.....	104
Spantinstallatie.....	104
RB-F50CM Rig Bar-afmetingen	105
RB-F100CM Rig Bar-afmetingen	105
Montage van de Rig Bar/het paneel.....	106
Alternatieve montage van de Rig Bar/het paneel.....	107
Spantmontage met Chauvet CT-APP	107
5. Creëren van een modulair ontwerp	108

Verticaal samenvoegen van de panelen	108
Verticale paneelverbinding.....	109
Horizontaal samenvoegen van de panelen.....	110
Horizontale paneelverbinding.....	110
6. Verbinden en bekabelen	111
Testen van signaal- en stroomaansluitingen.....	111
Gebruik van de testknop van de Vivid 4.....	111
Aansluiten van stroom- en signaalkabels.....	112
Het signaal aansluiten tussen de samengevoegde panelen.....	112
Het vermogen aansluiten tussen de samengevoegde panelen	113
7. Verzorging en vervanging van de LED-module.....	114
Vivid 4 LED-module	114
Lot-nummers van de LED	114
A- en B-modules	114
Vivid 4 LED-moduleverwijdering	115
8. Paneelconfiguratie	116
De handgrepen verwijderen en installeren.....	116
Toegang tot de servicemodule.....	116
9. Gebruikelijke Vivid 4-installatie	117
10. Werking	118
Extra apparatuur en software.....	118
Over NovaLCT-Mars	118
Beschrijving.....	118
11. Technische informatie	119
Onderhoud van de Vivid 4.....	119
Retouren	119
12. Technische specificaties	120
13. Contact Us	121

1. Before You Begin

What Is Included

- 4 Vivid 4
- 1 Seetronic Powerkon[®] power cord
- 4 Seetronic Powerkon[®] power linking cords
- 4 Seetronic Etherkon[®] signal linking cords
- Road Case
- Warranty Card
- User Manual

Claims

Carefully unpack the product immediately and check the container to make sure all the parts are in the package and are in good condition.




If the box or the contents (the product and included accessories) appear damaged from shipping, or show signs of mishandling, notify the carrier immediately, not Chauvet. Failure to report damage to the carrier immediately may invalidate your claim. In addition, keep the box and contents for inspection.

For other issues, such as missing components or parts, damage not related to shipping, or concealed damage, file a claim with Chauvet within 7 days of delivery.

Text Conventions

Convention	Meaning
1–512	A range of values
50/60	A set of values of which only one can be chosen
Settings	A product function or menu option
<ENTER>	A key to be pressed on the product's control panel

Symbols

Symbol	Meaning
	Critical installation, configuration, or operation information. Not following these instructions may make the product not work, cause damage to the product, or cause harm to the operator.
	Important installation or configuration information. The product may not function correctly if this information is not used.
	Useful information.

Disclaimer

Chauvet believes that the information contained in this manual is accurate in all respects. However, Chauvet assumes no responsibility and specifically disclaims any and all liability to any party for any loss, damage or disruption caused by any errors or omissions in this document, whether such errors or omissions result from negligence, accident or any other cause. Chauvet reserves the right to revise the content of this document without any obligation to notify any person or company of such revision, however, Chauvet has no obligation to make, and does not commit to make, any such revisions. Download the latest version from www.chauvetdj.com.

The works of authorship contained in this manual, including, but not limited to, all design, text and images are owned by Chauvet.

© Copyright 2017 Chauvet & Sons, LLC. All rights reserved.

Electronically published by Chauvet in the United States of America.

CHAUVET, the Chauvet logo, and Vivid 4 are registered trademarks or trademarks of Chauvet & Sons LLC (d/b/a Chauvet and Chauvet Lighting) in the United States and other countries. Other company and product names and logos referred to herein may be trademarks of their respective companies.

Safety Notes



- Always connect the product to a grounded circuit to avoid the risk of electrocution.
- Avoid direct eye exposure to the light source while the product is on.
- Make sure the power cord is not crimped or damaged.
- Never disconnect the product from power by pulling or tugging on the cord.
- If mounting the product overhead, always secure to a fastening device using a safety cable.
- Make sure there are no flammable materials close to the product when operating.
- Do not touch the product's housing when operating because it may be very hot.



- Always make sure that the voltage of the outlet to which you are connecting the product is within the range stated on the decal or rear panel of the product.
- The product is for indoor use only! (IP30) To prevent risk of fire or shock, do not expose the product to rain or moisture.
- Always install the product in a location with adequate ventilation, at least 20 in (50 cm) from adjacent surfaces.
- Be sure that no ventilation slots on the product's housing are blocked.
- Never connect the product to a dimmer.
- Never carry the product from the power cord.
- The maximum ambient temperature (Ta) is 104 °F (40 °C). Do not operate the product at higher temperatures.
- In the event of a serious operating problem, stop using the product immediately.
- Never try to repair the product. Repairs carried out by unskilled people can lead to damage or malfunction. Please contact the nearest authorized technical assistance center.
- To eliminate unnecessary wear and improve its lifespan, during periods of non-use completely disconnect the product from power via breaker or by unplugging it.



Keep this User Manual for future use. If you sell the product to someone else, be sure that they also receive this document.

2. Introduction

Product Description

The Vivid 4 is a video wall system which runs on the Novastar control protocol. The Vivid 4 is a 1 meter by 1 half meter LED video panel that is ideal for both the installation and rental markets.

Features

- Modular video panel vividly displays content without the need of bulky media servers
- Multiple magnets and positioning pins effortlessly allow a tool free, one-man setup
- Elongated size with multiple Speego connectors sets up 2x faster than other panels
- Creates a perfect DJ façade and seamlessly integrates with Serato for displaying music videos
- Panels can be suspended vertically or horizontally offering different aspect ratio options
- Dual power supplies improve reliability and ensure downstream panels don't lose signal
- Black body LEDs accurately reproduce high-contrast videos
- Intelligent modules with dedicated memory improve the image quality and simplify maintenance
- Extremely lightweight due to the magnesium die-cast housing

Additional Products

- NovaStar Driver (Vivid Drive 23N or VIP Drive 43Nova; required)

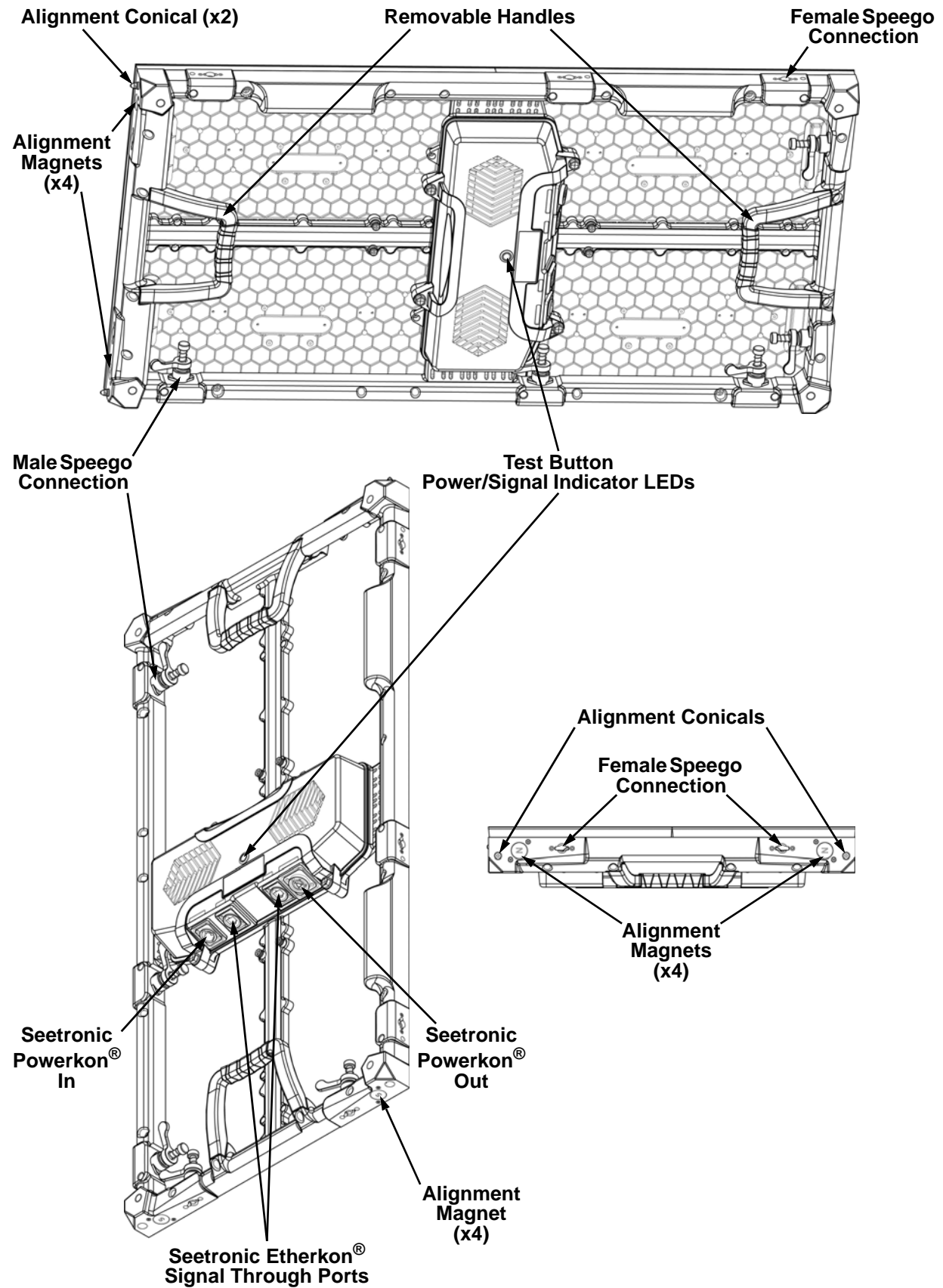
Optional Accessories

- ArKaos Media Master Express + KN software
- F-Series Rig Bar (RB-F50CM, RB F100CM)
- VIP Drive 21N (alternative NovaStar driver)

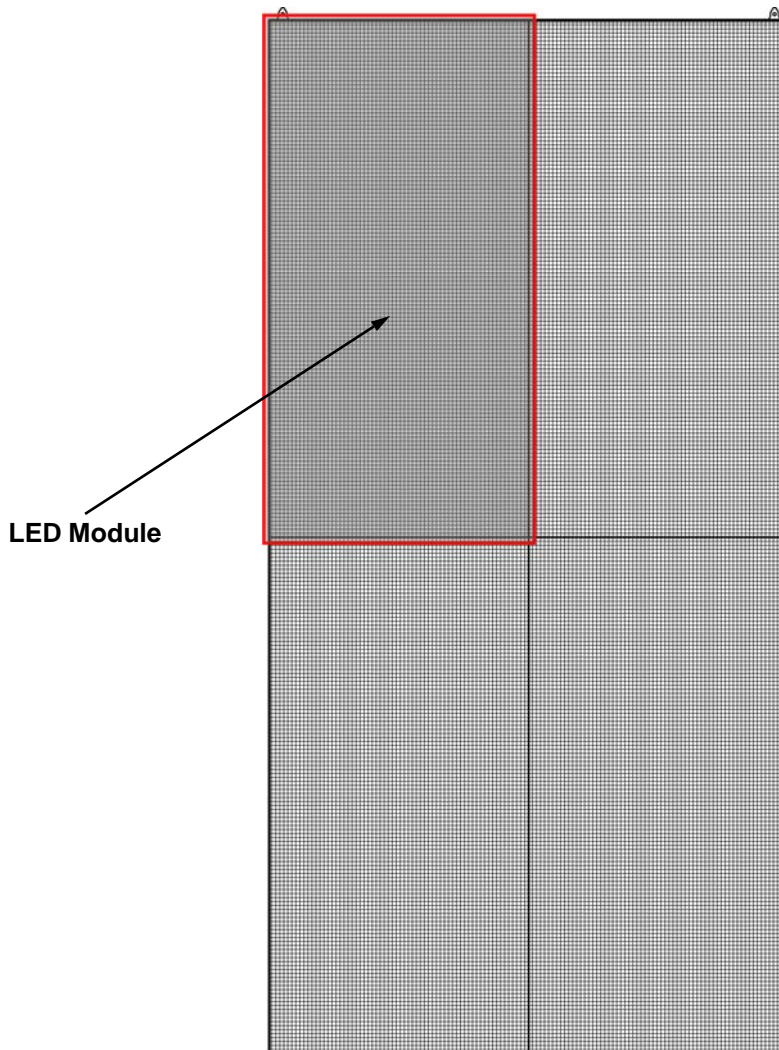
Available Signal and Power Cables

- Signal cables (Neutrik® etherCON® CAT6 Signal Extensions)
 - ETHERCONEXT18IN
 - ETHERCONEXT5FT
 - ETHERCONEXT10FT
 - ETHERCONEXT25FT
 - ETHERCONEXT50FT
- Power cables (Neutrik® powerCON® Power Extensions)
 - POWERCONEXT18IN
 - POWERCONEXT5FT
 - POWERCONEXT10FT
 - POWERCONEXT25FT
 - POWERCONEXT50FT

Product Overview



Pixels per Panel



Each pixel is 1 tri-color LED. The following table provides the pixels per panel in each Vivid 4. For detailed specifications, refer to the [Technical Specifications](#) table at the end of this User Manual.

Parameter	Vivid 4
Pixels per Panel	104 x 208
Total Pixels per Panel	21,632
Pixels per LED Module	52 x 104
Total Pixels per LED Module	5,408
LED Module Dimensions	250 x 500 mm

To calculate the number of panels, horizontally and vertically, supported by a single Vivid Drive 23N, you will use:

- The number of pixels per panel.
- The screen resolution you would like to use for your video wall display.



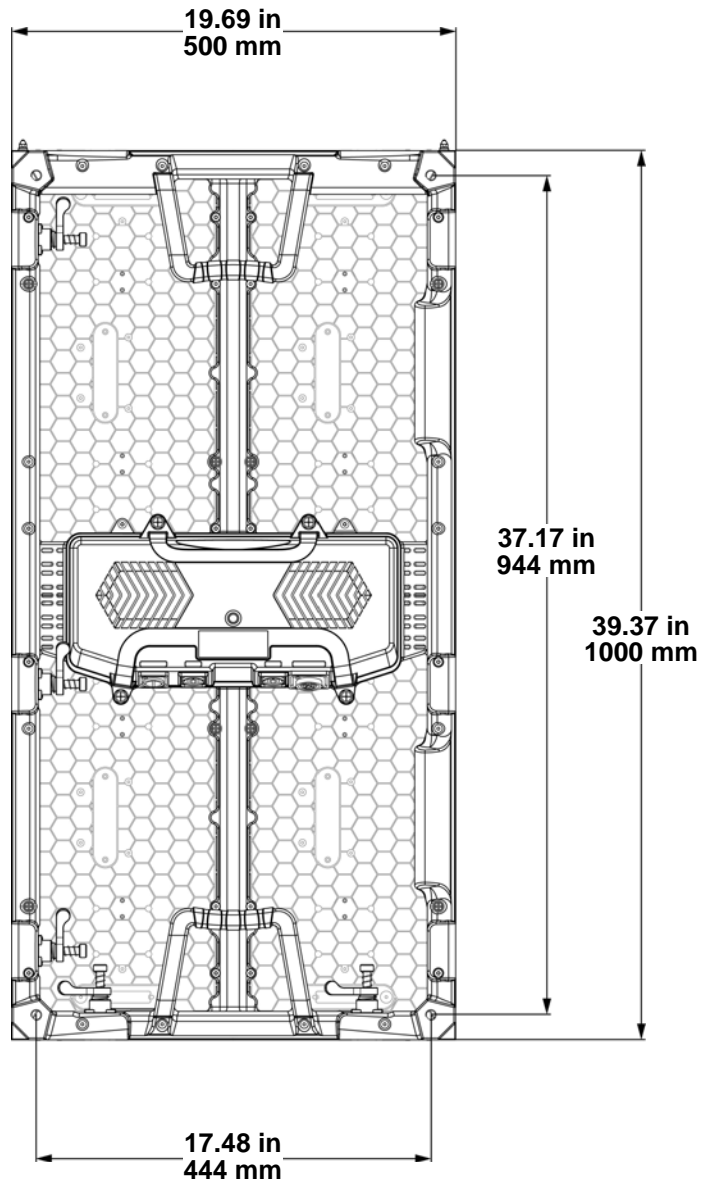
The Vivid Drive 23N is required to operate a Vivid 4 video wall system. Diagrams of how the Vivid 4 panels and the Vivid Drive 23N connect follow later in this manual. For detailed information about the Vivid Drive 23N and panel calculation examples, refer to the Vivid Drive 23N User Manual.

Product Dimensions

1.34 in
34 mm



2.56 in
65 mm



3. Setup

AC Power

Each Vivid 4 has an auto-ranging power supply that works with an input voltage range of 100 to 240 VAC, 50/60 Hz. To determine the power requirements for each Vivid 4, refer to the label affixed to the product. You can also refer to the [Technical Specifications](#) chart in this manual.

The listed current rating indicates the maximum current draw during normal operation. For more information, download Sizing Circuit Breakers from the Chauvet website: www.chauvetdj.com.



- **Always connect the product to a protected circuit (circuit breaker or fuse). Make sure the product has an appropriate electrical ground to avoid the risk of electrocution or fire.**
- **To eliminate unnecessary wear and improve its lifespan, during periods of non-use completely disconnect the product from power via breaker or by unplugging it.**



Never connect the product to a rheostat (variable resistor) or dimmer circuit, even if the rheostat or dimmer channel serves only as a 0 to 100% switch.

AC Plug

Each Vivid 4 comes with a power linking cord to connect power between panels and a power input cord. This cable has a Seetronic Powerkon[®] connector to connect to the Vivid 4 and an Edison plug for power input.

Power Linking

All Vivid 4 panels support power linking. Refer to the following table for specifications on each panel.

Voltage	Vivid 4 Products
@ 120 V, 60 Hz	7
@ 230 V, 50 Hz	13



Please refer to all applicable local codes and regulations for the proper installation of this product.

4. Mounting

Orientation

Each Vivid 4 is constructed of a die-cast magnesium alloy. This ensures each panel is stable and easy to install. Each panel also has a convenient built-in handle located on the top and bottom, backside of the panel along with two alignment conicals on the top. This combination enables you to easily pick up and securely hold each panel while mounting and working with the panels.

The Vivid 4 can be assembled to provide any number of modular designs. The panels on the top can be securely hung from a truss or other stable surface. Always hang in a safe position with adequate space for ventilation, configuration, and maintenance.

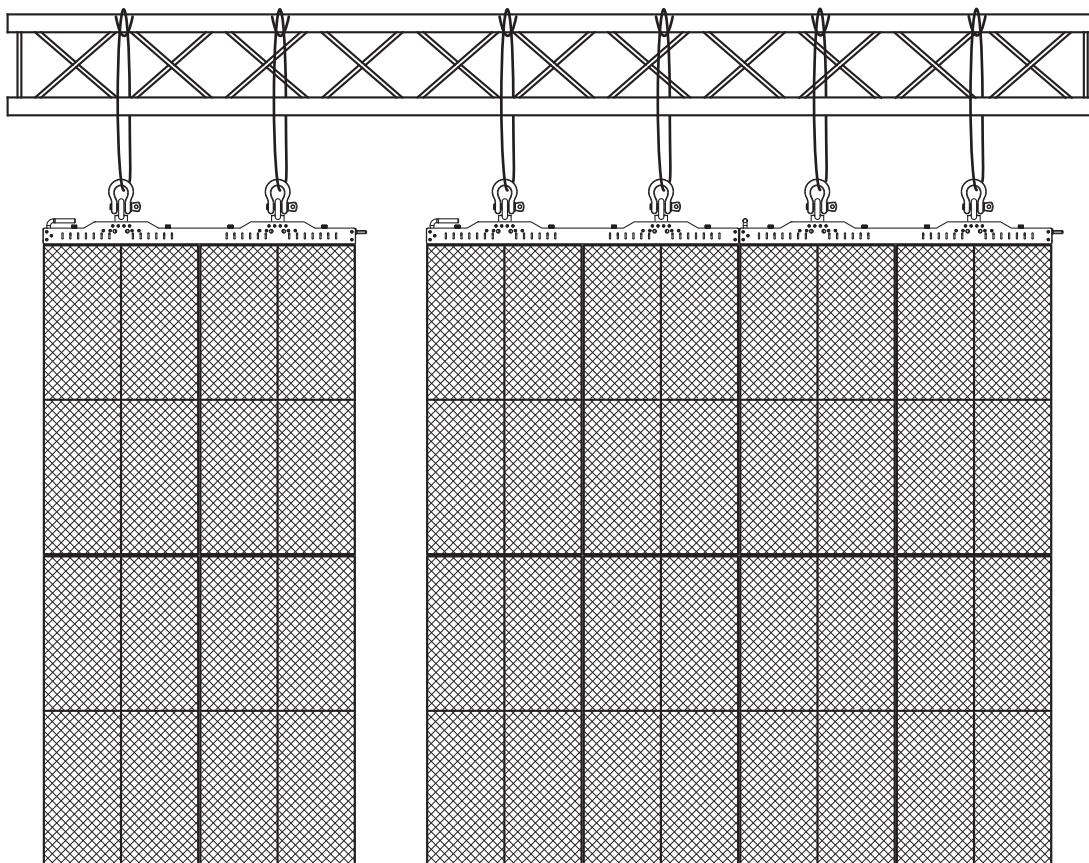
Chauvet recommends following the general guidelines below.

- When selecting an installation location, consider ease of access for operation and routine maintenance.
- Make sure to hang away from any flammable material, as indicated in the [Safety Notes](#) section.
- Never mount in places where rain, extreme temperature changes, or restricted ventilation may affect it.
- Make sure that the structure and attachment points to which you are hanging the panels can support the weight.
- Make sure that all load-bearing hardware used can support the weight.
- See the [Technical Specifications](#) for the weight requirement of each Vivid 4.

Truss Installation

Refer to the following diagram for truss installation. Chauvet offers the F-Series Rig Bar (sold separately) specifically designed for hanging the panels.

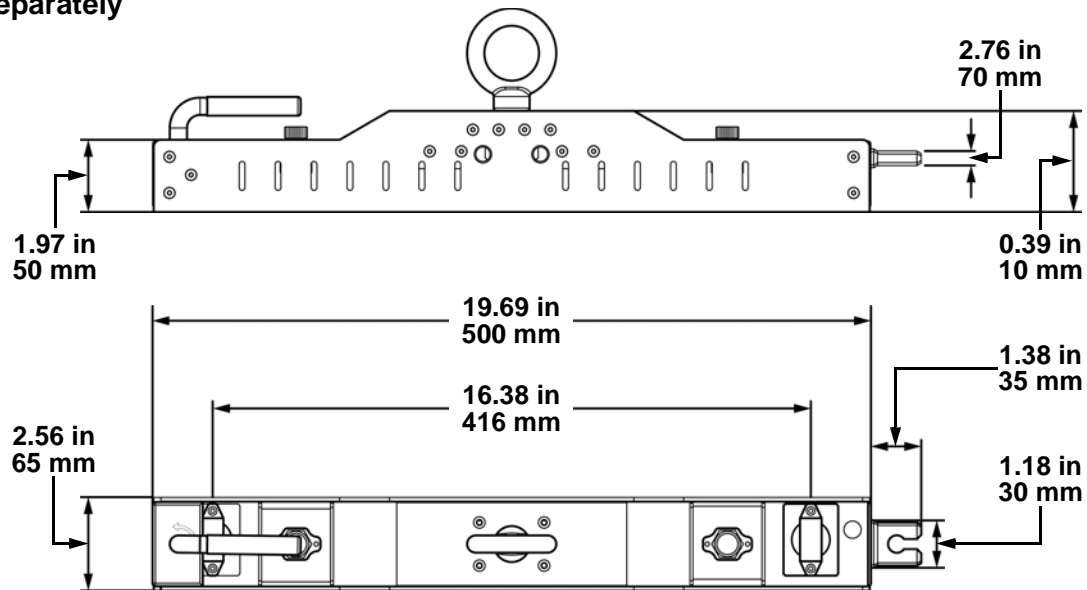
Attach to Truss Using Optional F-Series Rig Bar



The illustrations above are examples only. Please refer to all applicable local codes and regulations for the proper installation of the product.

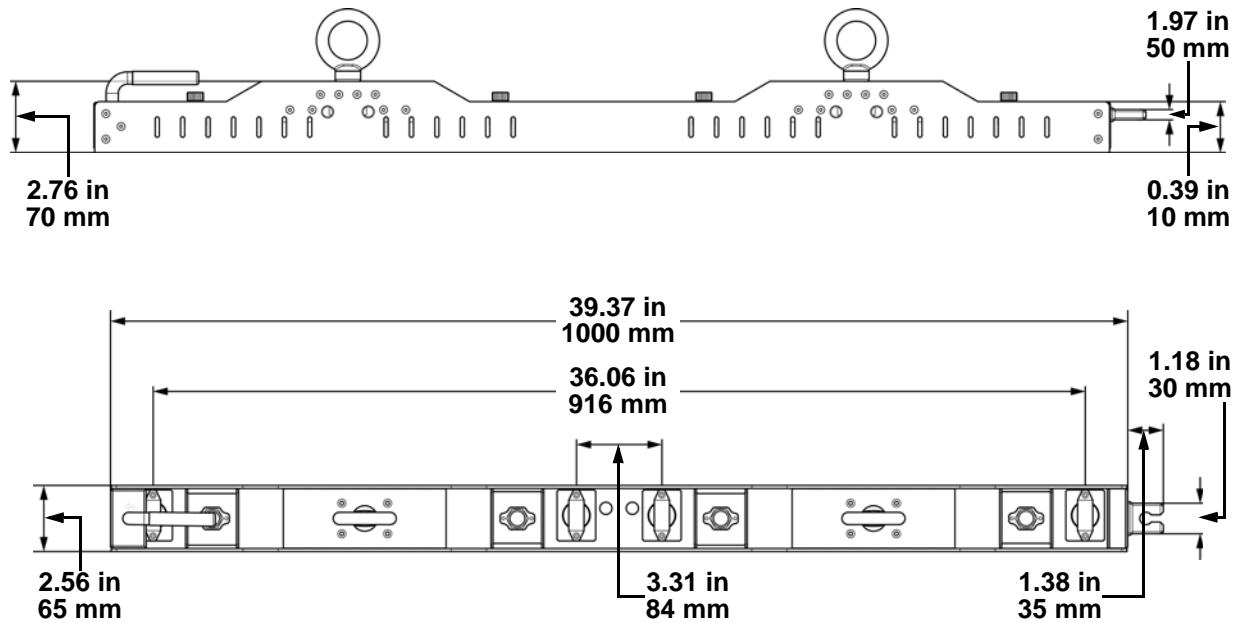
RB-F50CM Rig Bar Dimensions

Sold Separately

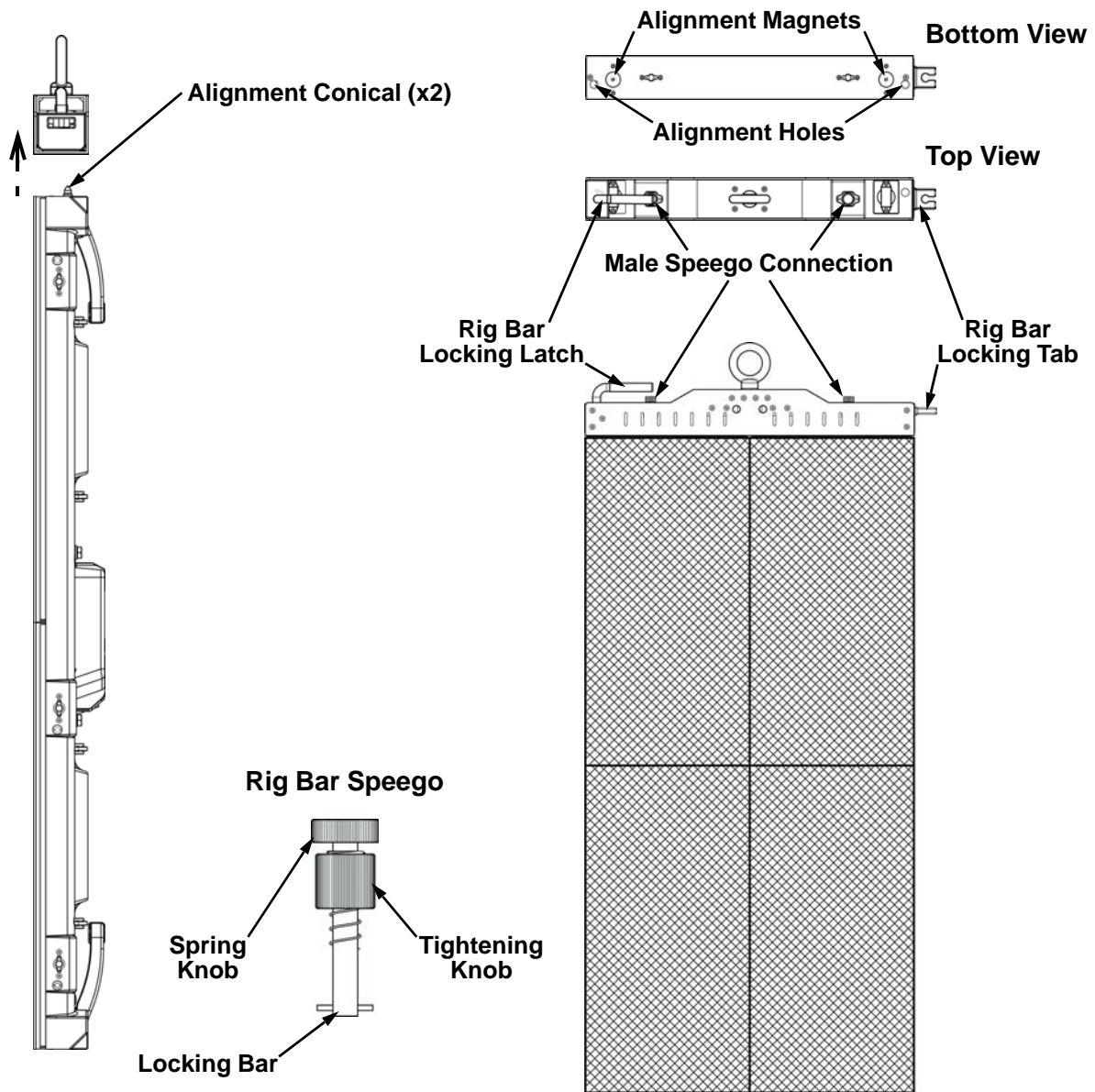


RB-F100CM Rig Bar Dimensions

Sold Separately



Rig Bar/Panel Assembly



1. Insert alignment conicals into the alignment holes and allow magnets to connect.
2. Insert the Rig Bar Speego locking bars into the female Speego connections on the Vivid 4.
3. Twist the spring knob on the Rig Bar Speego by 90°, until it locks into place.
4. Twist the tightening knob clockwise until Vivid 4 is secure to Rig Bar.
5. To detach the Rig Bar from the Vivid 4, reverse the previous steps.

- The alignment magnets on the Vivid 4 and F-Series Rig Bar are designed to temporarily hold the weight of the panel to allow the user to properly align and tighten the panel into place.

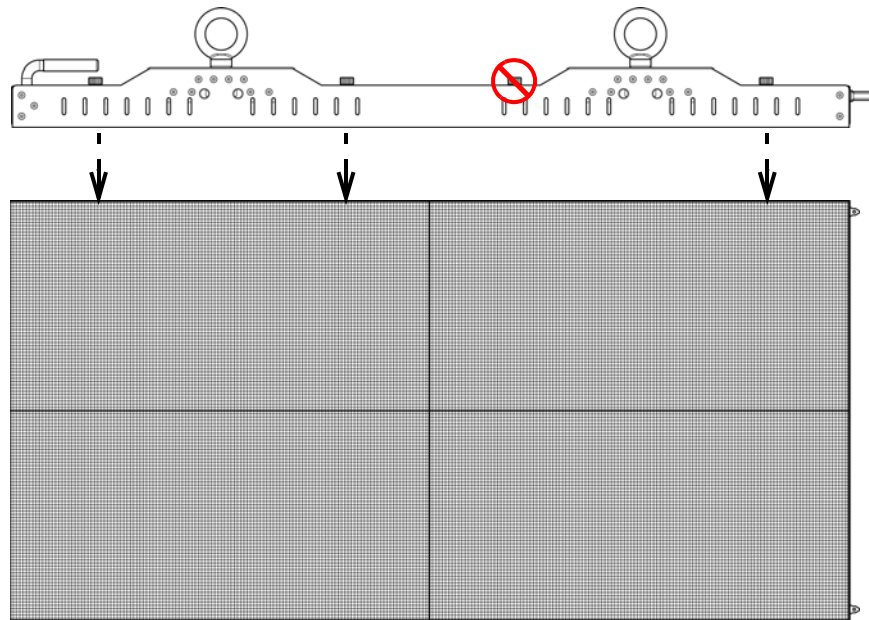


- Either side of the Vivid 4 with female Speego connections can attach to the F-Series Rig Bar, but only the short side has alignment conicals and magnets. When attaching the long side of the Vivid 4 to the Rig Bar, take care to ensure that the pixels across the video assembly are aligned properly.



Warning! The magnetic attachments are not load-bearing, and are intended for alignment assistance only. Do not release panel until the hanging hardware has been fully secured.

Alternative Rig Bar/Panel Assembly



The Vivid 4 can be mounted horizontally with the RB-F100CM Rig Bar. Follow the same instructions as in [Rig Bar/Panel Assembly](#), but take extra care, as the long side of the product has neither alignment conicals nor magnets.

When mounting horizontally with the RB-F100CM, one of the Rig Bar Speegos will not be used.

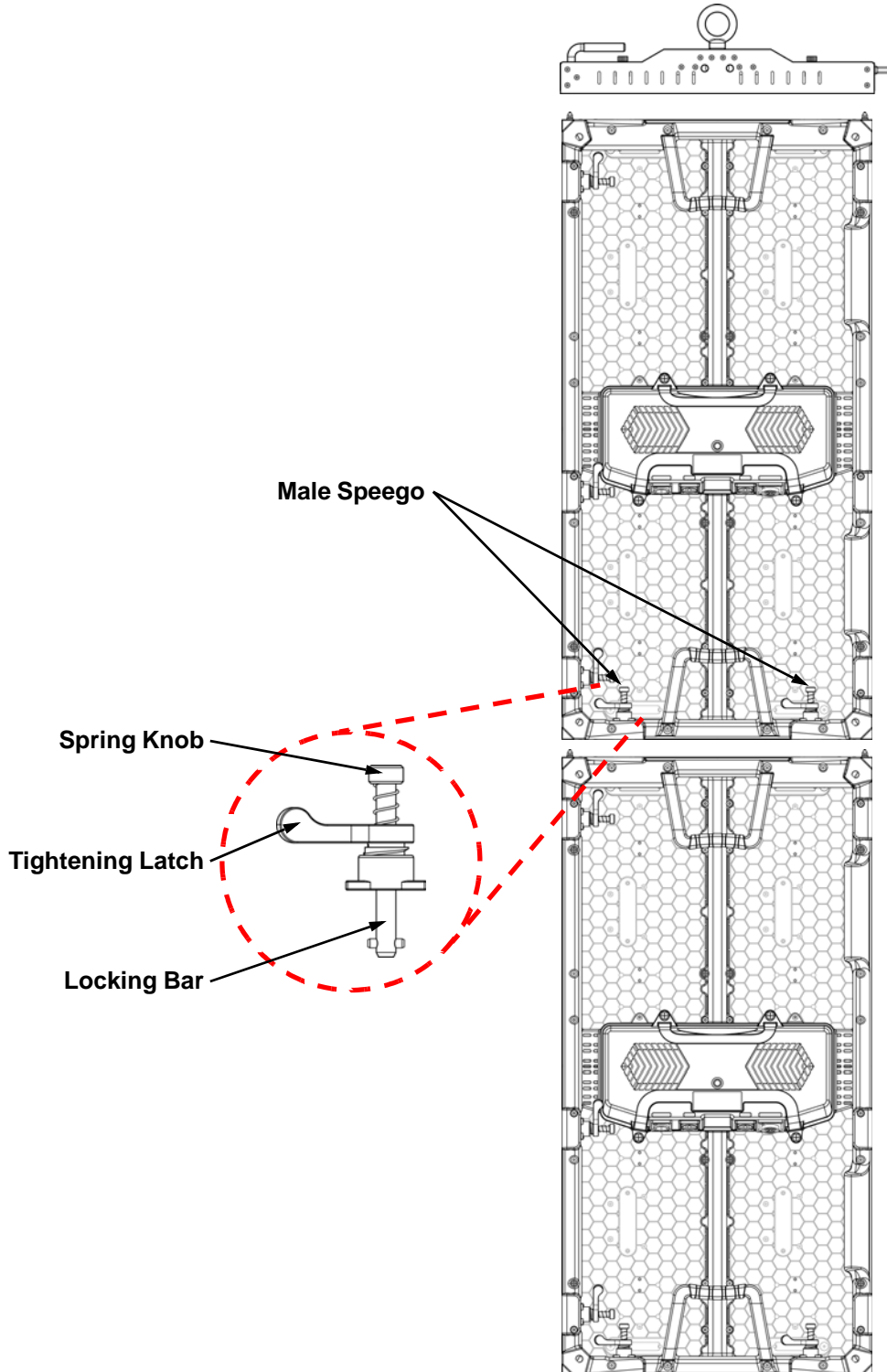
Mounting to Truss with Chauvet CT-APP

The Vivid 4 (with F-Series Rig Bar) can be mounted to truss using the CT-APP from TRUSST®. See the Quick Reference Guide for the CT-APP at trusst.com for more information.

5. Creating a Modular Design

Vertically Joining the Panels

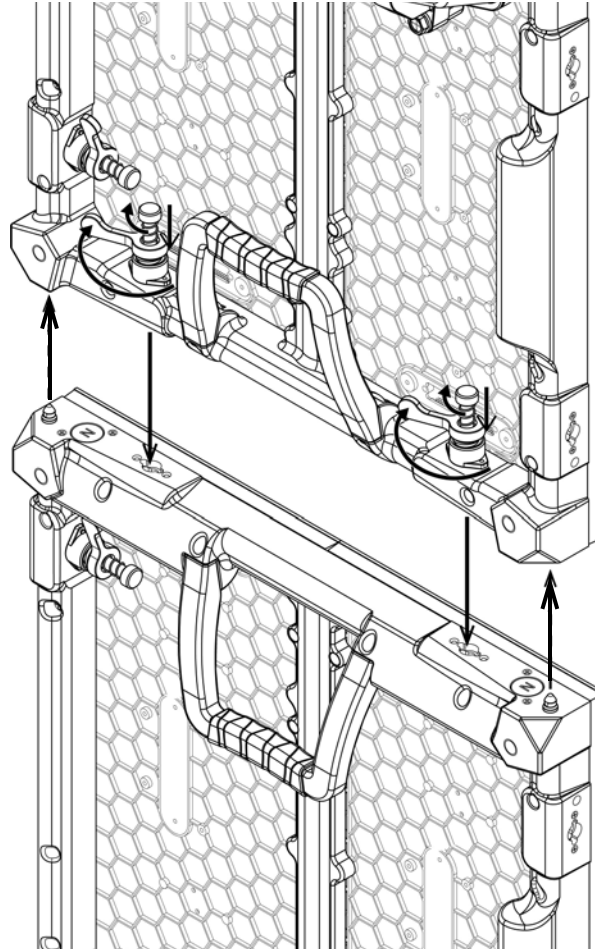
Each Vivid 4 can be easily joined vertically to a truss using an optional rig bar and the 2 female Speego connections located at the top corners of each panel. Use the male Speego connections at the bottom of each panel to connect additional panels. These connectors stay recessed when not being used.



Vertical Panel Connection

Use the following instructions to join panels vertically:

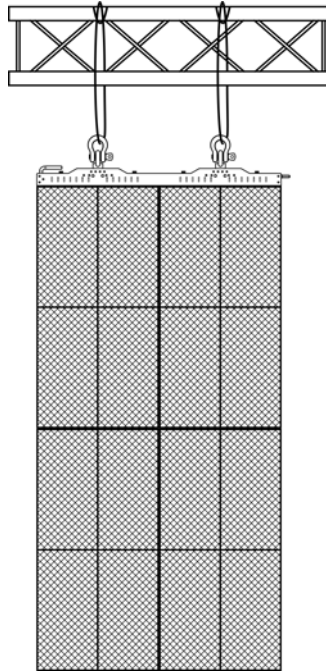
1. Line up the alignment conicals at the top of each panel, and the alignment magnets at the top and bottom of each panel.
2. Push male Speego connections into female Speego connections.
3. Turn the spring knobs clockwise 90°.
4. Turn the tightening latches clockwise 180°, until secure.



Warning! The magnetic attachments are not load-bearing, and are intended for alignment assistance only. Do not release panel until the hanging hardware has been fully secured.

Horizontally Joining the Panels

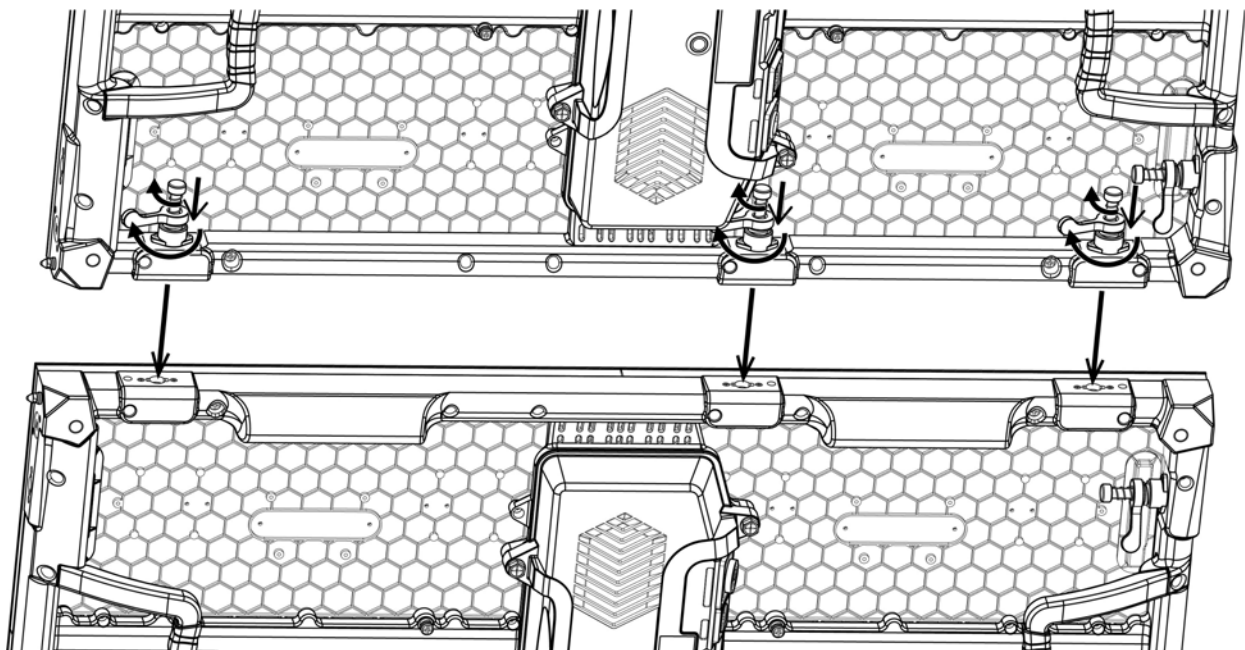
Each Vivid 4 can be easily joined horizontally using the Speego connections on the inside, upper and lower left sides of each panel.



Horizontal Panel Connection

Use the following instructions to join panels horizontally:

1. Align each of the panels' male Speego connections with the corresponding female connections on the panels being added.
2. Push male Speego connections into female Speego connections.
3. Turn the spring knobs clockwise 90°.
4. Turn the tightening latches clockwise 180°, until secure.



6. Connecting and Cabling

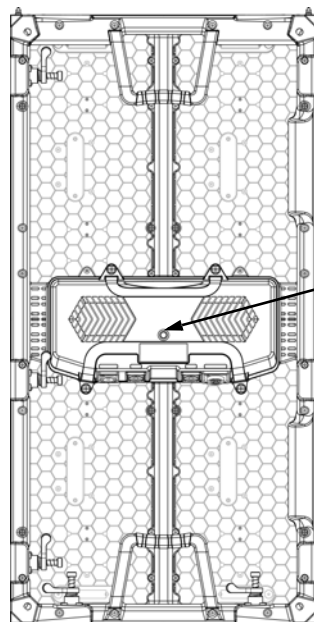
Testing Signal and Power Connections

Each Vivid 4 has 2 power sockets and 2 signal ports.

- The Power and Signal connections are located on the underside of the service module of each panel.
- The Signal ports may be used interchangeably.
- Each Vivid 4 has LED indicator lights on the test button in the center of the panel.
- Each panel indicates a successful power connection when the Power indicator light remains red.
- Each panel indicates the presence of a signal when the Signal LED indicator light blinks green quickly. When the LED blinks green slowly, there is no signal.

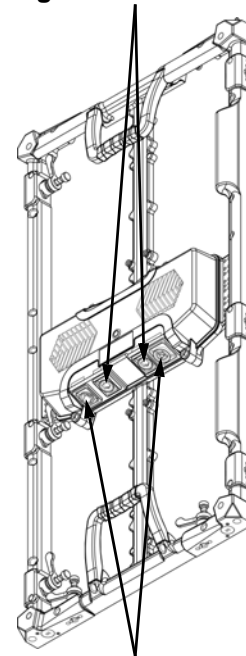
Rear Panel View

Underside of Service Access View



**Test Button
Power/Signal
Indicator LEDs**

Signal Connections



Power In/Out

Using the Vivid 4 Test Button

Each Vivid 4 has a Test button, used to ensure all LEDs are functional. Use the Test button on each panel to perform a self-test. If self-testing, you must perform the test individually for each Vivid 4. You do not need to connect to a signal or use software.



When using the Test button, make sure the Vivid 4 is NOT connected to the Vivid Drive 23N.

To use the Test button, you must connect the power, but do not connect the signal cables. Press the Test button to toggle through various LED light display configurations.

Connecting Power and Signal Cables

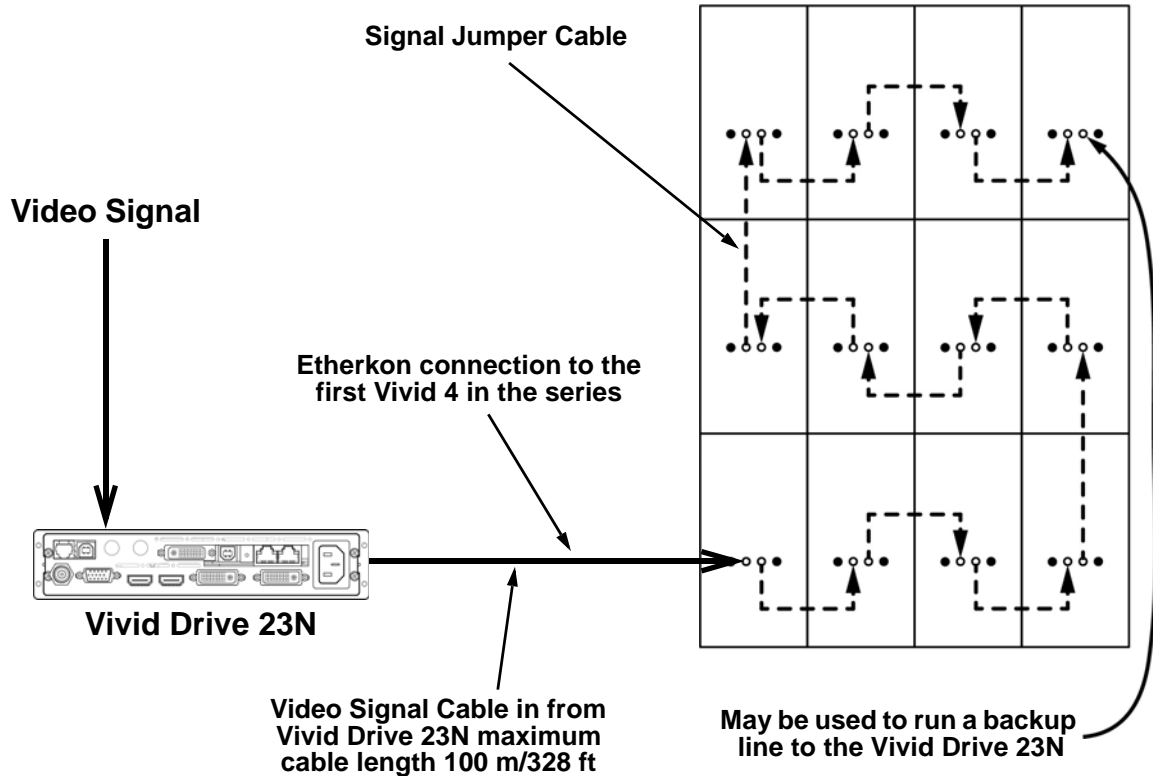
The following sections provide information and diagrams on connecting signal and power between panels. Refer to the [Introduction](#) or [Operation](#) sections in this User Manual for available cables and item numbers.

Connecting the Signal Between Joined Panels

Signal cable panel connections can use several different configurations. The basic configuration to connect the signal from one panel to the next is as follows:

1. The source signal is connected to the first panel.
2. A signal cable is then connected from the first panel.
3. The connections continue to daisy-chain until all panels are connected.
4. The route of the cables used to make the signal connections can vary.

The following diagram is a recommended suggestion for simple signal connections between panels.



Connecting the Power Between Joined Panels

Power cable panel connections can also use different configurations. The basic configuration to connect the main power supply from one panel to the next is:

1. The main power is connected to the first panel's Power Input or Output.
2. A power cable is then connected to the first panel's Power Output and connected to the next panel's Power Input.
3. The connections continue until all panels are connected.

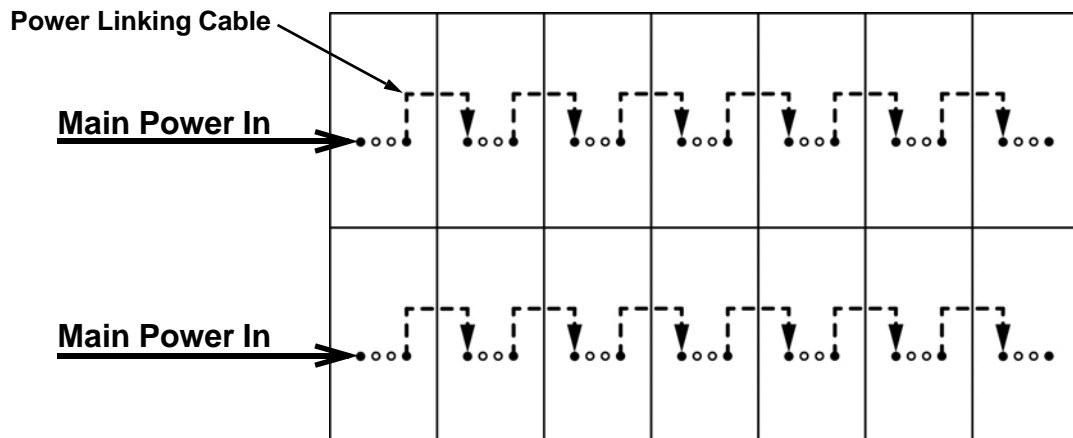
Connect power between the panels using the same procedure as the signal only using the Power Input and Power Output connectors. You must adhere to the power-linking specifications for each Vivid 4 model. Refer to the [Power Linking](#) section for details on the number of panels that can be linked based on voltage from a single power connection.



Power linking more panels than recommended will void your warranty and increase the risk of electrocution or fire!

Refer to the following diagram for an example of power connection from the main and to each connected panel.

This example is using an Vivid 4 power linking 7 panels horizontally at 120 V.



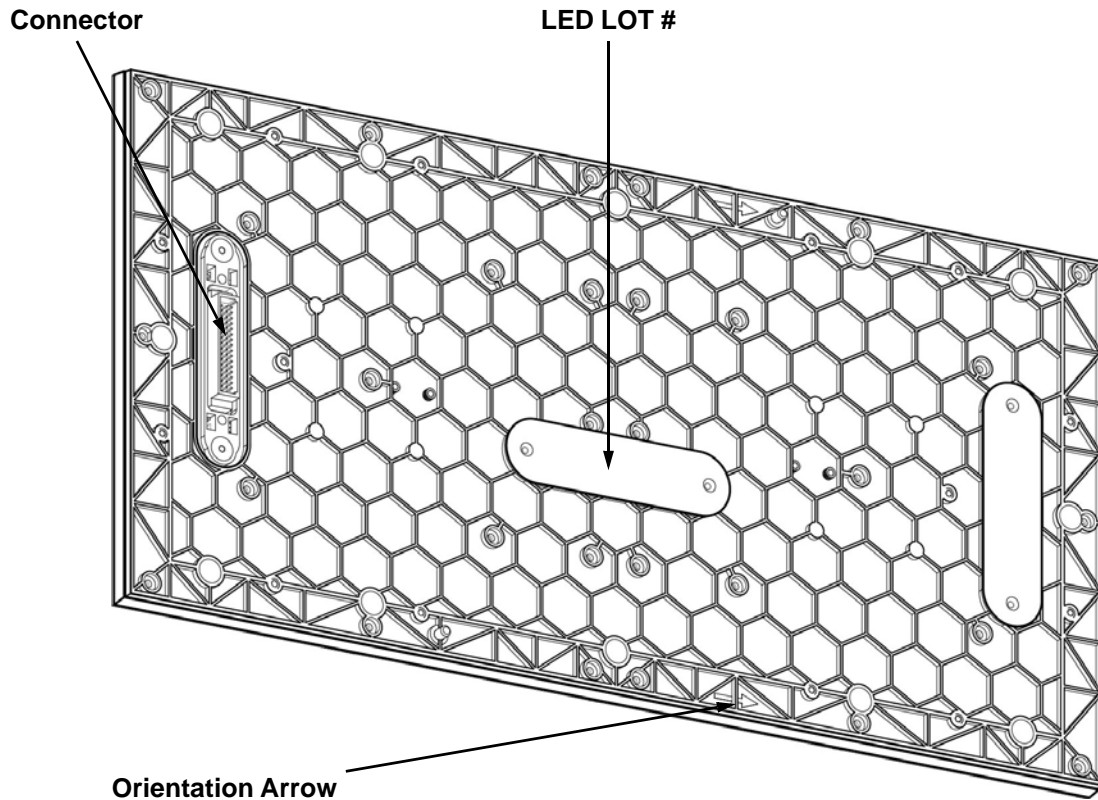
7. LED Module Care and Replacement

Vivid 4 Module

Each Vivid 4 has 4 LED modules connected to the panel frame by screws. Each module has a single connector that connects to the main processing unit.

LED Lot Numbers

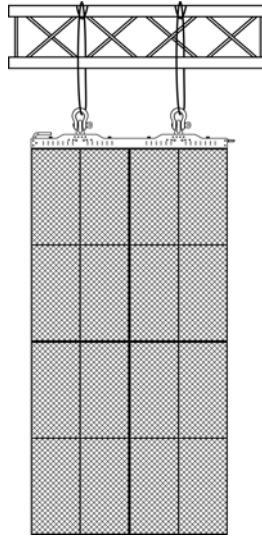
To ensure consistent color matching and output, replace damaged or defective modules with the same LED lot # as the others on the panel. When combining panels to create full video wall systems (rentals, permanent installations, etc.) it is highly recommended that the LED lot #'s on each of the panels match. LED lot #'s can be located on the back of each module.



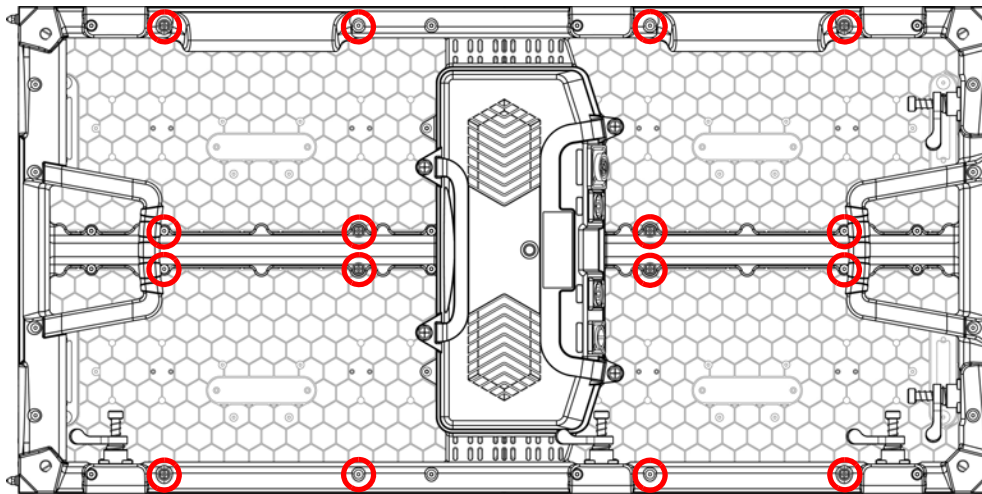
A and B Modules

The Vivid 4 has 2 types of modules, designed to only plug in to the Service Module from one direction. Check where the connector is when the orientation arrows are pointing up to determine whether the module is an A type (top half, connector down) or a B type (bottom half, connector up).

Vivid 4 LED Module Removal



1. Identify the module that needs to be removed.
2. Remove that panel from the video wall assembly and place it front-down on a flat surface.



3. Remove the 4 screws securing the selected module with a Phillips-head screwdriver.
4. With steadily increasing force and taking care not to damage the connector, push the module away from the frame until the connector detaches.



Use caution when removing the module so as not to damage the connector attached to the back of the module.

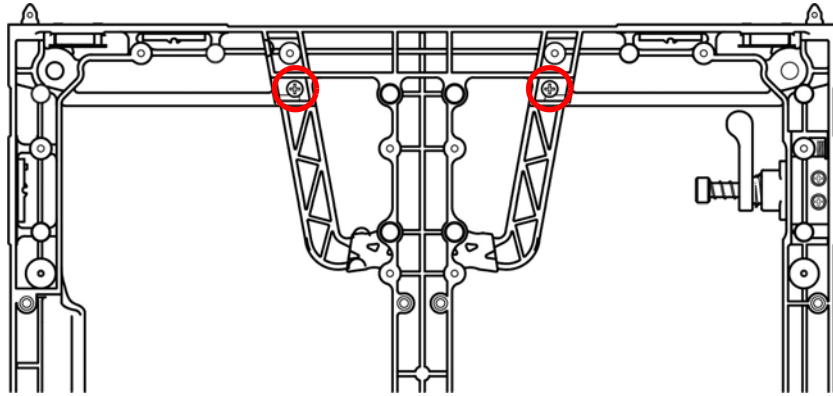
5. Reverse the steps to install the replacement module.

8. Panel Configuration

Removing and Installing the Handles

The Vivid 4 comes with 2 handles that can be removed if desired.

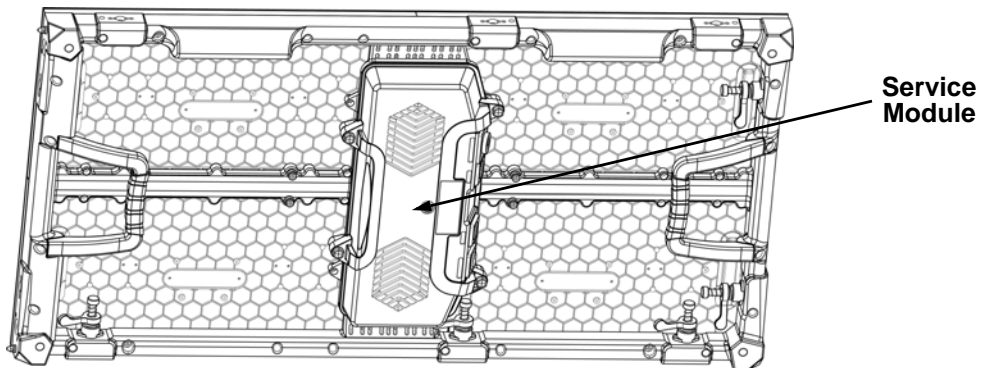
1. Remove the modules from the panel as described in [LED Module Care and Replacement](#).
2. From the front of the panel, remove the 2 screws securing the handle to the product with a Phillips-head screwdriver.



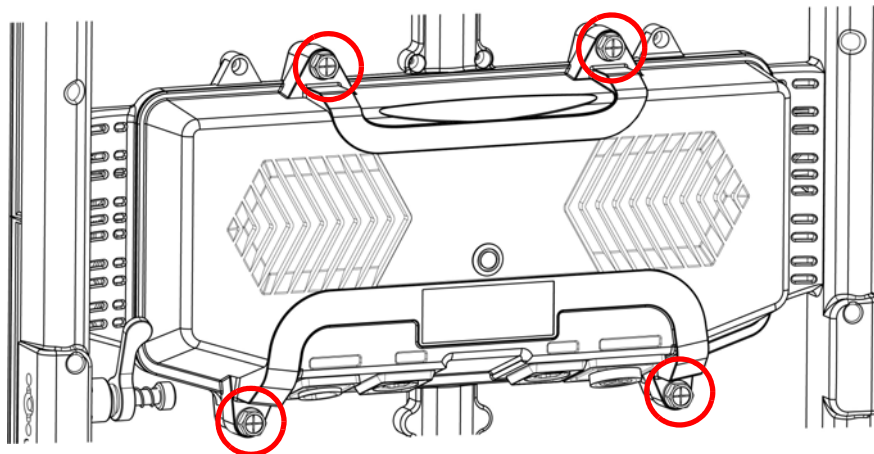
3. Reinstall the modules.
4. Reverse the steps to re-install the handles.

Accessing the Service Module

The Vivid 4 service module can be accessed and serviced from the rear of the panel.



To access the Vivid 4 service module, remove the 4 screws indicated in the diagram below.



Use caution when removing these screws, as the cover of the service module will be detached from the panel frame. All components in the service module are attached to the cover.

9. Typical Installation

Because a video wall system can include different components to provide a simple to complex modular wall design, use the following steps as a general guide to get started.

Step 1

Open and examine the Vivid 4 road case to make sure you have received all products and accessories and that each one is in good condition.

Step 2

Apply power and run the self-test for each Vivid 4 to ensure all LEDs and inside connections in each panel are working (optional).

Step 3

Create a stable mounting surface (e.g., truss or other stable surface) for Vivid 4 mounting.

Step 4

Mount the first top row of the Vivid 4s. Refer to the [Mounting](#) section in this User Manual.

Step 5

Adjust the alignment of the first row using the Speego connectors.

Step 6

Connect the signal source to the Vivid Drive 23N.

Step 7

Connect the Vivid Drive 23N to the Signal port of the first panel in your connection chain.

Step 8

Based on your video wall configuration (design), join each panel, either horizontally or vertically, using the instructions in the section [Joining Each F4 IP \(Creating a Modular Design\)](#).

Refer to the instructions and information in the section of this User Manual, [Connecting and Cabling](#).

10. Operation

Additional Hardware and Software

In addition to the panels, you will need other hardware and software to design, build, and operate your Vivid 4 video wall system. The following table summarizes these additional items—some are required and others are optional.

Item	Description
Vivid Drive 23N	Interface between the signal source, NovaLCT-Mars, and the Vivid 4 being used
NovaLCT-Mars	Software application used to design and run the Vivid 4s comprising the video wall. A PC is needed
F-Series Rig Bar (optional)	Provides hardware needed to mount Vivid 4
Neutrik® etherCON® Signal Extension (optional)	Neutrik etherCON CAT6 extension cable, 18 in. Neutrik etherCON CAT6 extension cable, 5 ft Neutrik etherCON CAT6 extension cable, 10 ft Neutrik etherCON CAT6 extension cable, 25 ft Neutrik etherCON CAT6 extension cable, 50 ft
Neutrik® powerCON® Extension (optional)	Neutrik powerCON extension, 18 in Neutrik powerCON extension, 5 ft Neutrik powerCON extension, 10 ft Neutrik powerCON extension, 25 ft Neutrik powerCON extension, 50 ft
VIP Media System	Rack mountable video computer system
ArKaos MediaMaster	Video playback software

About NovaLCT-Mars

NovaLCT-Mars is a powerful and easy-to-learn software application used to design and run the Vivid 4 video wall system. The following is some introductory information about this software.

Refer to the Vivid Drive 23N User Manual for detailed information and instructions on setting up and using NovaLCT-Mars with your Chauvet Vivid 4 video wall system.

Description

NovaLCT-Mars enables you to create and control your video wall by addressing the panels included in your video wall including pixel pitch and layout.

Once you have physically created your modular video wall design by joining the panels, connecting power, signals, and the Vivid Drive 23N, you recreate that design within NovaLCT-Mars.

Detailed information and instructions are in the Vivid Drive 23N User Manual.



Chauvet does not recommend using NovaLCT-Mars for live show playback. For this purpose, Chauvet offers Arkaos MediaMaster, which offers numerous playback triggers, including DMX, Art-Net, MA-net, MIDI, and QWERTY.

11. Technical Information

Vivid 4 Maintenance

To maintain optimum performance and minimize wear, the user should clean this product regularly. Usage and environment are contributing factors in determining the cleaning frequency.

As a rule, clean this product at least twice a month. Dust build-up reduces light output performance and can cause overheating. This can lead to reduced light source life and increased mechanical wear.

To clean a Vivid 4, follow the recommendations below:

1. Unplug the panel from power.
2. Wait until the product is at room temperature.
3. Use a soft brush to remove dust collected on the external components.
4. Wipe the outside of the LED Modules with a soft, lint-free cloth dampened with a solution of water and detergent. Apply gentle pressure only.
5. Make sure all connections are thoroughly dry before reconnecting power and signal cables.



Always dry the external surfaces carefully after cleaning them.

Returns

You must send the product prepaid, in the original box, and with the original packing and accessories. Chauvet will not issue call tags.

Call Chauvet and request a Return Merchandise Authorization (RMA) number before shipping the product. Be prepared to provide the model number, serial number, and a brief description of the cause(s) for the return.

To submit a service request online, go to www.chauvetdj.com/service-request.

Clearly label the package with an RMA number. Chauvet will refuse any product returned without an RMA number.



DO NOT write the RMA number directly on the box. Instead, write it on a properly affixed label.

Once you have received the RMA number, include the following information on a piece of paper inside the box:

- Your name
- Your address
- Your phone number
- The RMA number
- A brief description of the problem(s)

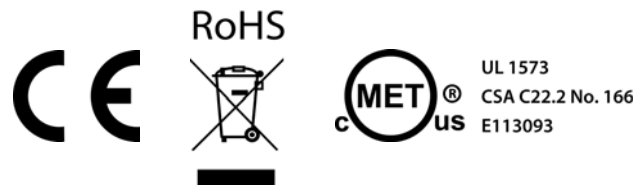
Be sure to pack the product properly. Any shipping damage resulting from inadequate packaging will be the customer's responsibility. FedEx packing or double-boxing is recommended.



Chauvet reserves the right to use its own discretion to repair or replace returned product(s).

12. Technical Specifications

Light Source	Tri-color RGB SMD 1921 LED
Pixels per Panel	140 x 208 (21,632 total)
Pixel Pitch (between LEDs)	4.8 mm
Pixel Density	43,264/m ²
Display Refresh Rate	1,920 Hz
Viewing Angle	120°
Calibrated Illuminance	1,000 NITS
Maximum Illuminance	1,200 NITS
Red Wavelength	615 to 625 nm
Green Wavelength	516 to 530 nm
Blue Wavelength	460 to 475 nm
Power Supply Type	Switching
AC Voltage Range	100–240 VAC, 50/60 Hz
Voltage Selection	Auto-ranging
Power Consumption 120 V, 60 Hz	280 W, 2.3 A
Power Consumption 230 V, 50 Hz	280 W, 1.2 A
Power Linking @ 120 V, 60 Hz	7 units
Power Linking @ 230 V, 50 Hz	13 units
Dimensions	19.7 x 1.9 x 39.4 in (500 x 65 x 1000 mm)
Weight	27.6 lb (12.5 kg)
Transparency	0%
Housing Material	Die-cast Magnesium Alloy
Power Connection	Seetronic powerKON®
Data Connection	Seetronic etherKON®
Item Name	VIVID4X4
Item Code	23091329
UPC Number	781462216771



1. Antes de empezar

Qué va incluido

- 4 Vivid 4
- 1 cable de alimentación Seetronic powerKON® IP65
- 4 cables de enlace de alimentación Seetronic powerKON® IP65
- 4 cables de enlace de señal Seetronic etherKON® IP65
- Maleta de transporte
- Tarjeta de garantía
- Manual de usuario

Reclamaciones

Inmediatamente después de recibirlo, desembale este producto con cuidado y compruebe el contenedor. Asegúrese de que ha recibido todas las partes que se indican arriba en buenas condiciones.




A su recepción, si el continente o el contenido (el producto y los accesorios incluidos) parecen dañados a causa del transporte o muestran signos de manipulación inadecuada, notifíquesele inmediatamente al transportista, y no a Chauvet. Si no lo hace oportunamente, puede quedar invalidada su reclamación al transportista. Además, guarde la caja y todo el material de embalaje para su inspección.

Para otras incidencias, como componentes o piezas que falten, daños no relacionados con el transporte o daños no evidentes, presente una reclamación a Chauvet en el plazo de 7 días de la recepción de la mercancía.

Convenciones del manual

Convención	Significado
1–512	Un rango de valores en el texto
50/60	Un conjunto de valores mutuamente excluyentes en el texto
Settings	Una función del producto o una opción de menú
<ENTER>	Un botón en el panel de control del producto

Símbolos

Símbolo	Significado
	Instalación, configuración o información crítica sobre el funcionamiento. El incumplimiento de esta información puede causar que el producto no funcione, que se averíe, u ocasionar daños al usuario.
	Instalación o información de configuración importante. Hacer caso omiso de esta información puede hacer que el producto no funcione.
	Información útil.

Exención de responsabilidad

Chauvet cree que la información contenida en este manual es exacta en todos los aspectos. Sin embargo, Chauvet no asume responsabilidad alguna, y queda exenta específicamente de todas y cada una de las responsabilidades y obligaciones, de la clase que sean y para con cualquier parte, por pérdida, perjuicio o trastorno causados por cualquier error u omisión en este documento, tanto si tales errores y omisiones se deben a negligencia o accidente como a cualquier otra causa. Chauvet se reserva el derecho a revisar el contenido de este documento sin ninguna obligación de notificar dicha revisión a ninguna persona o empresa; sin embargo, Chauvet no está en absoluto obligado a hacerlo así, ni se compromete a realizar revisión alguna. Descargue la última versión de www.chauvetdj.com.

Las obras de autoría contenidas en este manual, incluyendo, pero sin limitarse a ellas, todos los dibujos, textos e imágenes, son propiedad de Chauvet.

© Copyright 2017, Chauvet & Sons, LLC. Todos los derechos reservados.

Publicado en formato electrónico por Chauvet en los Estados Unidos de América.

CHAUVET, el logotipo de Chauvet y Vivid 4 son marcas comerciales o marcas registradas de Chauvet & Sons, LLC (con nombres comerciales Chauvet y Chauvet Lighting) en los Estados Unidos y otros países. Otras empresas, nombres de productos y logotipos a los que se haga referencia aquí pueden ser marcas comerciales de sus respectivas empresas.

Notas de seguridad



- Conecte siempre el producto a un circuito con toma de tierra para evitar el riesgo de electrocución.
- Evite la exposición directa de los ojos a la fuente de luz mientras es producto esté encendido.
- Asegúrese de que el cable de alimentación no está retorcido ni estropeado.
- Nunca desconecte este producto agarrando o tirando del cable de alimentación.
- Si monta el producto en alto, asegure siempre a un dispositivo de seguridad usando cable de seguridad.
- Asegúrese de que no hay materiales inflamables cerca de este producto cuando esté en funcionamiento.
- No toque la carcasa del producto cuando esté en funcionamiento, porque podría estar muy caliente.

- Asegúrese siempre de que conecta este producto a la tensión adecuada, en concordancia con las especificaciones de este manual o de la etiqueta de especificación del producto.
- ¡El producto es para uso en interiores solamente! (IP30) Para evitar riesgos de incendio o descarga, no exponga el producto a la lluvia o la humedad.
- Monte este producto en una ubicación con ventilación adecuada, al menos a 20 in (50 cm) de superficies adyacentes.
- Asegúrese de que ninguna ranura de ventilación en la carcasa del producto queda bloqueada.
- Nunca conecte este producto a un regulador de intensidad o reostato.
- No mueva nunca el producto tirando del cable de alimentación.
- La temperatura ambiente máxima es de 104 °F (40 °C). No haga funcionar el producto a temperaturas más altas.
- ¡En caso de un problema grave de funcionamiento, deje de usar este producto inmediatamente!
- Nunca intente reparar el producto. Las reparaciones llevadas a cabo por personal no cualificado pueden provocar averías o funcionamiento defectuoso. Póngase en contacto con el centro de asistencia técnica autorizado más cercano.
- Para evitar un desgaste innecesario y alargar su vida útil, desconecte completamente el producto de la alimentación mediante el interruptor o desenchufándolo durante periodos en que no se use.



Guarde este manual de usuario para futuras consultas. Si este producto pasa a ser propiedad de otro usuario, asegúrese de que este documento acompaña al producto.

2. Introducción

Descripción del producto

El Vivid 4 es un sistema de *video wall* que funciona con el protocolo de control Novastar. El Vivid 4 es un panel de vídeo LED de 1 metro por medio metro, ideal tanto para instalaciones como para el mercado de alquiler.

Características

- Panel de vídeo modular con el que se visualiza el contenido sin necesidad de aparatosos servidores de medios
- Gracias a sus múltiples imanes y clavijas de colocación, puede instalarlo una sola persona, sin herramientas
- De forma alargada, con varios conectores Speego, se instala el doble de rápido que otros paneles
- Crea una fachada de DJ y se integra perfectamente con Serato para visualizar vídeos musicales
- Los paneles se pueden suspender vertical u horizontalmente, con distintas opciones de relación de aspecto
- La doble alimentación lo hace más fiable y garantiza que los paneles inferiores no pierdan señal
- Los LED de cuerpo negro reproducen con precisión vídeos de alto contraste
- Los módulos inteligentes con memoria dedicada mejoran la calidad de la imagen y simplifican el mantenimiento
- Extremadamente ligero gracias a su carcasa de magnesio moldeado a presión

Productos adicionales

- Controlador NovaStar (Vivid Drive 23N o VIP Drive 43Nova; obligatorio)

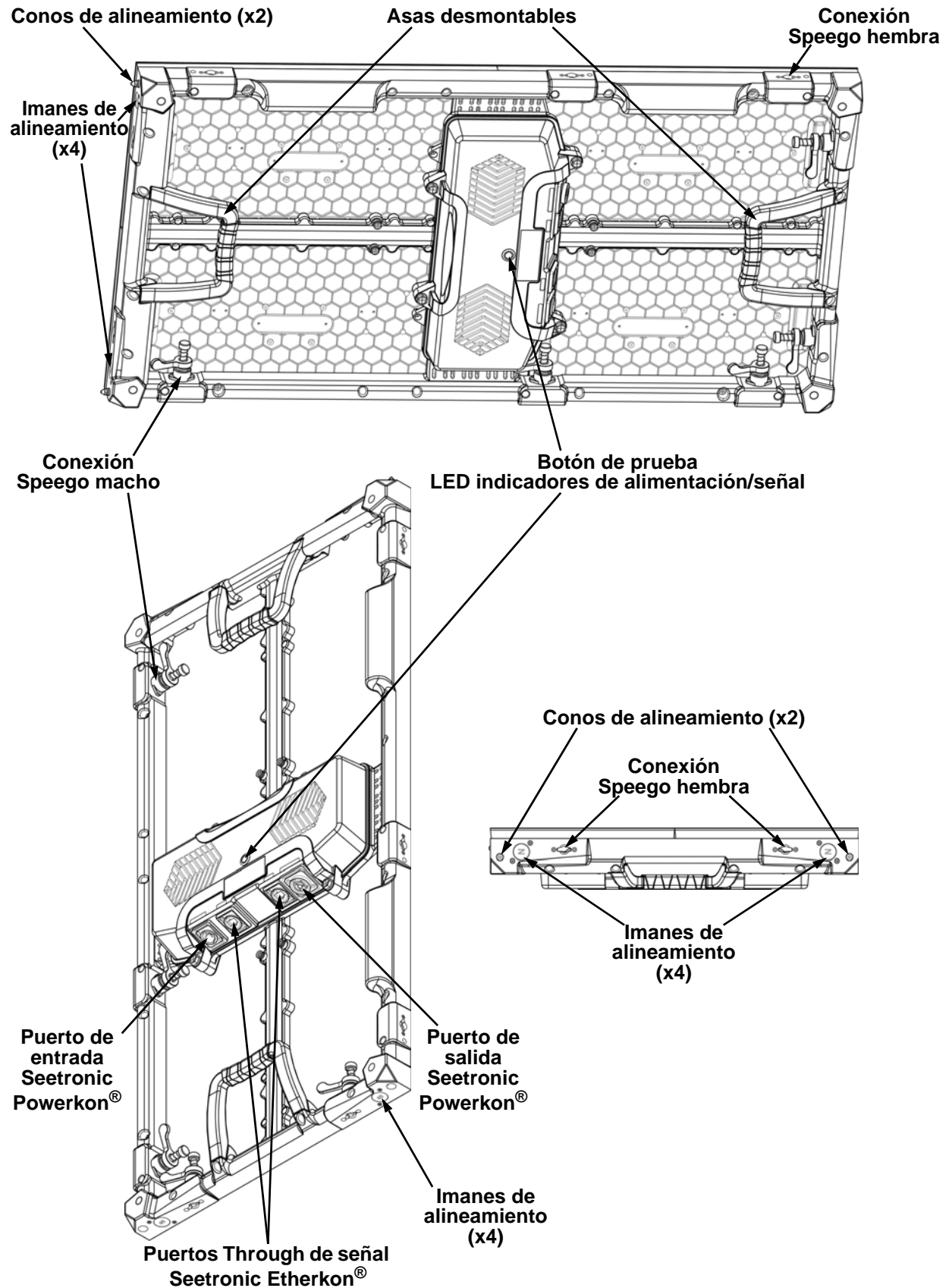
Accesorios opcionales

- ArKaos Media Master Express + KN software
- F-Series Rig Bar (RB-F50CM, RB F100CM)
- VIP Drive 21N (Controlador NovaStar alternativo)

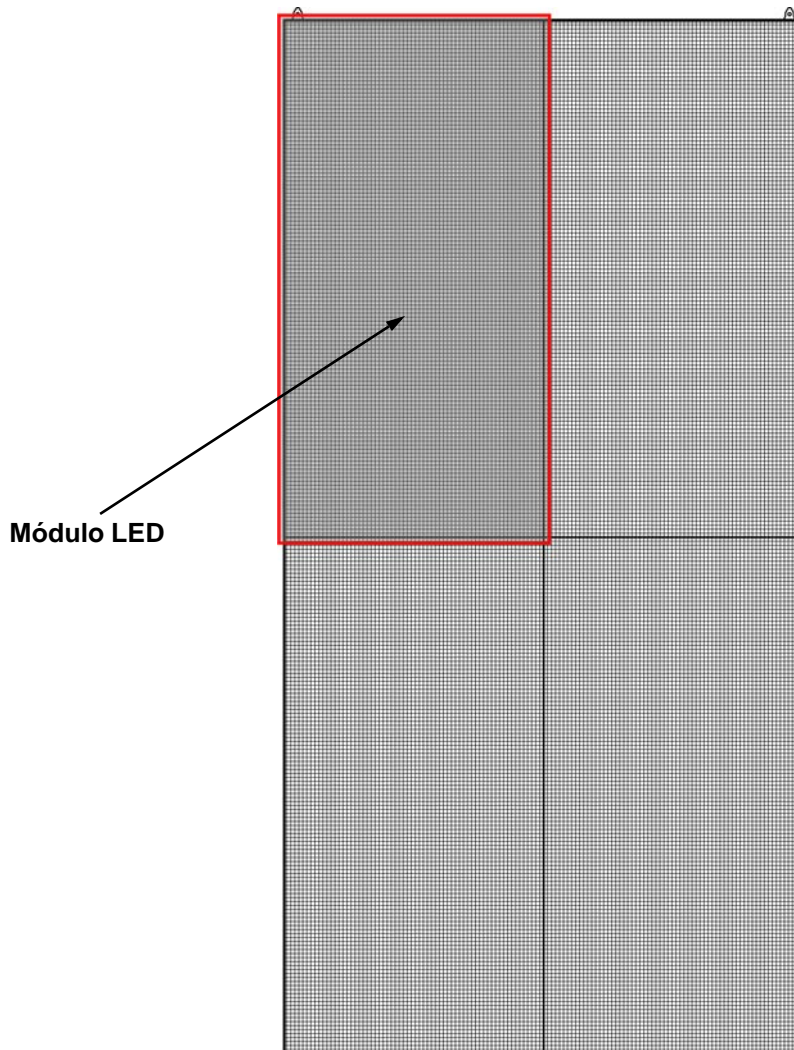
Cables de alimentación y señal disponibles

- Cables de señal (extensiones de señal Neutrik® etherCON® CAT6)
 - ETHERCONEXT18IN
 - ETHERCONEXT5FT
 - ETHERCONEXT10FT
 - ETHERCONEXT25FT
 - ETHERCONEXT50FT
- Cables de alimentación (extensiones Neutrik® powerCON®)
 - POWERCONEXT18IN
 - POWERCONEXT5FT
 - POWERCONEXT10FT
 - POWERCONEXT25FT
 - POWERCONEXT50FT

Vista general del producto



Píxeles por panel



Cada píxel es 1 LED tricolor. La siguiente tabla indica los píxeles por panel en cada Vivid 4. Para ver las especificaciones en detalle, consulte la tabla [Especificaciones técnicas](#) al final de este manual de usuario.

Parámetro	Vivid 4
Píxeles por panel	104 x 208
Píxeles totales por panel	21,632
Píxeles por módulo LED	52 x 104
Píxeles totales del módulo LED	5,408
Dimensiones del módulo LED	250 x 500 mm

Para calcular el número de paneles, en horizontal o en vertical, soportados por un solo Vivid Drive 23N, se utilizarán:

- El número de píxeles por panel.
- La resolución de pantalla que le gustaría usar para su pantalla de mural de vídeo.



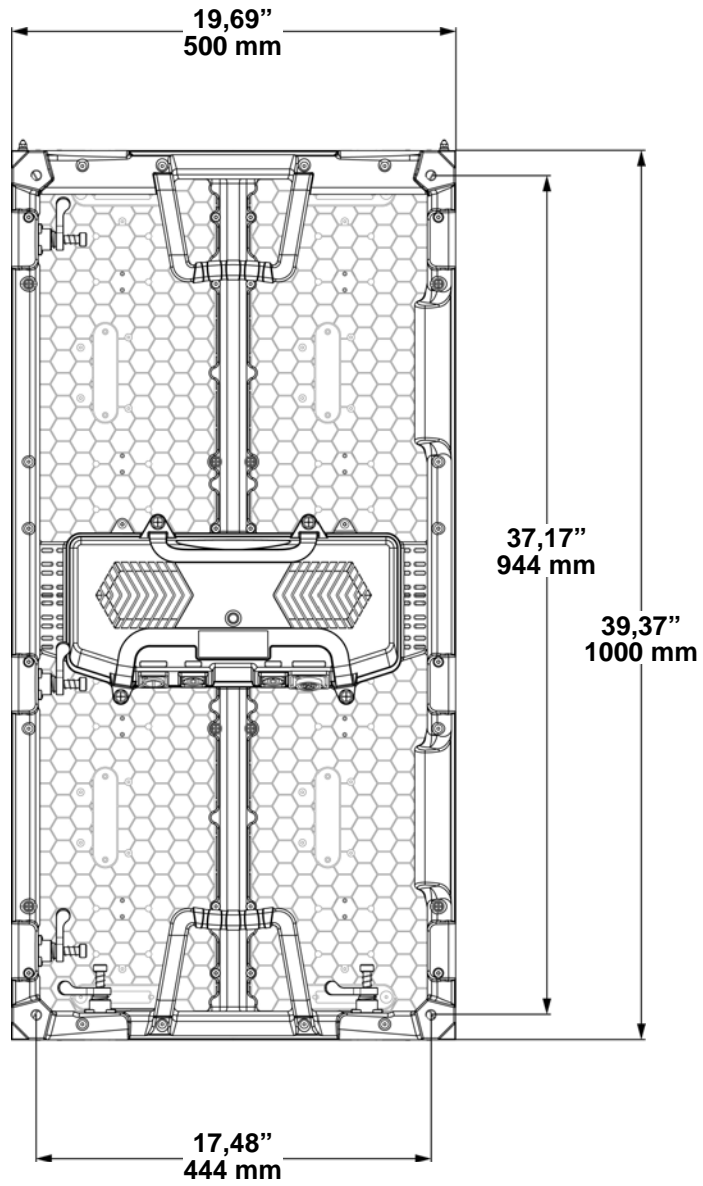
Es necesario el Vivid Drive 23N para manejar un sistema de mural de vídeo. Más adelante en este manual aparecen diagramas con la forma de conectar los paneles Vivid 4 y el Vivid Drive 23N. Para ver una información detallada sobre el Vivid Drive 23N y ejemplos de cálculos de paneles, consulte la guía de referencia rápida del Vivid Drive 23N.

Dimensiones del producto

1,34"
34 mm



2,56"
65 mm



3. Instalación

Corriente alterna

Todos los Vivid 4 tienen una fuente de alimentación con detección automática (auto-rango) que funciona con un rango de tensión de entrada de 100–240 VCA, 50/60 Hz. Para determinar los requisitos de alimentación de cada Vivid 4, consulte la etiqueta fijada en el producto. También puede consultar el cuadro de [Especificaciones técnicas](#) de este manual.

La especificación de corriente listada indica el consumo de corriente máximo con funcionamiento normal. Para más información, puede descargar Dimensionar Interruptores Automáticos del sitio web de Chauvet: www.chauvetdj.com.



- **Conecte siempre este producto a un circuito protegido con una toma de tierra eléctrica apropiada para evitar el riesgo de electrocución o incendio.**
- **Para evitar un desgaste innecesario y alargar su vida útil, desconecte completamente el producto de la alimentación mediante el interruptor o desenchufándolo durante periodos en que no se use.**



Nunca conecte este producto a un reostato (resistor variable) o circuito de atenuación, incluso si el canal del reostato o atenuador sirve solo como conmutador 0 a 100%.

Enchufe CA

Cada Vivid 4 viene con un cable de alimentación en cadena para conectar la alimentación entre paneles, además de un cable de entrada de alimentación.

Este cable tiene un conector Seetronic powerKON[®] para conectar al Vivid 4 y un enchufe Edison para la entrada de alimentación

Alimentación en cadena

Todos los paneles Vivid 4 admiten alimentación en cadena. Consulte la tabla siguiente para las especificaciones de cada panel.

Tensión	Productos Vivid 4
a 120 V, 60 Hz	7
a 230 V, 50 Hz	13



Por favor, consulte todos los códigos locales y regulaciones correspondientes para la instalación adecuada de este producto.

4. Montaje

Orientación

Todos los Vivid 4 están fabricados en una aleación de magnesio moldeado a presión. Esto garantiza que cada panel es estable y fácil de instalar. Cada panel tiene también cómodas asas integradas situada en la parte superior de la trasera del panel, junto con un pivote de alineamiento en la parte de arriba. Esta combinación le posibilita agarrar fácilmente y sujetar con seguridad cada panel mientras trabaja con los paneles y los monta.

Los Vivid 4 se pueden ensamblar para proporcionar un número indefinido de diseños modulares. Los paneles de la parte superior de pueden colgar con seguridad de un truss u otra superficie estable. Cuélguelos siempre en una posición segura con espacio adecuado para la ventilación, configuración y mantenimiento.

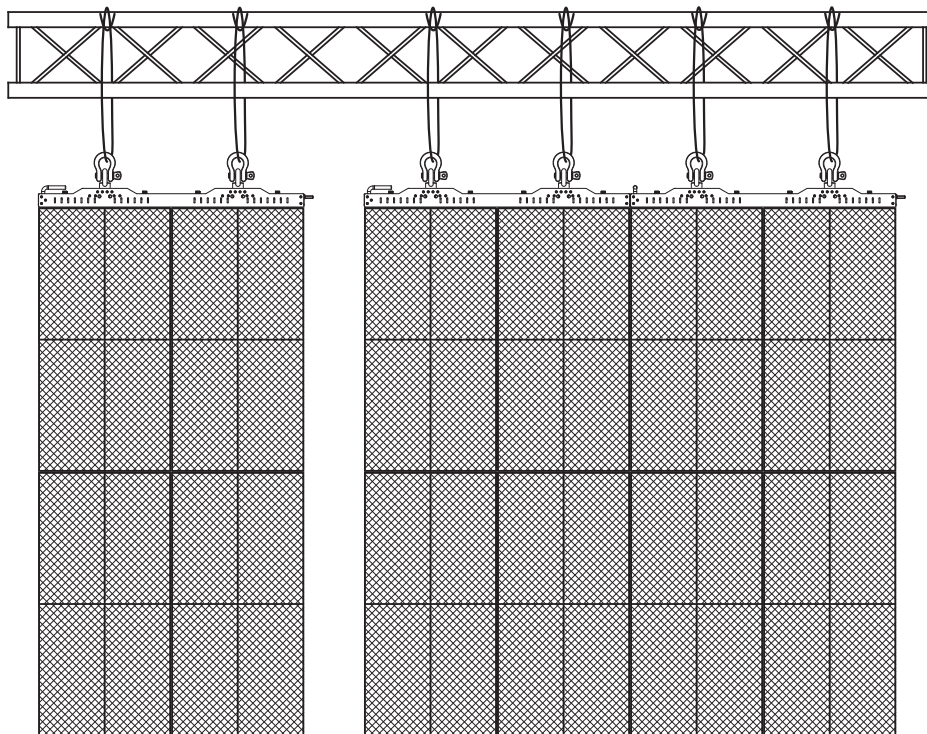
Chauvet recomienda que se sigan las siguientes directrices generales.

- Cuando seleccione una ubicación para instalar, tenga en cuenta la facilidad de acceso para el manejo y para el mantenimiento de rutina.
- Asegúrese de colgarlo apartado de cualquier material inflamable, como se indica en el apartado [Notas de seguridad](#).
- Nunca monte en lugares donde la lluvia, cambios extremos de temperatura o ventilación limitada puedan afectarlo.
- Asegúrese de que la estructura y los puntos de acoplamiento de los que va a colgar los paneles pueden soportar el peso.
- Asegúrese de que todo el material utilizado para sustentar carga puede soportar el peso.
- Consulte las [Especificaciones técnicas](#) Especificaciones técnicas para ver los requisitos de soporte de peso de cada Vivid 4.

Instalación de truss

Consulte el diagrama siguiente para la instalación de truss. Chauvet dispone de la F-Series Rig Bar (vendida por separado), barra de aparejamiento específicamente diseñada para colgar los paneles.

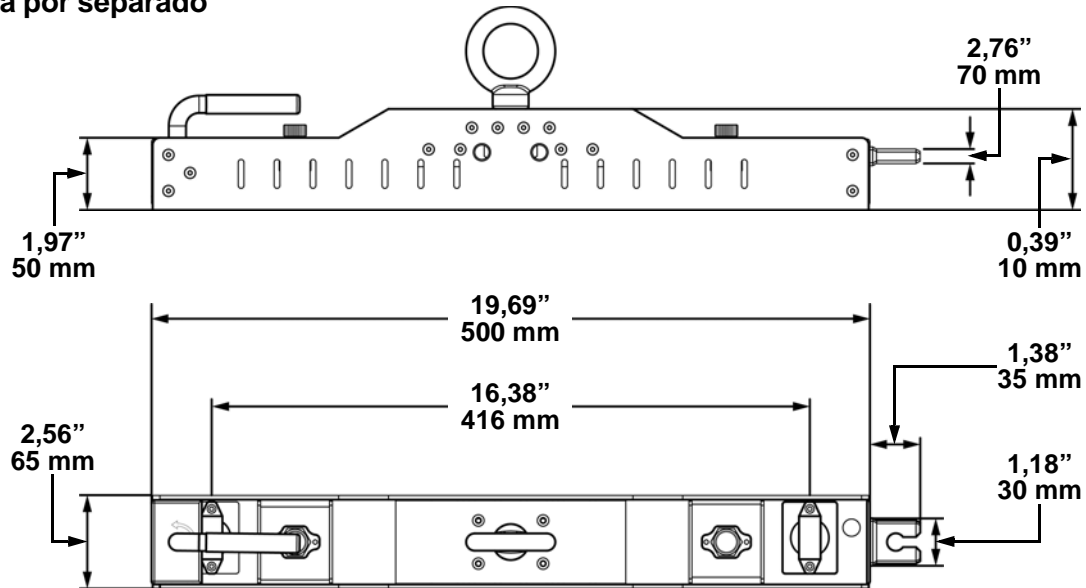
Acoplar a un truss utilizando la F-Series Rig Bar



Las ilustraciones de arriba son solo ejemplos. Por favor, consulte todos los códigos locales y regulaciones correspondientes para la instalación adecuada de este producto.

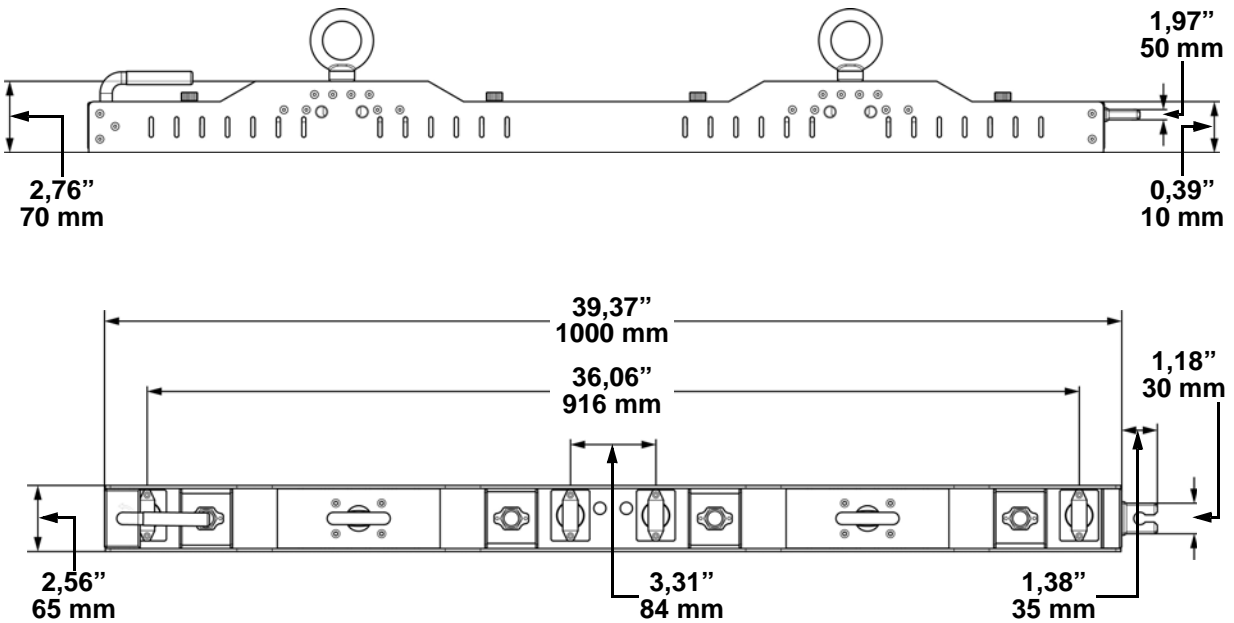
Dimensiones de la Rig Bar RB-F50CM

Vendida por separado

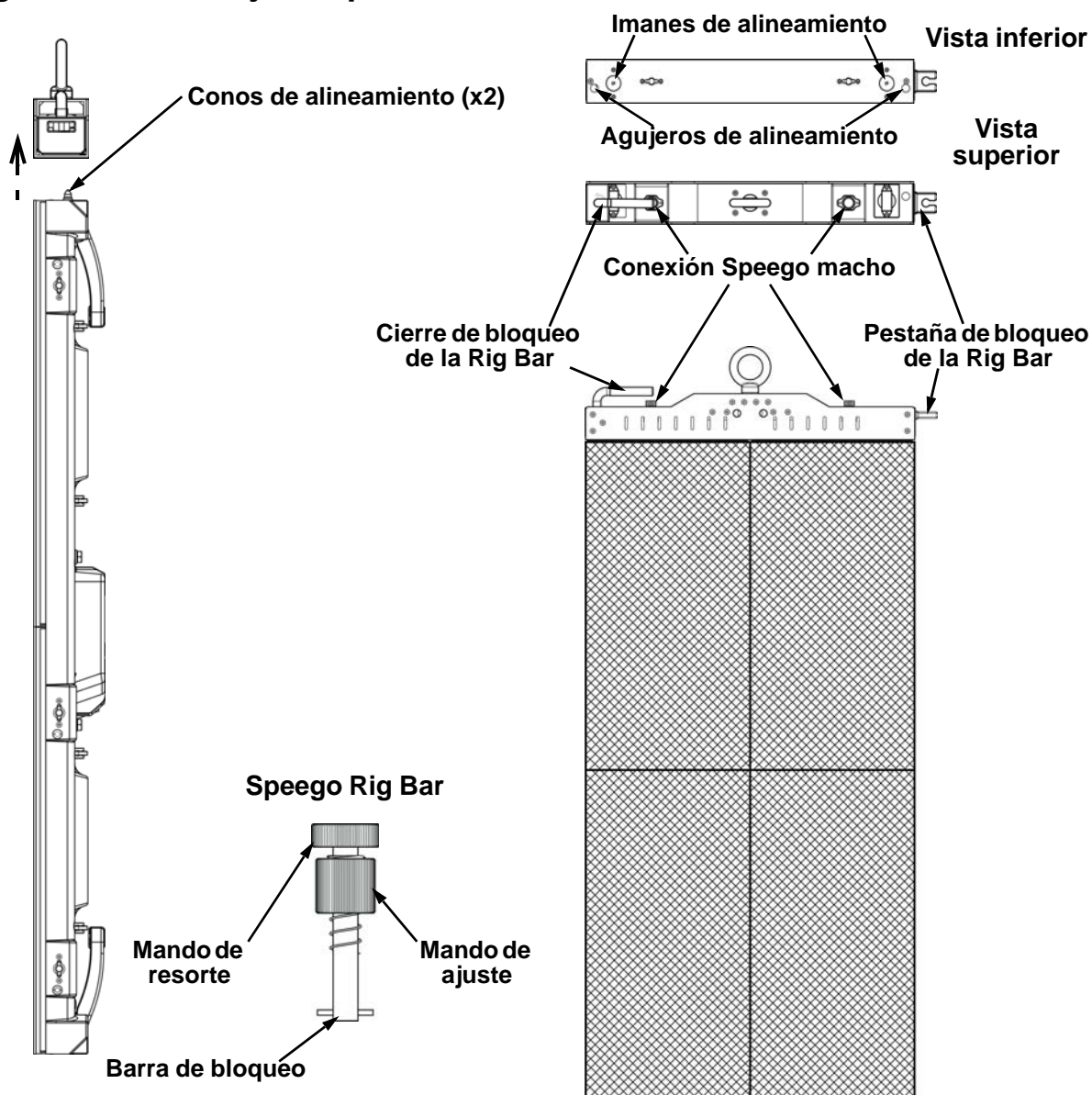


Dimensiones de la Rig Bar RB-F100CM

Vendida por separado



Rig Bar/Ensamblaje del panel



1. Inserte los conos de alineamiento en los agujeros de alineamiento y permita que los imanes hagan contacto.
2. Inserte las barras de bloqueo Speego de la Rig Bar en las conexiones Speego hembra del Vivid 4.
3. Gire 90° el mando de resorte del Speego de la Rig Bar hasta que se bloquee.
4. Gire el mando de ajuste en sentido horario hasta que el Vivid 4 quede sujeto a la Rig Bar.
5. Para desacoplar la Rig Bar del Vivid 4, realice los pasos anteriores en sentido inverso.

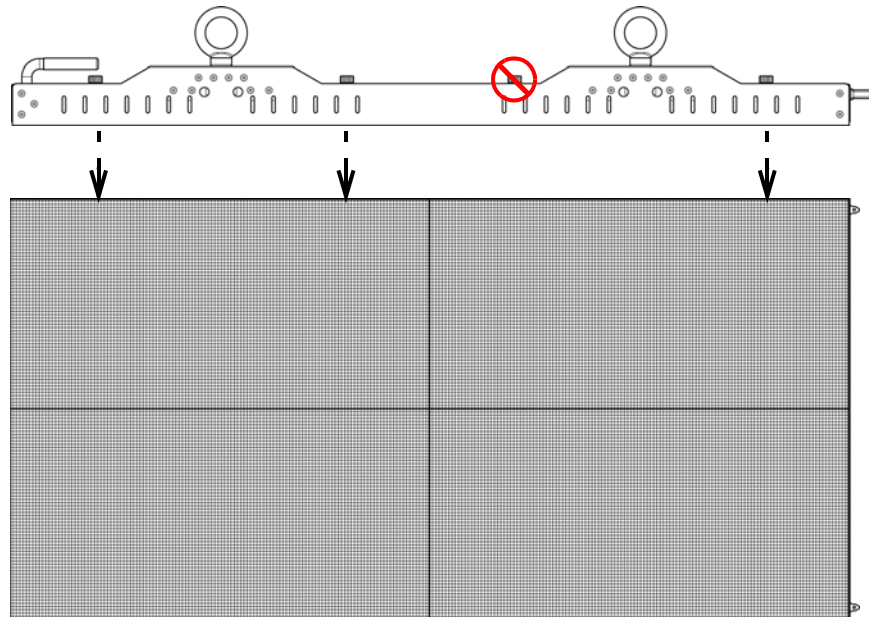


- Los imanes de alineamiento del Vivid 4 y F-Series Rig Bar están diseñados para sostener temporalmente el peso del panel mientras el usuario lo alinea y lo fija.
- Cada lado del Vivid 4 con conexiones Speego hembra se puede acoplar a la F-Series Rig Bar, pero solo el lado corto tiene conos e imanes de alineamiento. Cuando acople el lado largo del Vivid 4 a la Rig Bar, tenga la precaución de comprobar que los píxeles a lo largo del conjunto de vídeo están correctamente alineados.



¡Advertencia! Los acoplamientos magnéticos no pueden soportar carga, y su única finalidad es ayudar al alineamiento. No suelte el panel hasta que el material de montaje para colgarlo esté firmemente fijado.

Rig Bar/Ensamblaje alternativo del panel



El Vivid 4 se puede montar horizontalmente con la RB-F100CM Rig Bar. Siga las mismas instrucciones que para la [Rig Bar/Ensamblaje del panel](#), pero con más cuidado, ya que el lado largo del producto no tiene conos de alineamiento ni imanes.

Cuando lo monte horizontalmente a la RB-F100CM, uno de los conectores Speego de la Rig Bar no se utilizará.

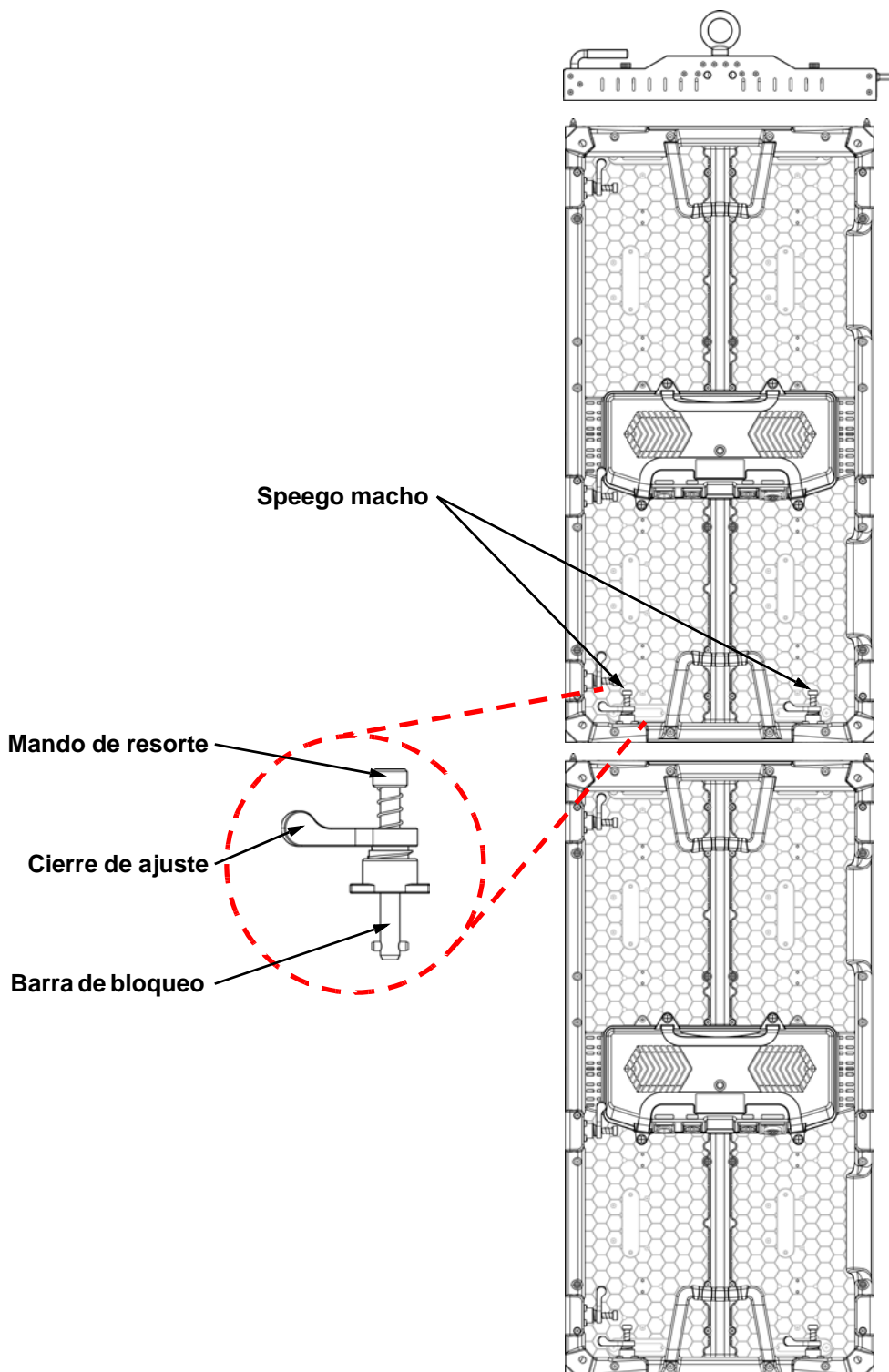
Montaje en truss con Chauvet CT-APP

El Vivid 4 (con Rig Bar de la serie F) se puede montar en truss utilizando CT-APP de TRUSST®. Vea la Guía de referencia rápida de CT-APP en trusst.com si precisa más información.

5. Creación de un diseño modular

Unir los paneles verticalmente

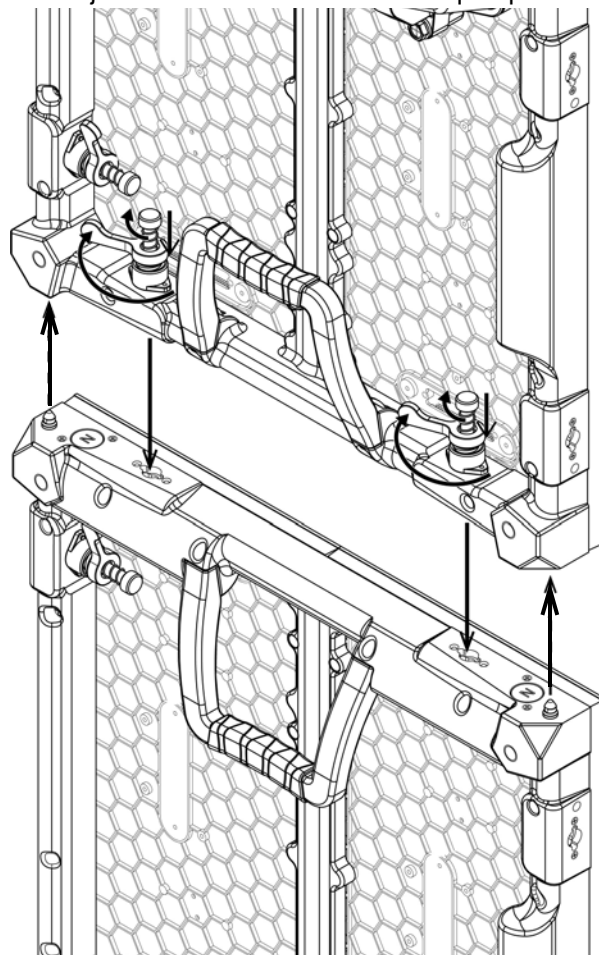
Cada Vivid 4 se puede unir fácilmente en vertical a un truss usando una barra de aparejamiento opcional y las 2 conexiones Speego hembra situadas en las esquinas superiores de cada panel. Utilice las conexiones Speego macho en la parte inferior de cada panel para conectar paneles adicionales. Estos conectores permanecen hundidos cuando no se utilizan.



Conexión del panel vertical

Siga las instrucciones siguientes para unir los paneles verticalmente:

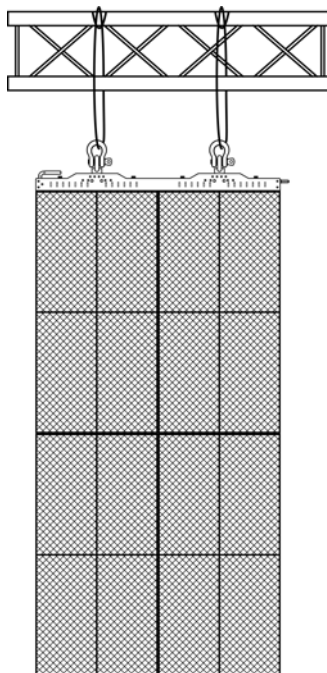
1. Alinee los conos de alineamiento en la parte superior de cada panel y los imanes de alineamiento en la parte superior e inferior de cada panel.
2. Empuje los conectores Speego macho hacia adentro de los conectores Speego hembra.
3. Gire 90° los mandos de resorte en sentido horario.
4. Gire 180° los cierres de ajuste en sentido horario hasta que queden fijos.



¡Advertencia! Los acoplamientos magnéticos no pueden soportar carga, y su única finalidad es ayudar al alineamiento. No suelte el panel hasta que el material de montaje para colgarlo esté firmemente fijado.

Unir los paneles horizontalmente

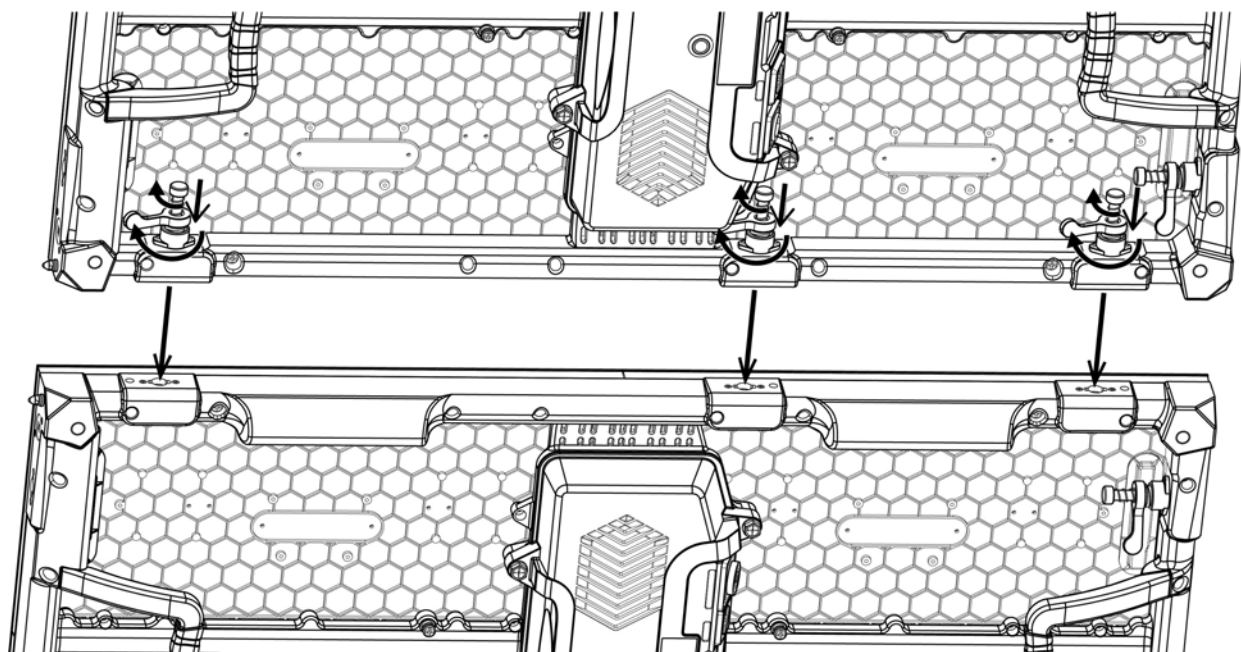
Cada Vivid 4 se puede unir fácilmente en horizontal usando las conexiones Speego del interior, del lado izquierdo, superior e inferior, de cada panel.



Conexión del panel horizontal

Siga las instrucciones siguientes para unir los paneles horizontalmente:

1. Alinee cada uno de las conexiones Speego macho de los paneles con las correspondientes conexiones Speego hembra de los paneles que se añadan.
2. Empuje los conectores Speego macho hacia adentro de los conectores Speego hembra.
3. Gire 90° los mandos de resorte en sentido horario.
4. Gire 180° los cierres de ajuste en sentido horario hasta que queden fijos.



6. Conectar (cablear) todos los Vivid 4

Probar la señal y las conexiones de alimentación

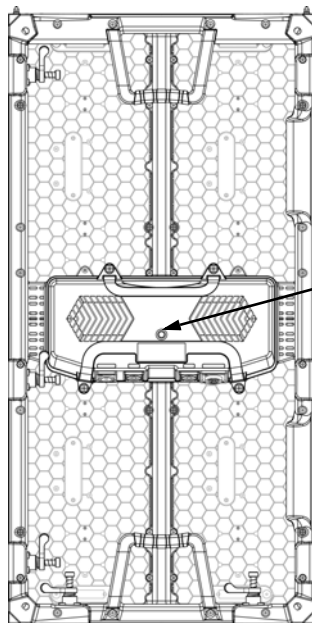
Cada Vivid 4 tiene 2 tomas de alimentación y 2 puertos de señal.

- Las conexiones de alimentación y señal se encuentran en la parte inferior del módulo de servicio de cada panel.
- Los puertos de señal se pueden usar indistintamente.
- Cada Vivid 4 tiene luces indicadoras LED sobre el botón de prueba en el centro de cada panel.
- Cada panel indica una conexión de alimentación correcta cuando la luz indicadora de alimentación permanece roja.
- Cada panel indica la presencia de señal de vídeo cuando la luz indicadora LED de señal parpadea en verde rápidamente. Cuando el LED parpadea en verde lentamente, no hay señal.

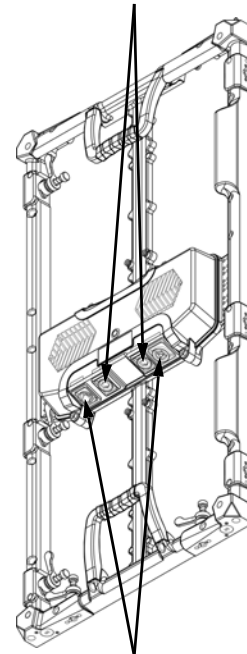
Vista del panel posterior

Vista de la parte inferior del acceso de servicio

Conexiones de señal



Botón de prueba
LED indicadores
de alimentación/
señal



Entrada/salida alimentación

Utilizar el botón de prueba del Vivid 4

Cada Vivid 4 dispone también de un botón de prueba, que se utiliza para asegurarse de que todos los LED están operativos. Utilice el botón de prueba en cada panel para realizar una autocomprobación. Si realiza la autocomprobación, debe realizar las pruebas individualmente para cada Vivid 4. No necesita conectarlos a una señal ni utilizar software.



Cuando use el botón de prueba, asegúrese de que el Vivid 4 no está conectado al Vivid Drive 23N.

Para usar el botón de prueba debe conectar la alimentación, pero no conecte los cables de señal. Pulse el botón de prueba para cambiar entre las distintas configuraciones de pantalla de luz LED.

Conectar (cablear) todos los Vivid 4

Conectar los cables de alimentación y señal

Los siguientes apartados proporcionan información y diagramas sobre la conexión de señal y alimentación entre paneles.

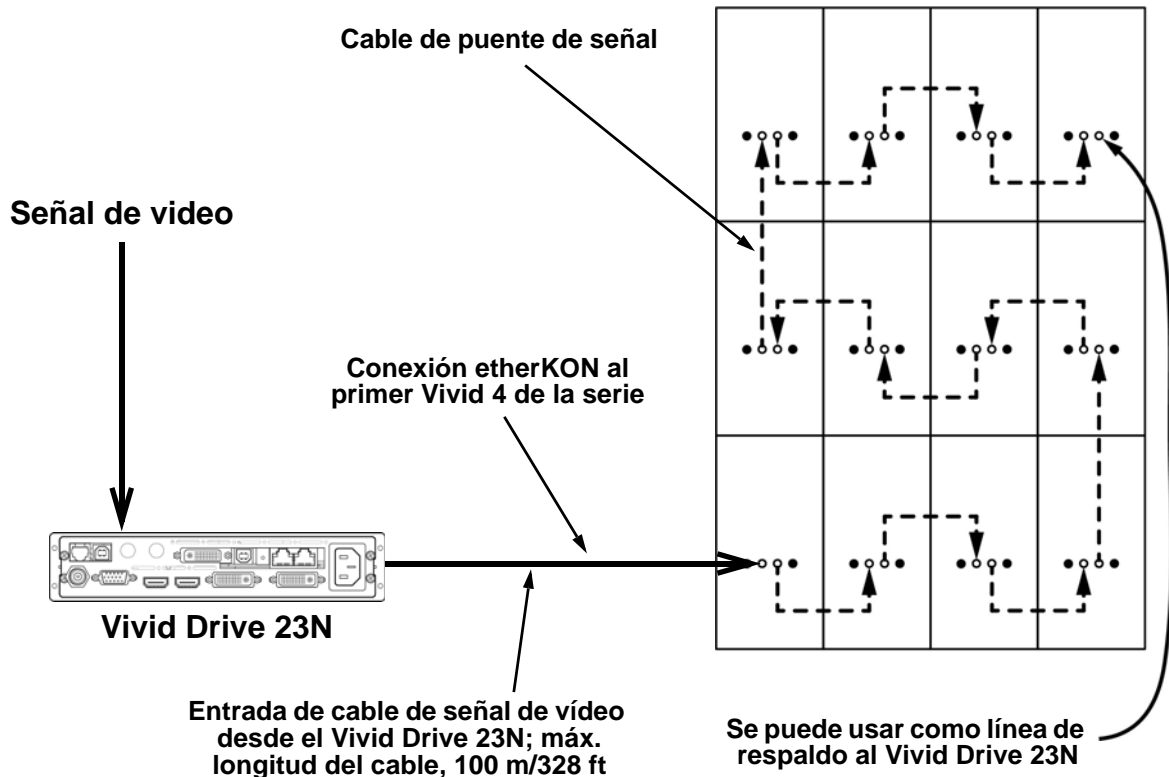
Consulte los apartados [Introducción](#) o [Funcionamiento](#) de este Manual de usuario para ver los cables disponibles y los números de artículo.

Conectar la señal entre paneles unidos

Las conexiones entre paneles del cable de señal pueden usar distintas configuraciones. La configuración básica para conectar la señal de un panel al siguiente se explica a continuación:

1. La señal fuente se conecta al primer panel.
2. A continuación, se conecta un cable de señal desde el primer panel.
3. Las conexiones continúan en cascada hasta que todos los paneles estén conectados.
4. La ruta de los cables utilizados para hacer las conexiones de señal puede variar.

El siguiente diagrama es una sugerencia recomendada para conexiones de señal simples entre paneles.



Conectar la alimentación entre paneles unidos

Las conexiones de alimentación entre paneles pueden usar también distintas configuraciones. La configuración básica para conectar la fuente de alimentación principal de un panel a otro es:

1. La alimentación principal se conecta a la entrada o salida de alimentación del primer panel.
2. Luego se conecta un cable de alimentación a la salida de alimentación del primer panel y a la entrada de alimentación del siguiente panel.
3. Las conexiones continúan hasta que todos los paneles estén conectados.

Conecte la alimentación entre paneles siguiendo el mismo procedimiento que para la señal, pero utilizando los conectores de entrada de alimentación y salida de alimentación. Debe respetar las especificaciones de alimentación en cadena de cada modelo Vivid 4.

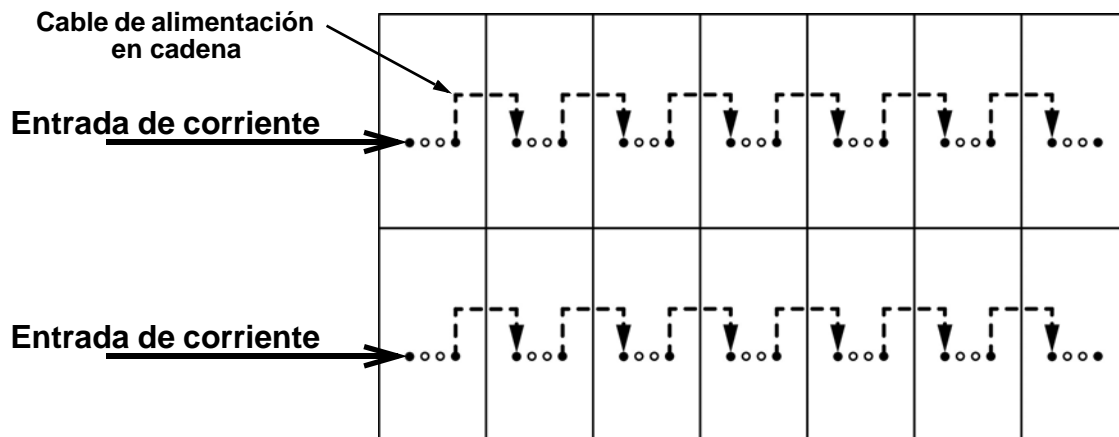
Consulte el apartado [Alimentación en cadena](#) para ver los detalles sobre el número de paneles que se pueden enlazar en función de la tensión desde una sola conexión de alimentación.



¡Enlazar en cadena la alimentación de más paneles de los recomendados anulará su garantía y aumentará el riesgo de electrocución o incendio!

Consulte el diagrama siguiente para ver un ejemplo de conexión de alimentación desde la toma de corriente hasta cada panel conectado.

Este ejemplo utiliza un Vivid 4, enlazando en cadena la alimentación de 7 paneles horizontalmente a @ 120 V.



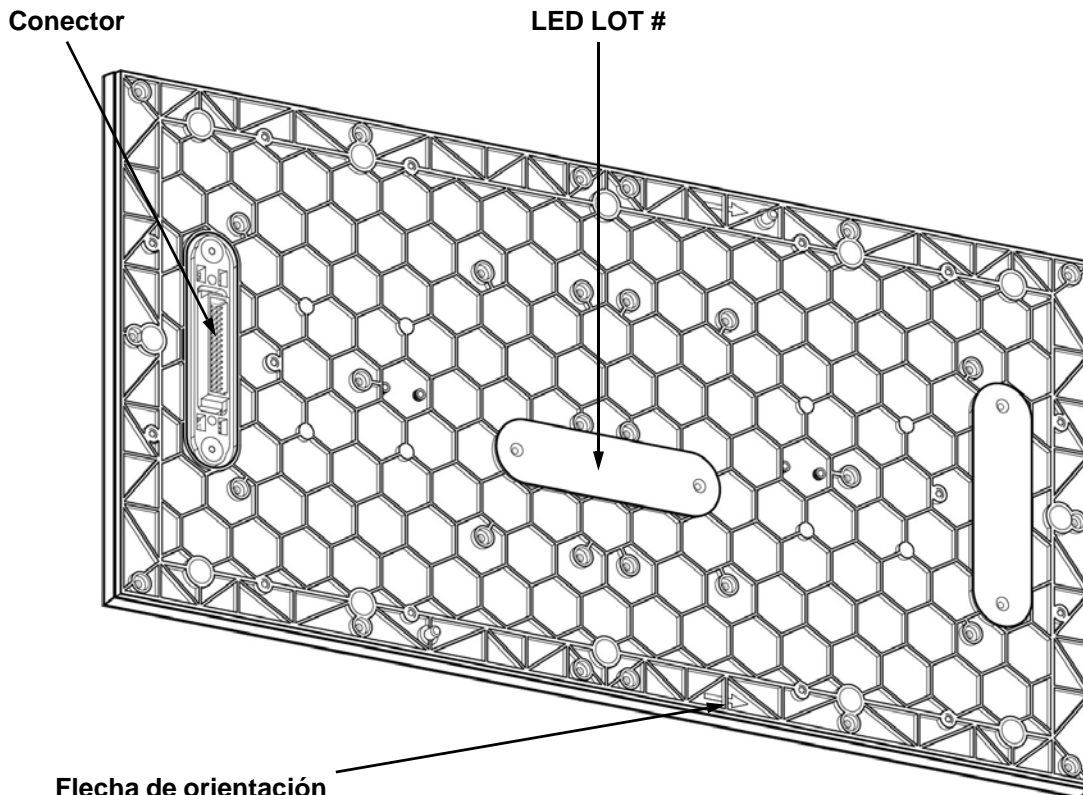
7. Cuidados y sustitución del módulo LED

Módulo LED del Vivid 4

Cada Vivid 4 tiene 4 módulos LED conectados al marco del panel por medio de tornillos. Cada módulo tiene un solo conector que conecta con la unidad de proceso principal.

Números de lote LED

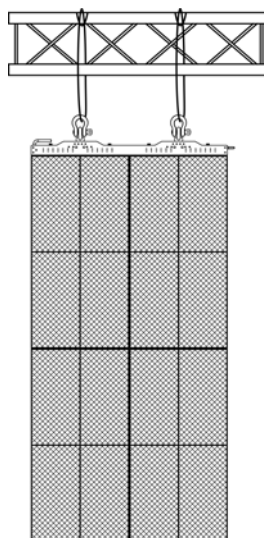
Para garantizar un ajuste y emisión de color consistentes, sustituya los módulos estropeados o defectuosos con el mismo n.º de lote que los demás del mismo panel. Cuando combine paneles para crear sistemas completos de mural de vídeo (alquileres, instalaciones permanentes, etc.), recomendamos encarecidamente que coincida el N.º de LOTE LED de todos los paneles. El n.º de LOTE LED se puede encontrar en la parte posterior de cada módulo.



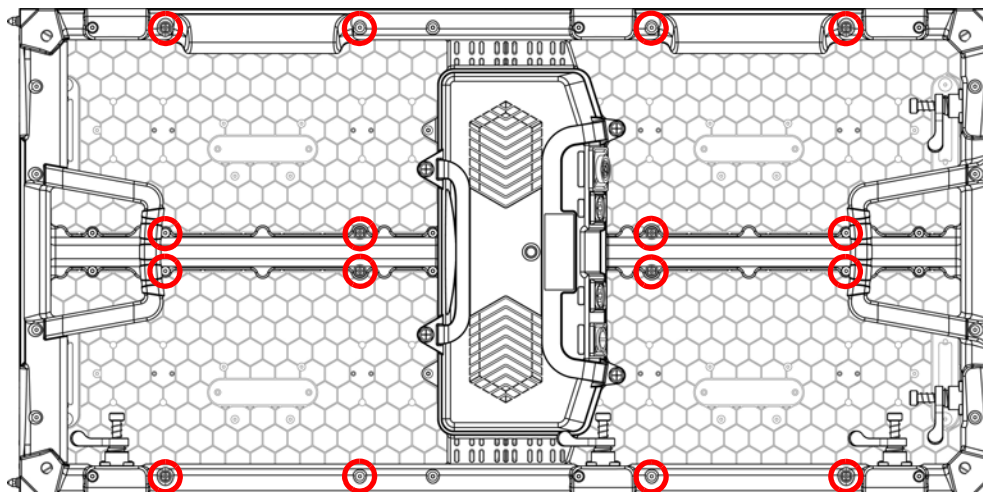
Módulos A y B

El Vivid 4 tiene 2 tipos de módulos, diseñados para que solo puedan conectarse en el módulo de servicio en una dirección. Compruebe dónde se encuentra el conector cuando las flechas de orientación apuntan hacia arriba para determinar si el módulo es de tipo A (mitad superior, conector abajo) o de tipo B (mitad inferior, conector arriba).

Quitar el módulo LED del Vivid 4



1. Localice el módulo que desea quitar.
2. Quite el panel del conjunto del video wall y colóquelo sobre una superficie plana mirando hacia abajo.



3. Quite los 4 tornillos que sujetan el módulo seleccionado con un destornillador Phillips (de estrella).
4. Empleando progresivamente más fuerza, y con cuidado de no dañar el conector, vaya sacando el módulo del marco hasta que el conector se separe.



Tenga cuidado cuando quite el módulo para no dañar el conector unido a la parte posterior del módulo.

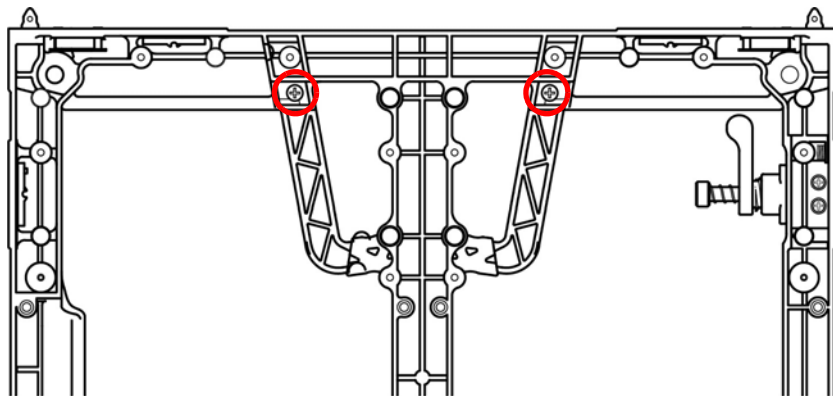
5. Realice a la inversa estos pasos para instalar el módulo de recambio.

8. Configuración del panel

Quitar y instalar las asas

El Vivid 4 viene con dos asas que se puede quitar si se desea.

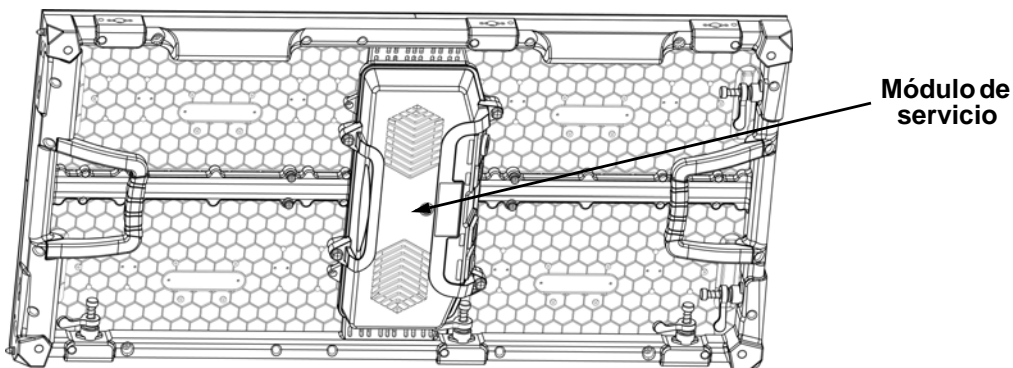
1. Quite los módulos según se indica en [Cuidados y sustitución del módulo LED](#).
2. Desde la parte delantera del panel, quite los 2 tornillos que sujetan el asa al producto con un destornillador Phillips (de estrella).



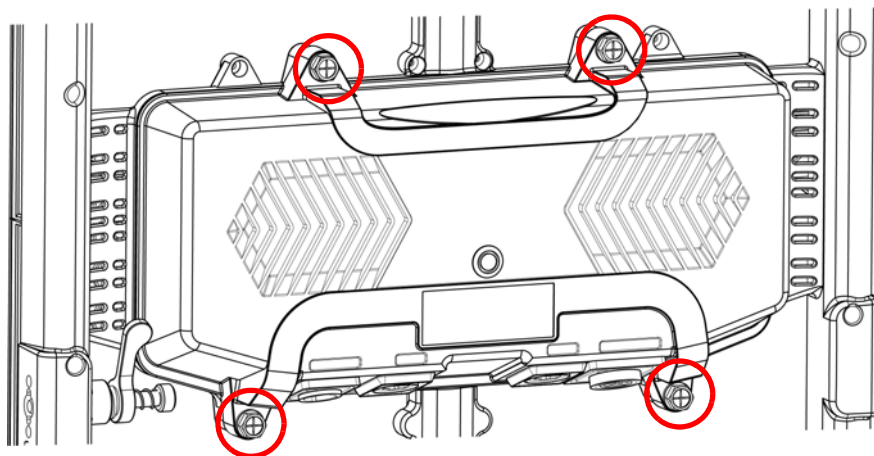
3. Vuelva a instalar los módulos.
4. Realice a la inversa estos pasos para vuelva a instalar las asas.

Acceso al módulo de servicio

El módulo de servicio del Vivid 4 es accesible para mantenimiento desde la parte posterior del panel.



Para acceder al módulo de servicio del Vivid 4, quite los 4 tornillos indicados en el diagrama inferior.



Tenga cuidado cuando quite estos tornillos, ya que la cubierta del módulo de servicio se separará del marco del panel. Todos los componentes del módulo de servicio están unidos a la cubierta.

9. Instalación típica

Puesto que un sistema de mural de vídeo puede estar formado por distintos componentes para conseguir un diseño modular de simple a complejo, siga los pasos siguientes como regla general para empezar.

Paso 1

Abra y examine la maleta de transporte del Vivid 4 para asegurarse de que ha recibido todos los productos y accesorios y que todos se encuentran en buen estado.

Paso 2

Enciéndalo y ejecute la autocomprobación en todos los Vivid 4 para asegurarse de que funcionan todos los LED y conexiones internas de cada panel (opcional).

Paso 3

Prepare una superficie de montaje estable (como un truss u otra superficie estable) para el montaje del Vivid 4.

Paso 4

Monte la primera fila de Vivid 4. Consulte el apartado de [Montaje](#) de este manual de usuario.

Paso 5

Ajuste el alineamiento de la primera fila usando los conectores Speego.

Paso 6

Conecte la fuente de señal al Vivid Drive 23N.

Paso 7

Conecte el Vivid Drive 23N al puerto de señal del primer panel de su cadena de conexión.

Paso 8

En función de la configuración (diseño) de su mural de vídeo, una todos los paneles, en horizontal o en vertical, siguiendo las instrucciones del apartado [Creación de un diseño modular](#).

Consulte las instrucciones e información en el apartado [Conectar \(cablear\) todos los Vivid 4](#) de este manual de usuario.

10. Funcionamiento

Hardware y software adicional

Además de los paneles, se necesita otro software y hardware para diseñar, construir y manejar su sistema de mural de vídeo Vivid 4. La siguiente tabla resume estos elementos adicionales. Algunos son necesarios y otros opcionales.

Elemento	Descripción
Vivid Drive 23N	Interfaz entre la fuente de señal, NovaLCT-Mars y Vivid 4 utilizado
NovaLCT-Mars	Aplicación de software utilizada para diseñar y hacer funcionar los Vivid 4 que componen el mural de vídeo. Se necesita un PC.
F-Series Rig Bar (opcional)	Proporciona el material necesario para montar los Vivid 4
Prolongador de señal Neutrik® etherCON® (opcional)	Cable prolongador Neutrik etherCON CAT6, 18" Cable prolongador Neutrik etherCON CAT6, 5 pi Cable prolongador Neutrik etherCON CAT6, 10 pi Cable prolongador Neutrik etherCON CAT6, 25 pi Cable prolongador Neutrik etherCON CAT6, 50 pi
Prolongador Neutrik® powerCON® (opcional)	Prolongador Neutrik powerCON, 18" Prolongador Neutrik powerCON, 5 pi Prolongador Neutrik powerCON, 10 pi Prolongador Neutrik powerCON, 25 pi Prolongador Neutrik powerCON, 50 pi
VIP Media System	Sistema de ordenador de vídeo montable en rack
ArKaos MediaMaster	Video playback software

Acerca de NovaLCT-Mars

NovaLCT-Mars es una aplicación de software potente y de fácil aprendizaje que se utiliza para diseñar y administrar el sistema de mural de vídeo Vivid 4. A continuación proporcionamos una información a modo de introducción sobre el software.

Consulte el manual de usuario de Vivid Drive 23N para obtener información e instrucciones para instalar y utilizar NovaLCT-Mars con su sistema de mural de vídeo Chauvet VIP.

Descripción

NovaLCT-Mars le brinda la posibilidad de crear y controlar su mural de vídeo asignando direcciones a los paneles de su mural de vídeo, incluyendo tamaño de píxel y disposición.

Una vez creado físicamente su diseño modular de mural de vídeo mediante la unión de los paneles, la conexión de alimentación, señales y el Vivid Drive 23N, se puede recrear el diseño dentro de NovaLCT-Mars.

Dispone de información detallada e instrucciones en el manual de usuario del Vivid Drive 23N.



Chauvet does not recommend using NovaLCT-Mars for live show playback. For this purpose, Chauvet offers Arkaos MediaMaster, which offers numerous playback triggers, including DMX, Art-Net, MA-net, MIDI, and QWERTY.

11. Información técnica

Mantenimiento del Vivid 4

Para mantener un rendimiento óptimo y minimizar el desgaste, el usuario debe limpiar este producto regularmente. El uso y el entorno pueden influir para determinar la frecuencia de las limpiezas.

Como norma general, limpie este producto al menos dos veces al mes. El polvo acumulado reduce el rendimiento de la salida de luz y puede provocar sobrecalentamiento. Esto puede conducir a una reducción de la vida de la fuente de luz e incrementar el desgaste mecánico.

Para limpiar un Vivid 4, siga las instrucciones siguientes:

1. Desenchufe el panel de la alimentación.
2. Espere a que el producto esté a temperatura ambiente.
3. Use un cepillo suave para quitar el polvo depositado en los componentes externos.
4. Frote el exterior de los módulos LED con un paño suave que no deje pelusa empapado en una solución de agua y detergente. Aplique solamente una ligera presión.
5. Asegúrese de que todas las conexiones están bien secas antes de volver a conectar los cables de alimentación y de señal.



Seque siempre con cuidado las superficies externas después de limpiarlas.

Devoluciones

Debe enviar el producto a portes pagados, en su caja original y con su embalaje y accesorios originales. Chauvet no expedirá etiquetas de devolución.

Llame a Chauvet y pida un número de Autorización de Devolución de la Mercancía (RMA) antes de enviar el producto. Esté preparado para proporcionar el número de modelo, número de serie y una breve descripción de la(s) causa(s) de la devolución.

Para submitir una solicitud de servicio en línea, visite www.chauvetdj.com/service-request.

Etiquete el paquete claramente con un número de RMA. Chauvet rechazará cualquier producto devuelto sin un número de RMA.



NO escriba el número de RMA directamente sobre la caja. En vez de eso, escríbalo en una etiqueta convenientemente adherida.

Una vez que haya recibido el número de RMA, incluya la siguiente información en una hoja de papel dentro de la caja:

- Su nombre
- Su dirección
- Su número de teléfono
- El número de RMA
- Una breve descripción de los problemas

Asegúrese de que empaqueta el producto adecuadamente. Cualquier daño en el transporte que resulte de un empaquetado inadecuado será responsabilidad del cliente. Se recomienda empaquetado FedEx o de doble caja.



Chauvet se reserva el derecho de usar su propio criterio para reparar o reemplazar productos devueltos.

1. Avant de commencer

Contenu

- 4 Vivid 4
- 1 cordon d'alimentation Seetronic Powerkon®
- 4 câbles de chaînage électrique Seetronic Powerkon®
- 4 câbles de chaînage de signal Seetronic Etherkon®
- Valise de transport
- Fiche de garantie
- Manuel d'Utilisation

Réclamations

Dès la réception, veuillez ouvrir et vérifier avec soin l'emballage. Assurez-vous que vous avez reçu tous les éléments indiqués plus haut et qu'ils sont en bon état.




A la réception, si l'emballage ou le contenu (l'appareil et les accessoires livrés avec) semble avoir été endommagé pendant le transport, ou s'il présente des signes de manipulation sans précaution, veuillez en notifier immédiatement le transporteur et non pas Chauvet. Ne pas enregistrer votre réclamation auprès du transporteur en temps et en heure peut entraîner une invalidation de celle-ci. Gardez l'emballage et tous les matériaux d'emballage pour inspection.

Pour tout autre problème comme des pièces ou composants non livrés, des dommages indépendants de la livraison ou des vices cachés, veuillez déposer votre réclamation auprès de Chauvet dans les 7 jours suivant la réception de la marchandise.

Conventions manuelles

Convention	Signification
1-512	Une plage de valeur dans le texte
50/60	Un ensemble de valeur mutuellement exclusives dans le texte
Settings	Une fonction de l'appareil ou une option de menu
<ENTER>	Un bouton sur le panneau de commande de l'appareil

Symboles

Symbole	Signification
	Consignes importantes en matière d'installation, de configuration et de fonctionnement. Le non-respect de ces consignes peut entraîner le non fonctionnement de l'appareil, des dommages à des équipements tiers ou à l'opérateur.
	Consignes importantes en matière d'installation ou de configuration. Le non respect de ces consignes peut empêcher le bon fonctionnement de l'appareil.
	Information utile.

Clause de Non-Responsabilité

Chauvet estime que les informations contenues dans ce manuel sont exactes à tous les égards. Cependant, Chauvet n'assume aucune responsabilité et décline expressément toute responsabilité envers toute partie de toute perte, dommage ou dérangement causés par des erreurs ou des omissions dans ce document, que ces erreurs ou omissions résultent d'une négligence, d'un accident ou de toute autre cause. Chauvet se réserve le droit de réviser le contenu de ce document sans aucune obligation de notifier quelque personne ou société que ce soit de cette révision. Cependant, Chauvet n'a aucune obligation de réaliser de telles révisions, sans non plus s'engager à les réaliser. Téléchargez la dernière version de ce manuel sur www.chauvetdj.com.

Les œuvres d'auteur contenues dans ce manuel, y compris, mais sans s'y limiter, l'ensemble des conceptions, des textes et des images sont la propriété de Chauvet.

© Copyright 2017 Chauvet & Sons, LLC. Tous droits réservés.

Publié électroniquement par Chauvet aux États-Unis.

CHAUVET, le logo Chauvet et Vivid 4 sont des marques déposées ou des marques de Chauvet & Sons LLC. (d/b/a Chauvet et Chauvet Lighting) aux États-Unis et dans d'autres pays. Les autres noms de produits et logos mentionnés dans le présent manuel peuvent être des marques commerciales de leurs sociétés respectives.

Consignes de Sécurité



- Toujours connecter l'appareil à un circuit à la terre pour éviter les risques d'électrocution.
- Évitez tout contact visuel direct avec la source lumineuse quand cet appareil est en marche.
- Veillez à ce que le cordon d'alimentation ne soit jamais pincé ou endommagé.
- Ne débranchez jamais cet appareil en tirant sur le cordon d'alimentation.
- En cas de montage de l'appareil en hauteur, veillez à toujours le fixer à un dispositif d'attache à l'aide d'un câble de sécurité.
- Veillez à ce qu'il ne se trouve jamais à proximité de matériaux inflammables lorsqu'il est en fonctionnement.
- Ne touchez pas le boîtier de l'appareil lorsqu'il est en fonctionnement, celui-ci pouvant être très chaud.

- Assurez-vous de toujours brancher cet appareil sur la bonne tension comme indiqué dans les spécifications techniques de ce manuel ou sur l'étiquette des spécifications de l'appareil.
- Cet appareil doit être utilisé en intérieur uniquement! (IP30). Afin d'éviter tout risque d'incendie ou décharge électrique, veillez à n'exposer cet appareil ni à la pluie ni à l'humidité.
- Installez cet appareil dans un endroit bien ventilé à au moins 50 cm (20 po) des surfaces adjacentes.
- Assurez-vous qu'aucune fente de ventilation sur le boîtier de l'appareil ne soit obstruée.
- Ne connectez jamais cet appareil à un bloc de gradateurs.
- Ne transportez jamais l'appareil par son cordon d'alimentation.
- La température ambiante maximale est de 40 °C (104 °F). Ne faites pas fonctionner cet appareil à une température plus élevée.
- En cas de sérieux problèmes de fonctionnement, arrêtez l'appareil immédiatement!
- N'essayez jamais de réparer cet appareil. Toute réparation effectuée par une personne non qualifiée peut entraîner des dommages ou un fonctionnement erratique de l'appareil. Mettez-vous en relation avec le centre d'assistance technique autorisé le plus près de chez vous.
- Durant les périodes de non-utilisation, pour éviter toute usure inutile et pour prolonger la durée de vie, déconnectez-entièrement l'appareil en le débranchant de l'alimentation électrique ou en coupant le disjoncteur.



Conservez ce manuel d'utilisation pour référence future. Si vous étiez amené à vendre cet appareil à un autre utilisateur, veillez à lui remettre ce manuel également.

2. Introduction

Description de l'appareil

Le Vivid 4 est un système de mur vidéo fonctionnant avec le protocole de contrôle Novastar. Le Vivid 4 est un panneau vidéo de taille 1 mètre sur 50 centimètres idéal à la fois pour les marchés de l'installation et de la location.

Caractéristiques

- Le panneau vidéo modulaire affiche de manière vive le contenu sans avoir besoin de serveurs multimédia volumineux
- De nombreux aimants et broches de positionnement permettent une installation sans effort et sans outil par un seul opérateur
- La taille allongée et les nombreux connecteurs Speego permettent une intégration 2 fois plus rapide qu'avec les autres panneaux
- Permet la création d'une parfaite façade de DJ et s'intègre parfaitement avec Serato pour afficher des vidéos musicales
- Les panneaux peuvent être suspendus verticalement ou horizontalement offrant différentes options de rapport hauteur/largeur
- La présence de deux alimentations améliore la fiabilité et garantit que les panneaux en aval ne perdent pas de signal
- Les LED à corps noir délivrent avec précision une vidéo dotée d'un excellent contraste.
- Des modules intelligemment pensés, et dotés d'une mémoire dédiée, permettent d'améliorer la qualité d'image et de simplifier la maintenance.
- Très léger grâce au boîtier en magnésium coulé sous pression

Appareils supplémentaires

- Pilote NovaStar (Vivid Drive 23N ou VIP Drive 43Nova requis)

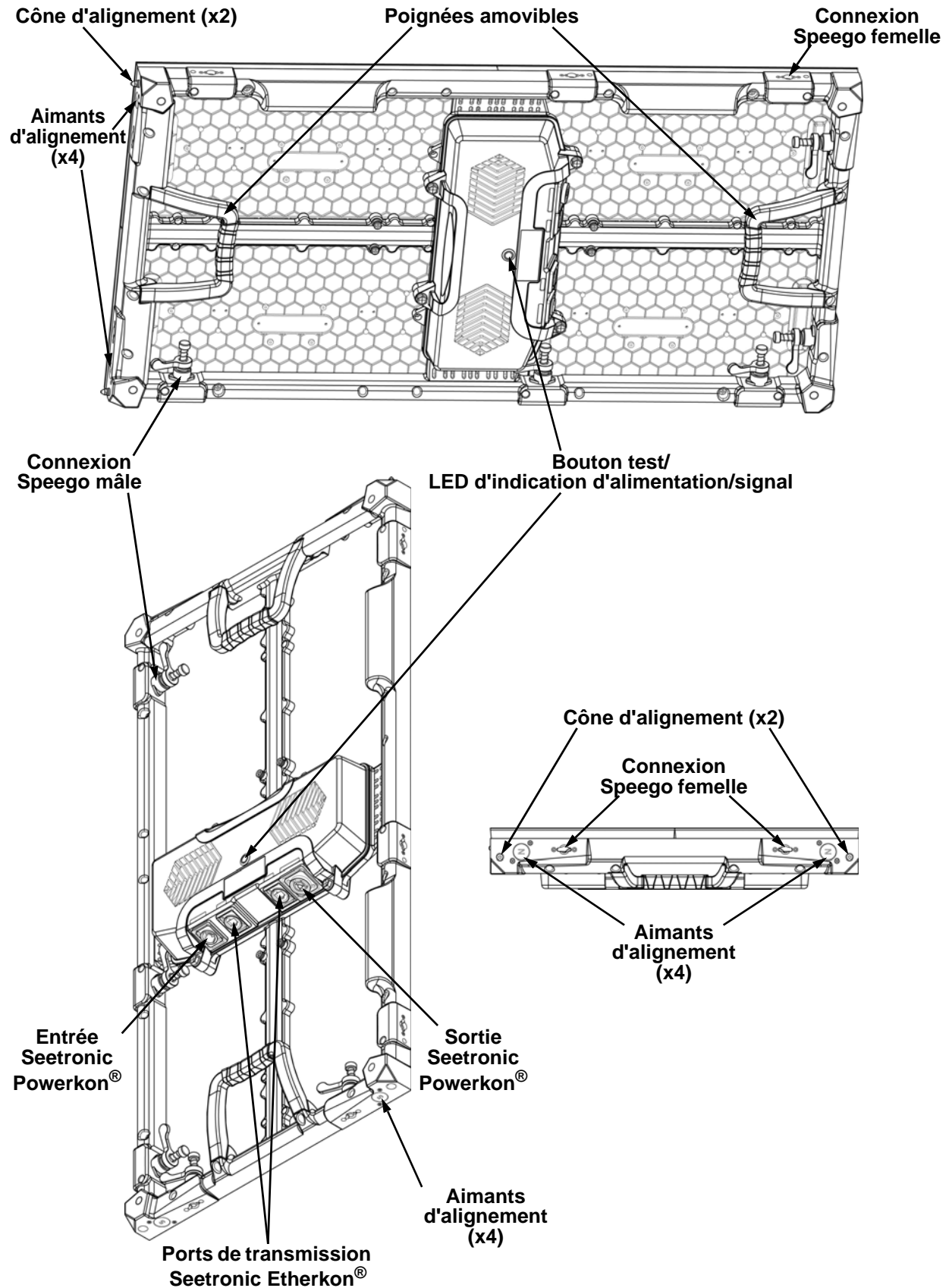
Accessoires optionnels

- ArKaos Media Master Express + KN software
- Rig Bar F-Series (RB-F50CM, RB F100CM)
- VIP Drive 21N (pilote NovaStar alternatif)

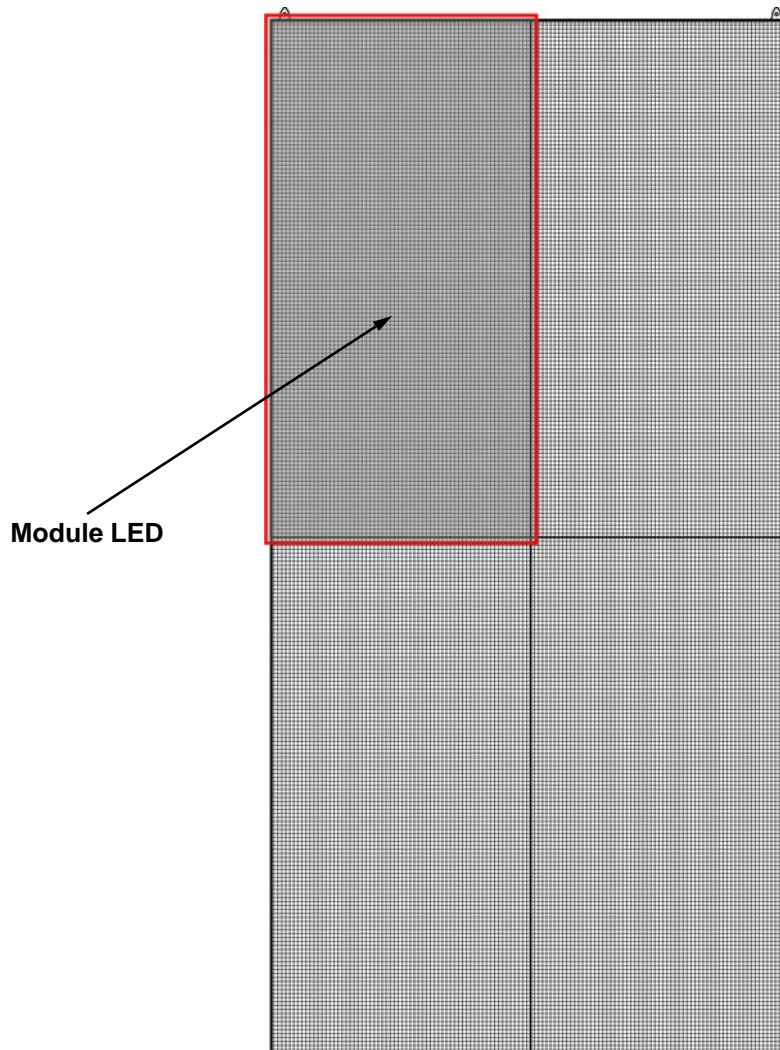
Câbles de signal et d'alimentation disponibles

- Câbles de signal (extensions de signal Neutrik® etherCON® CAT6)
 - ETHERCONEXT18IN
 - ETHERCONEXT5FT
 - ETHERCONEXT10FT
 - ETHERCONEXT25FT
 - ETHERCONEXT50FT
- Câbles d'alimentation (extensions Neutrik® powerCON®)
 - POWERCONEXT18IN
 - POWERCONEXT5FT
 - POWERCONEXT10FT
 - POWERCONEXT25FT
 - POWERCONEXT50FT

Vue d'ensemble de l'appareil



Pixels par panneau



Chaque pixel est représenté par une LED tricolore. Le tableau suivant indique le nombre de pixels par panneau pour chaque modèle de Vivid 4. Pour des spécifications détaillées, veuillez vous référer au tableau des [Spécifications techniques](#) à la fin de ce manuel d'utilisation.

Paramètre	Vivid 4
Pixels par panneau	104 x 208
Total de pixels par panneau	21 632
Pixels par module LED	52 x 104
Total de pixels par module LED	5 408
Dimensions de module LED	250 x 500 mm

Pour calculer le nombre de panneaux, à l'horizontale et en verticale, qui pourront être gérés par un seul contrôleur Vivid Drive 23N, vous avez besoin des éléments suivants:

- Le nombre de pixels par panneau.
- La résolution de l'écran que vous souhaitez utiliser pour votre affichage en mur vidéo.



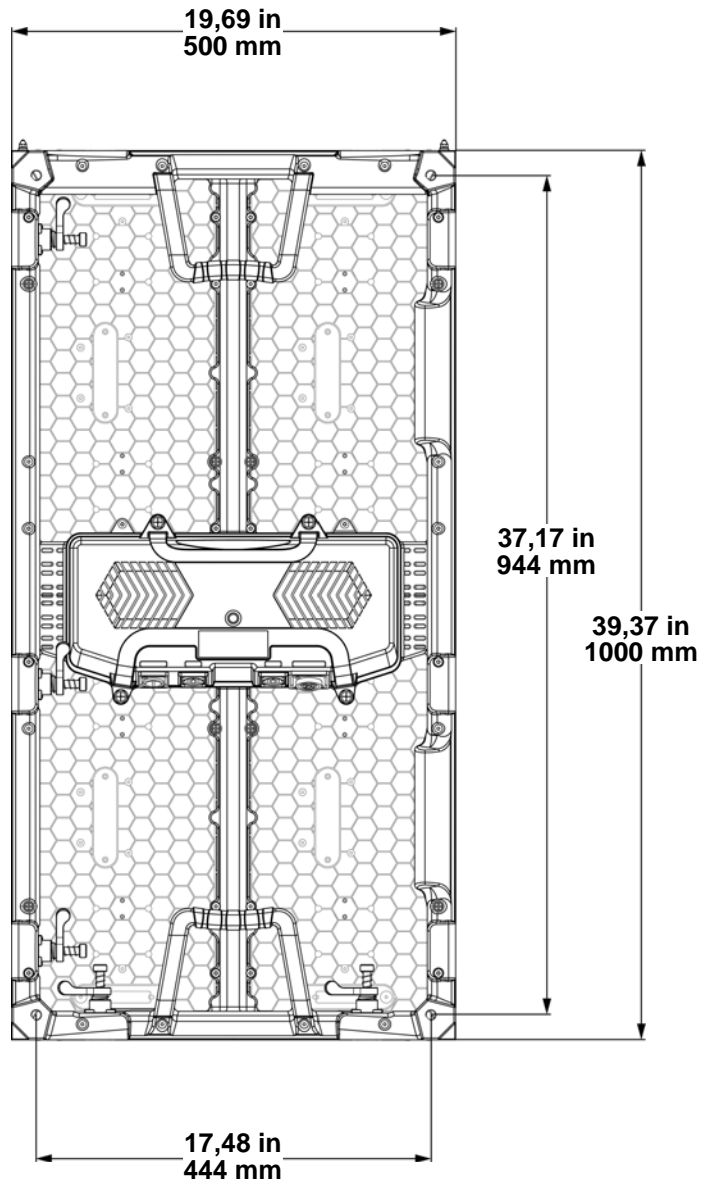
Un contrôleur Vivid Drive 23N est nécessaire pour faire fonctionner un système de mur vidéo Vivid 4. Vous trouverez plus loin dans ce manuel des schémas indiquant comment les panneaux Vivid 4 et le contrôleur Vivid Drive 23N interagissent. Pour des informations détaillées sur le Vivid Drive 23N et des exemples de calcul de panneau, veuillez vous référer au Manuel de référence du Vivid Drive 23N.

Dimensions de l'appareil

1,34 in
34 mm



2,56 in
65 mm



3. Installation

Alimentation CA

Chaque panneau Vivid 4 est doté d'une alimentation universelle qui peut prendre en charge n'importe quelle tension d'entrée comprise entre 100 et 240 V CA, 50/60 Hz. Pour connaître les besoins en alimentation de chaque Vivid 4, veuillez vous référer à l'étiquette collée sur l'appareil. Vous pouvez également vous référer au tableau des [Spécifications techniques](#) de ce manuel.

La capacité nominale affichée indique la consommation maximale de courant pendant le fonctionnement normal. Pour plus d'informations, vous pouvez télécharger le manuel "Sizing Circuit Breakers" (dimensionnement des disjoncteurs) sur le site internet de Chauvet à l'adresse: www.chauvetdj.com.



- **Cet appareil doit toujours être relié à un circuit protégé et correctement mis à la terre pour éviter tout risque d'électrocution ou d'incendie.**
- **Durant les périodes de non-utilisation, pour éviter toute usure inutile et pour prolonger la durée de vie, déconnectez entièrement l'appareil en le débranchant de l'alimentation électrique ou en coupant le disjoncteur.**



Ne connectez jamais cet appareil à un rhéostat (résistance variable) ou un circuit voileur, même si vous n'avez l'intention de vous servir du rhéostat ou du canal d'assombrissement que comme interrupteur 0 à 100%.

Prise CA

Chaque Vivid 4 est livré avec un câble de chaînage électrique permettant de relier les connexions d'alimentation entre les panneaux, ainsi qu'avec un câble d'entrée d'alimentation.

Ce câble dispose d'un connecteur Seetronic Powerkon[®] qui se branche sur le Vivid 4 et une prise Edison pour l'entrée d'alimentation.

Chaînage électrique

Tous les panneaux Vivid 4 prennent en charge le chaînage électrique. Veuillez vous référer au tableau suivant pour les spécifications de chaque panneau.

Tension	Appareils Vivid 4
@ 120 V, 60 Hz	7
@ 230 V, 50 Hz	13



Veuillez vous référer à l'ensemble des codes et règlements locaux en vigueur pour une installation correcte de cet appareil.

4. Fixation

Orientation

Chaque Vivid 4 est constitué d'un alliage de magnésium moulé sous pression. Cela garanti la stabilité et la facilité d'installation de chaque panneau. Chaque panneau dispose également d'une poignée intégrée pratique située sur le dessus de la face arrière, ainsi que d'un picot d'alignement situé sur le haut. Cet ensemble vous permet de facilement saisir et maintenir en toute sécurité chaque panneau lors de son montage et de son utilisation.

Les Vivid 4 peuvent être assemblés pour constituer de nombreuses configurations modulaires. Les panneaux situés sur le dessus peuvent être accrochés en toute sécurité à un treillis ou toute autre surface stable.

Toujours veiller à accrocher en laissant suffisamment d'espace pour la ventilation, la configuration et l'entretien.

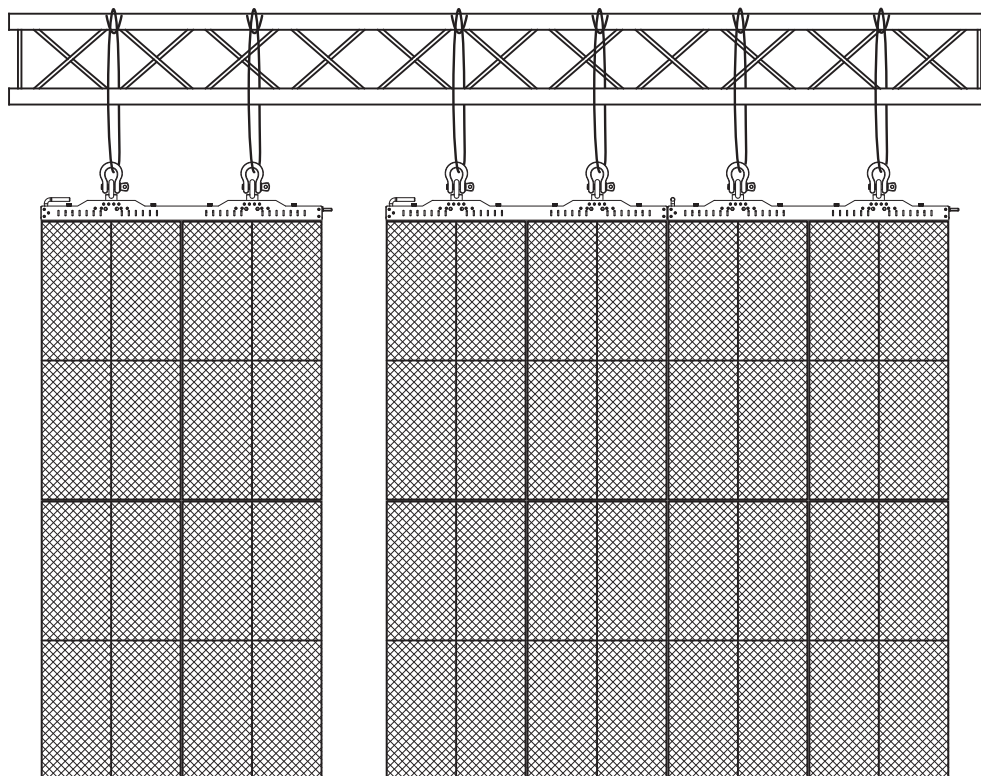
Chauvet recommande de suivre les recommandations générales qui suivent.

- Lors du choix d'un emplacement pour l'installation, veuillez prendre en considération la facilité d'accès pour l'utilisation et l'entretien régulier.
- Assurez-vous d'accrocher ce produit à l'écart de toute matière inflammable comme indiqué dans la section [Consignes de Sécurité](#).
- Ne montez jamais l'appareil dans des endroits où la pluie, des changements de température extrêmes ou un manque de ventilation pourraient endommager l'appareil.
- Assurez-vous que la structure et les points d'attache auxquels vous accrochez les panneaux peuvent supporter le poids.
- Assurez-vous que l'intégralité du matériel de fixation utilisé peut supporter le poids.
- Veuillez consulter la section [Spécifications techniques](#) pour les exigences en poids de chaque Vivid 4.

Installation sur treillis

Veillez vous référer au schéma suivant pour l'installation sur un treillis. Chauvet propose des Rig Bar F-Series (vendues séparément) spécialement conçues pour accrocher les panneaux.

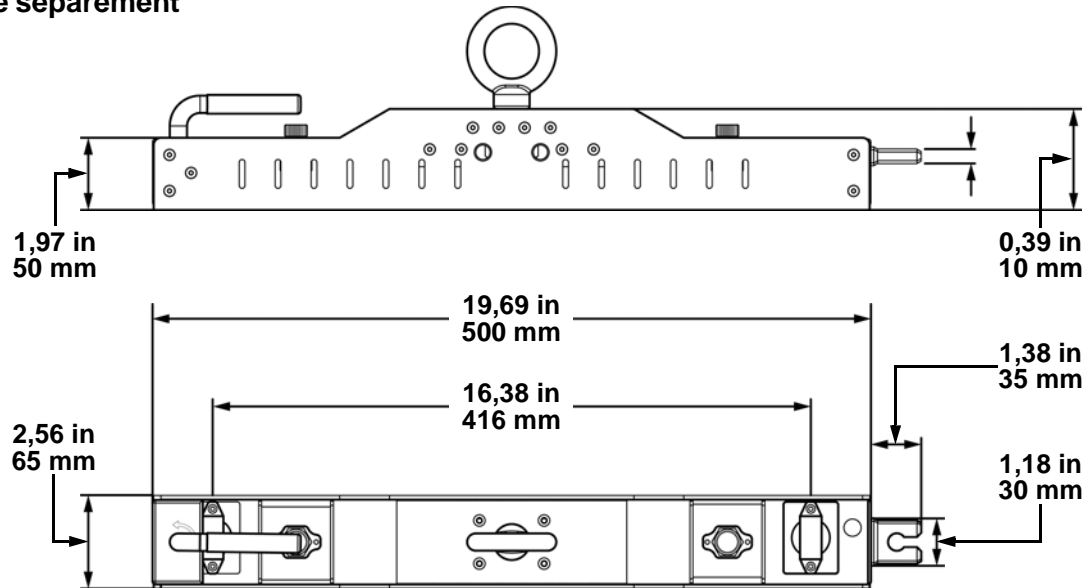
Fixation sur un treillis à l'aide de la Rig Bar F-Series en option



Les illustrations ci-dessus ne sont que des exemples. Veuillez vous référer à l'ensemble des codes et règlements locaux en vigueur pour une installation correcte de l'appareil.

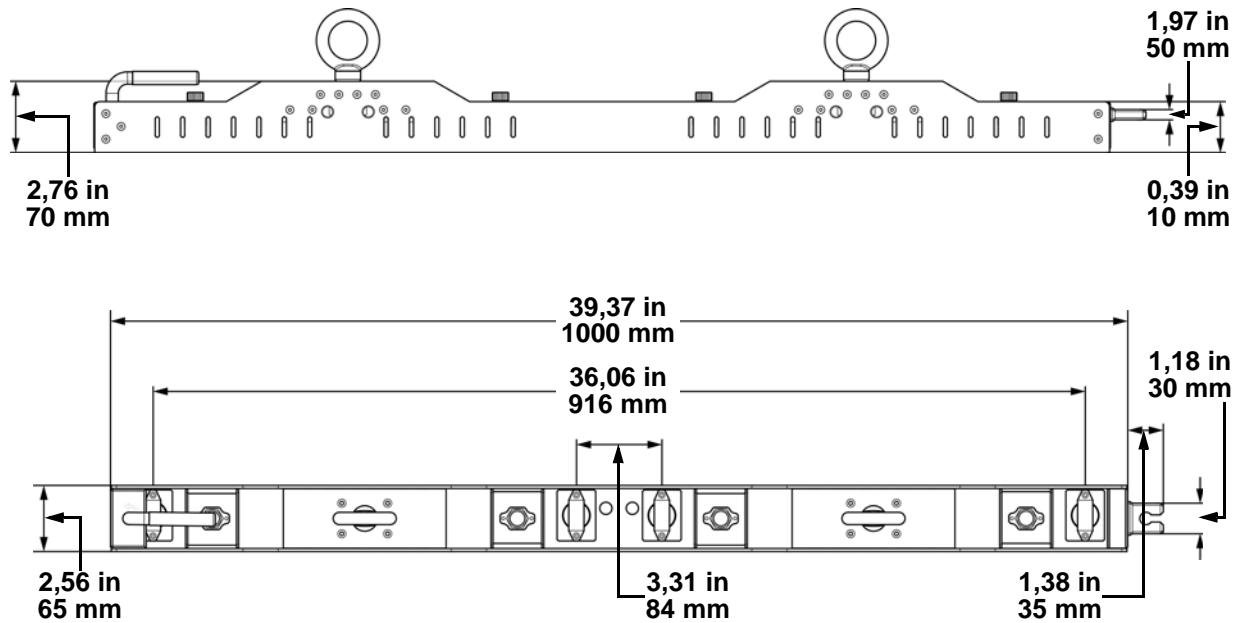
Dimensions de la Rig Bar RB-F50CM

Vendue séparément

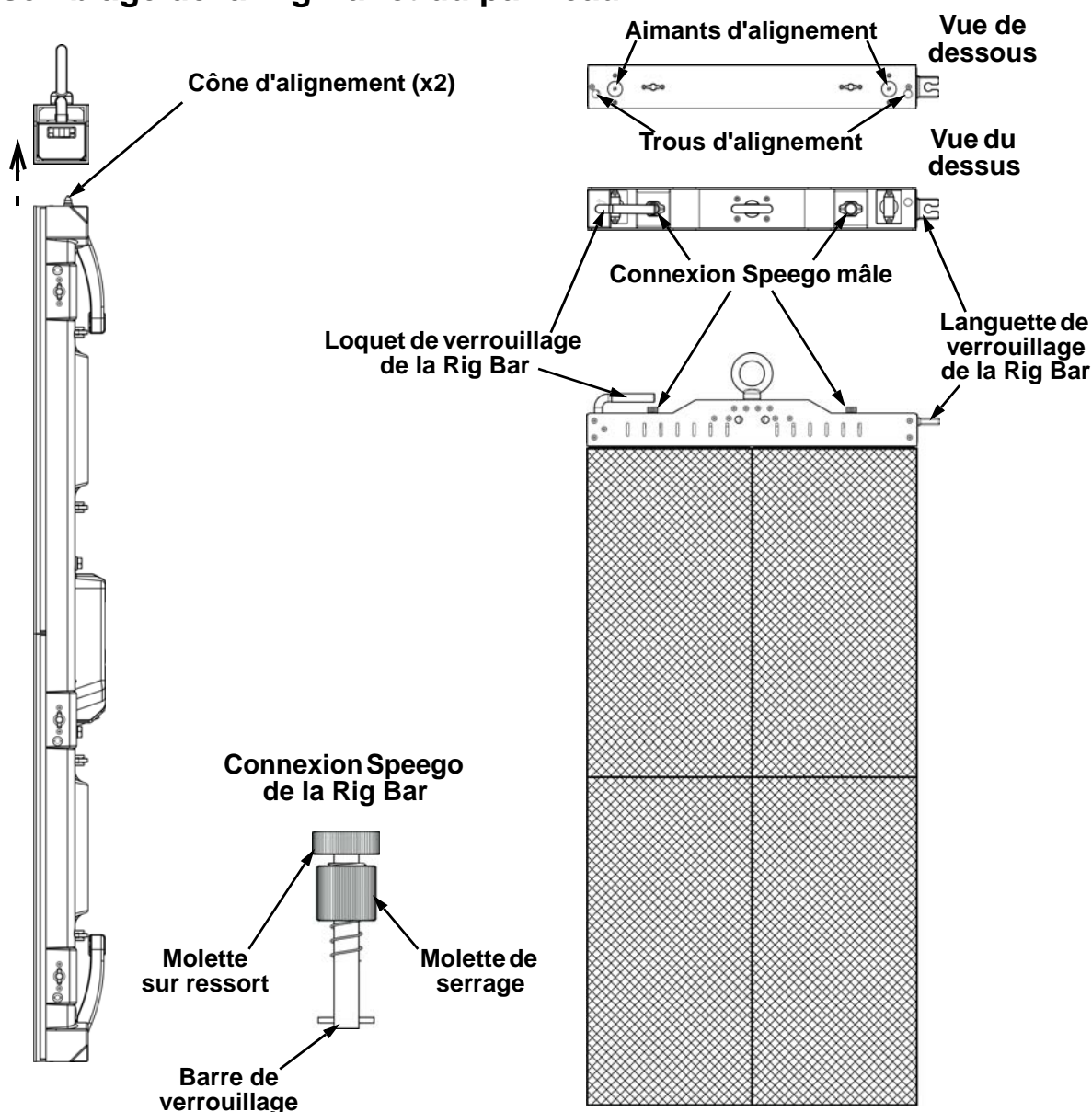


Dimensions de la Rig Bar RB-F100CM

Vendue séparément



Assemblage de la Rig Bar et du panneau



1. Insérez les cônes d'alignement dans les trous d'alignement jusqu'à ce que les aimants se connectent.
2. Insérez les barres de verrouillage Speego de la Rig Bar dans les connexions Speego femelles du Vivid 4.
3. Tournez de 90° la molette sur ressort de la connexion Speego de la Rig Bar jusqu'à ce qu'elle se verrouille en place.
4. Tournez la molette de serrage dans le sens des aiguilles d'une montre jusqu'à ce que le Vivid 4 soit bien fixé à la Rig Bar.
5. Pour détacher la Rig Bar du Vivid 4, effectuez les étapes précédentes en ordre inverse.

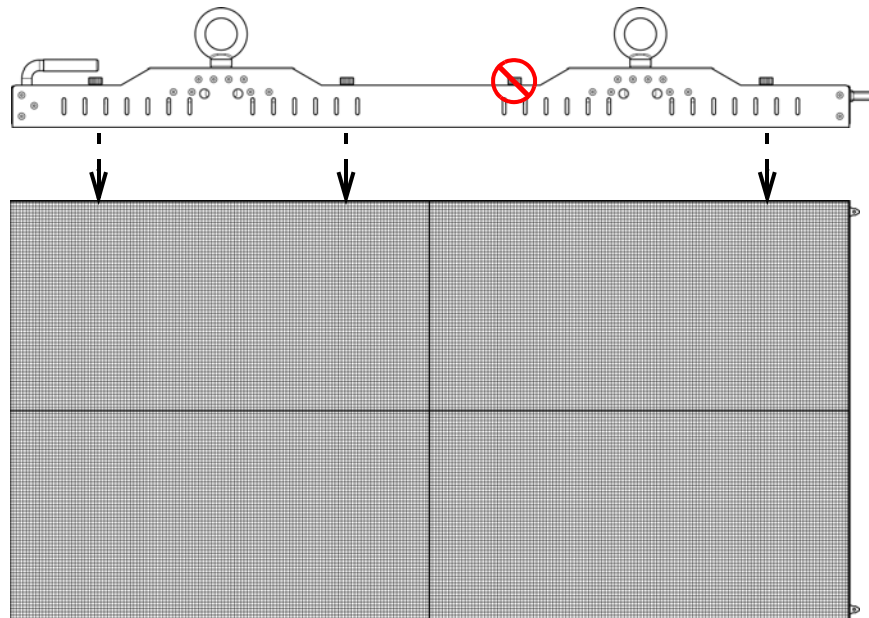


- Les aimants d'alignement du Vivid 4 et de la Rig Bar F-Series sont conçus pour supporter de manière temporaire le poids du panneau et pour permettre à l'utilisateur d'aligner et de serrer correctement le panneau en place.
- Chaque côté du Vivid 4 dotées de connexions Speego femelles peut être fixé à une Rig Bar F-Series, cependant seul le côté court dispose de cônes et d'aimants d'alignement. Lorsque vous souhaitez fixer le côté long du Vivid 4 à une Rig Bar, assurez-vous bien que les pixels sont alignés d'un panneau à l'autre.



Attention! Les fixations magnétiques ne permettent pas de supporter de poids et servent uniquement d'aide à l'alignement. Ne relâchez pas le panneau tant que le matériel de suspension n'a pas été correctement fixé.

Autre assemblage de la Rig Bar et du panneau



Le Vivid 4 peut être installé à l'horizontale avec la barre d'attache RB-F100CM. Suivez les mêmes instructions que pour [Assemblage de la Rig Bar et du panneau](#), tout en prenant un soin particulier car les côtés longs de l'appareil ne disposent pas de cônes d'alignement ou d'aimants.

Lors de l'installation horizontale sur le RB-F100CM, l'une des connexions Speego de la barre d'attache n'est pas utilisée.

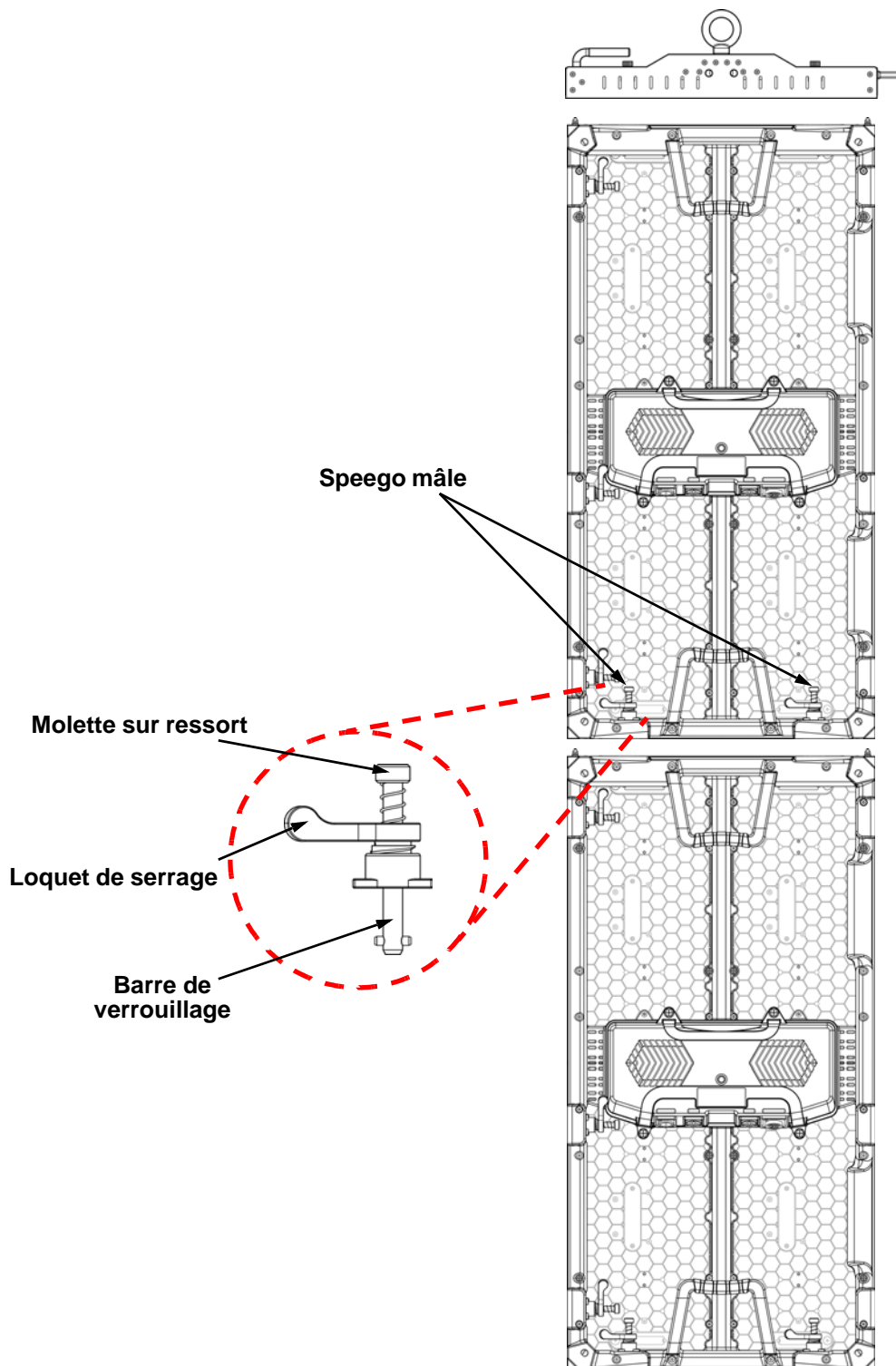
Montage sur pont Truss avec pince Chauvet CT-APP

Le Vivid 4 (avec la Rig Bar F-Series) peut être monté sur un pont à l'aide de la pince CT-APP de TRUSST®. Consultez le Guide de référence rapide de la pince CT-APP sur le site de trusst.com pour plus d'informations.

5. Création d'une configuration modulaire

Assemblage vertical des panneaux

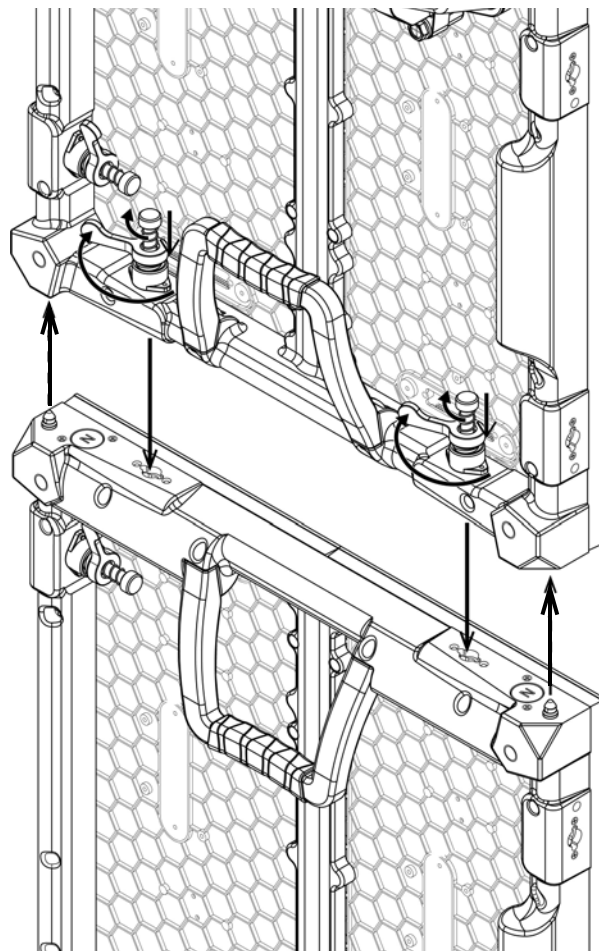
Chaque Vivid 4 peut être facilement assemblé de manière verticale sur un treillis à l'aide d'une barre d'attache (vendue séparément) et des deux connexions Speego femelles situées au niveau des coins supérieurs de chaque panneau. Utilisez les connexions Speego mâles situées en bas de chaque panneau pour connecter des panneaux supplémentaires. Ces connecteurs restent encastrés lorsqu'ils ne sont pas utilisés.



Connexion verticale des panneaux

Utilisez les instructions qui suivent pour assembler des panneaux verticalement:

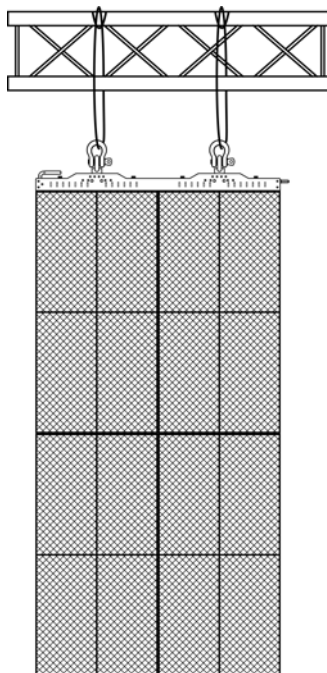
1. Alignez les cônes d'alignement sur le dessus de chaque panneau avec les aimants d'alignement en bas et en haut de chaque panneau.
2. Insérez les connexions Speego mâles dans les connexions Speego femelles.
3. Tournez les molettes sur ressort dans les sens des aiguilles d'une montre sur 90°.
4. Tournez les loquets de verrouillage dans le sens des aiguilles d'une montre de 180° jusqu'à ce qu'ils soient bien serrés.



Attention! Les fixations magnétiques ne permettent pas de supporter de poids et servent uniquement d'aide à l'alignement. Ne relâchez pas le panneau tant que le matériel de suspension n'a pas été correctement fixé.

Assemblage horizontal des panneaux

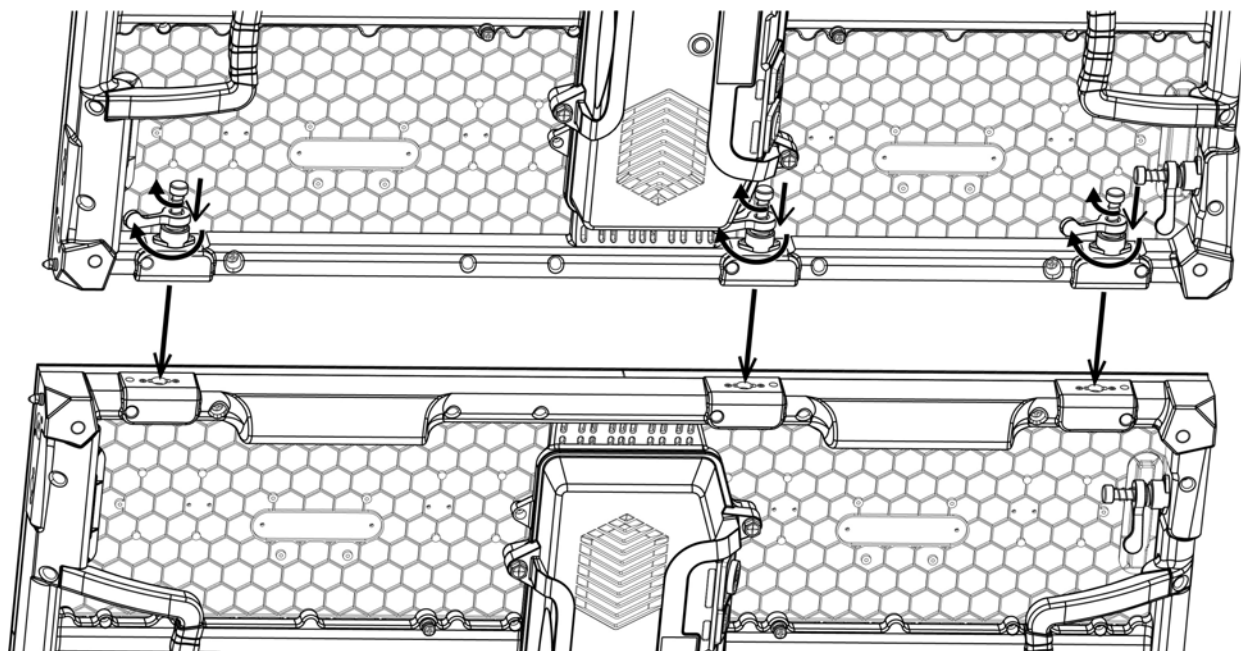
Chaque Vivid 4 peut être facilement assemblé horizontalement en utilisant les connexions Speego situées à l'intérieur, sur le côté gauche, en haut et en bas de chaque panneau.



Connexion horizontale des panneaux

Utilisez les instructions qui suivent pour assembler des panneaux horizontalement:

1. Alignez chacune des connexions Speego mâles des panneaux avec les connexions Speego femelles correspondantes des panneaux à ajouter.
2. Insérez les connexions Speego mâles dans les connexions Speego femelles.
3. Tournez les molettes sur ressort dans les sens des aiguilles d'une montre sur 90°.
4. Tournez les loquets de verrouillage dans le sens des aiguilles d'une montre de 180° jusqu'à ce qu'ils soient bien serrés.



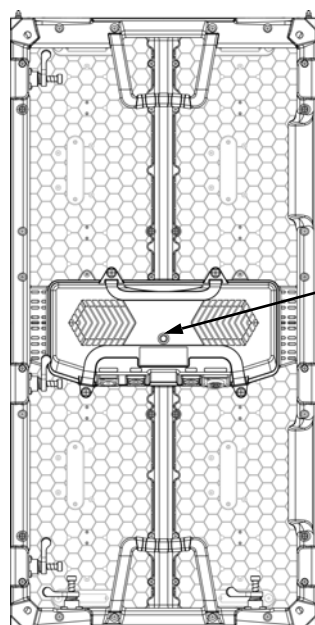
6. Connexion et câblage

Test des connexions de signal et d'alimentation

Chaque Vivid 4 est équipé de 2 prises d'alimentation et de 2 ports de signal.

- Les connexions de signal et d'alimentation sont situées sur le côté inférieur droit de chaque panneau.
- Les ports de signal peuvent être utilisés indifféremment.
- Chaque Vivid 4 dispose d'un voyant LED sur le bouton test au centre du panneau.
- Chaque panneau indique qu'une connexion à l'alimentation s'est effectuée avec succès en affichant un voyant d'indication rouge fixe.
- Chaque panneau indique la présence d'un signal lorsque le voyant LED se met à clignoter rapidement en vert. Lorsque le voyant LED clignote en vert lentement, cela indique une absence de signal.

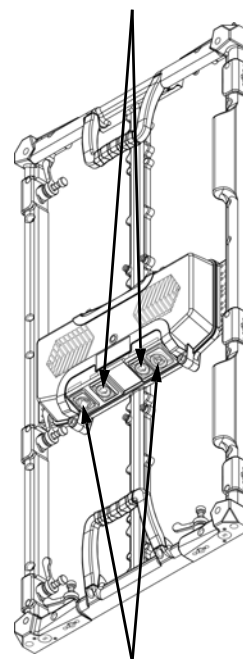
Vue du panneau arrière



Bouton test/
LED d'indication
d'alimentation/
signal

Vue de la face inférieure
de l'accès pour entretien

Connexions du signal



Entrée/sortie d'alimentation

Utilisation du bouton Test du Vivid 4

Chaque Vivid 4 dispose également d'un bouton Test utilisé pour s'assurer que toutes les LEDs fonctionnent. Utilisez le bouton Test de chaque panneau pour effectuer un test automatique. Lors des tests automatiques, vous devez procéder à un Vivid 4 à la fois. Il n'est pas nécessaire de connecter le panneau à un signal ou d'utiliser un logiciel.



Lors de l'utilisation du bouton Test, assurez-vous que le Vivid 4 n'est pas connecté au Vivid Drive 23N.

Pour utiliser le bouton Test, vous devez connecter l'alimentation, mais pas les câbles de signal. Appuyez sur le bouton test pour parcourir les différentes configurations d'affichage de lumière LED.

Connexion des câbles d'alimentation et de signal

Les sections suivantes fournissent des informations et des schémas sur la connexion du signal et de l'alimentation entre les panneaux.

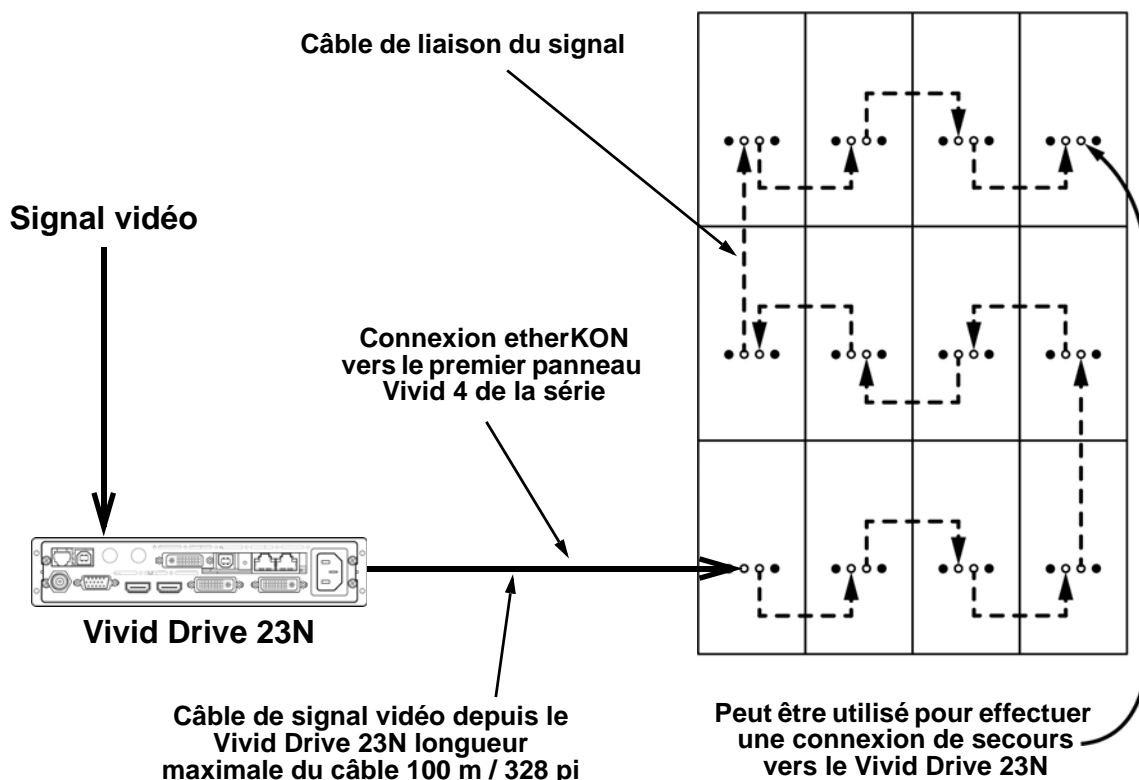
Veillez vous référer aux sections [Introduction](#) ou [Utilisation](#) de ce manuel d'utilisation pour les câbles disponibles et les numéros d'article.

Connexion du signal entre des panneaux assemblés

La connexion du signal entre les panneaux peut être effectuée de différentes manières. La configuration de base pour connecter le signal d'un panneau à un autre est la suivante:

1. Le signal source est connecté au premier panneau.
2. Un câble de signal est alors connecté à partir du premier panneau.
3. Les connexions continuent en chaîne jusqu'à ce que tous les panneaux soient connectés.
4. Le cheminement des câbles utilisé pour effectuer les connexions de signal peut varier.

Le schéma qui suit est une recommandation de branchements de signal entre les panneaux.



Connexion de l'alimentation entre des panneaux assemblés

La connexion du câble d'alimentation entre les panneaux peut également être effectuée de différentes manières. La configuration de base pour connecter l'arrivée en alimentation d'un panneau à un autre est la suivante.

1. L'alimentation principale est connectée à l'entrée ou la sortie d'alimentation du premier panneau.
2. Un câble d'alimentation est alors connecté à la sortie d'alimentation du premier panneau et connecté à l'entrée d'alimentation du panneau suivant.
3. Les connexions continuent jusqu'à ce que tous les panneaux soient connectés.

Connectez l'alimentation entre les panneaux en utilisant la même procédure que pour le signal mais en utilisant les connecteurs d'entrée et de sortie d'alimentation. Vous devez respecter les spécifications de chaînage électrique pour chaque modèle de Vivid 4.

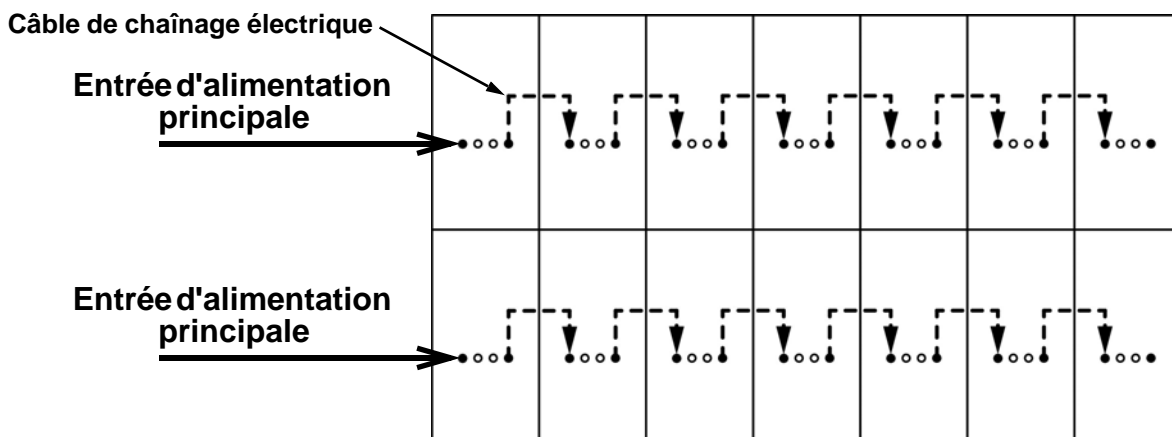
Veillez vous référer à la section [Chaînage électrique](#) pour plus de détails sur le nombre de panneaux qui peuvent être reliés en fonction de la tension d'une seule connexion d'alimentation.



Le chaînage électrique d'un nombre de panneaux supérieur à celui recommandé annule votre garantie et augmente le risque d'électrocution ou d'incendie!

Veillez vous référer au schéma suivant pour un exemple de connexion d'alimentation à partir du secteur jusqu'à chaque panneau connecté.

Cet exemple utilise un chaînage électrique horizontal de 7 panneaux Vivid 4 sur du 120V.



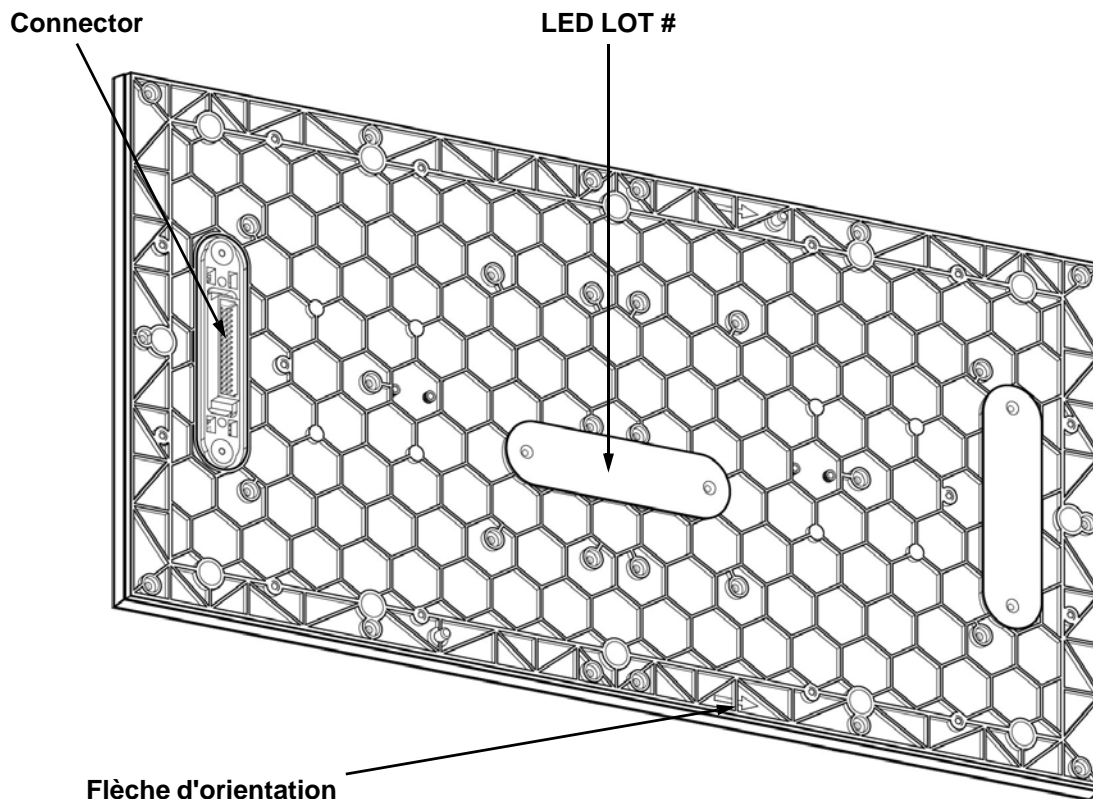
7. Entretien des modules LED

Module LED Vivid 4

Chaque Vivid 4 comporte 4 modules LED connectés au cadre du panneau par des vis. Chaque module dispose d'un unique connecteur relié à l'unité de traitement centrale.

Numéros de lot LED

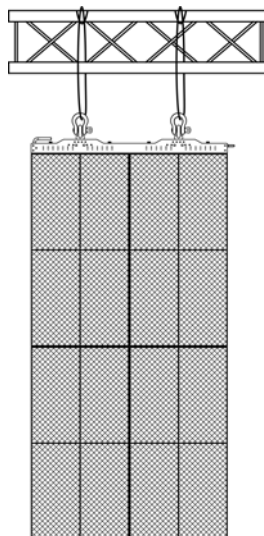
Pour s'assurer d'un ensemble cohérent des couleurs et de la sortie, remplacez les modules endommagés ou défectueux avec des modules portant le même numéro de lot LED. Lors de la combinaison de panneaux pour former des systèmes entiers de mur vidéo (location, installations permanentes, etc...), il est fortement recommandé que le numéro de lot LED de chaque panneau soit identique. Le numéro de lot LED peut être trouvé à l'arrière de chaque panneau.



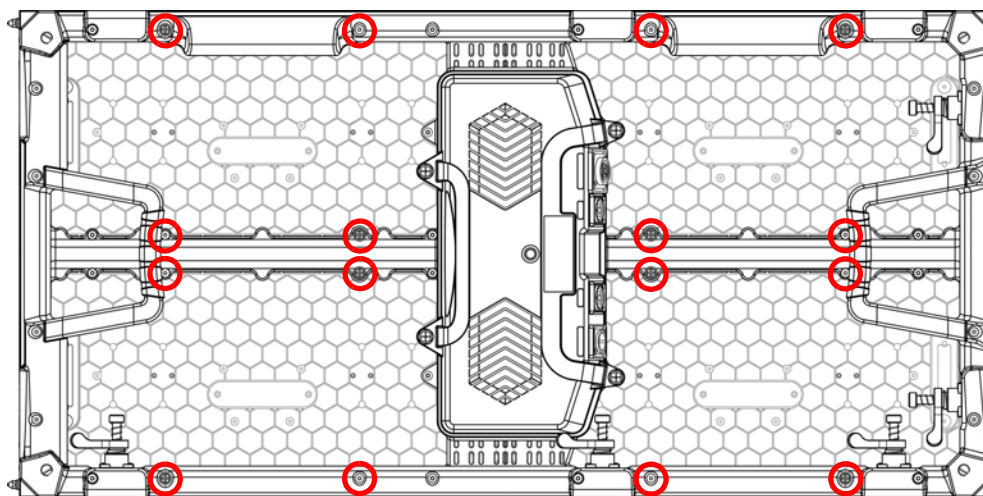
Modules A et B

Le Vivid 4 dispose de 2 types de modules conçus pour se brancher dans le module de service dans un seul sens. Vérifiez le placement du connecteur lorsque la flèche d'orientation point vers le haut pour déterminer si le module est de type A (moitié haute, connecteur en bas) ou de type B (moitié basse, connecteur en haut).

Dépose de module LED du Vivid 4



1. Identifiez le module devant être retiré.
2. Retirez ce panneau de l'ensemble du mur vidéo et placez-le vers l'avant sur une surface plane.



3. Retirez les 4 vis fixant le module sélectionné avec un tournevis Phillips.
4. Avec de plus en plus de force et en prenant soin de ne pas endommager le connecteur, éloignez le module du cadre jusqu'à ce que le connecteur se détache.



Procédez avec attention lors de la dépose du module pour ne pas endommager les connecteurs fixés à l'arrière du module.

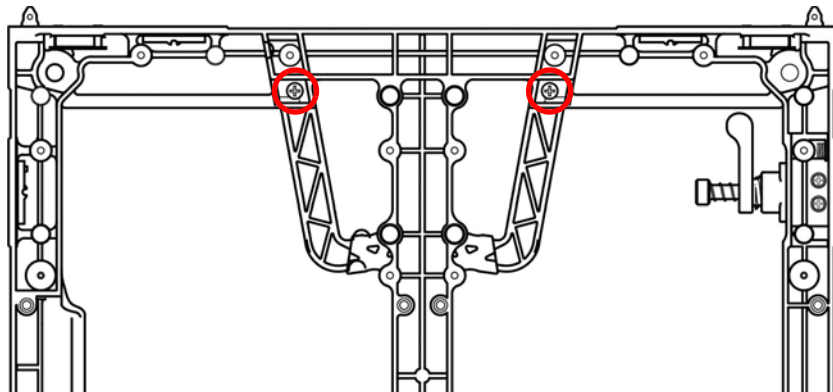
5. Effectuez les étapes ci-dessus dans l'ordre inverse pour installer le nouveau module.

8. Configuration du panneau

Retrait et installation des poignées

Le Vivid 4 est livré avec 2 poignées qui peuvent être retirées si nécessaire.

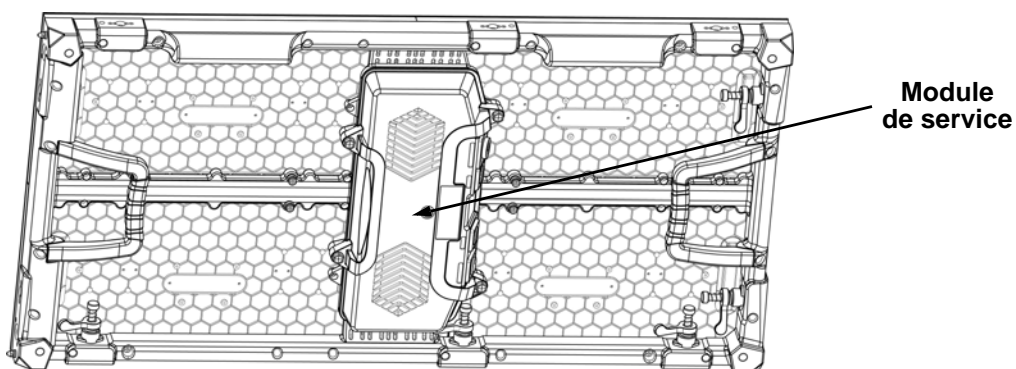
1. Enlevez les modules du panneau comme indiqué à la section [Entretien des modules LED](#).
2. Depuis l'avant du panneau, retirez les 2 vis fixant la poignée au produit avec un tournevis Phillips.



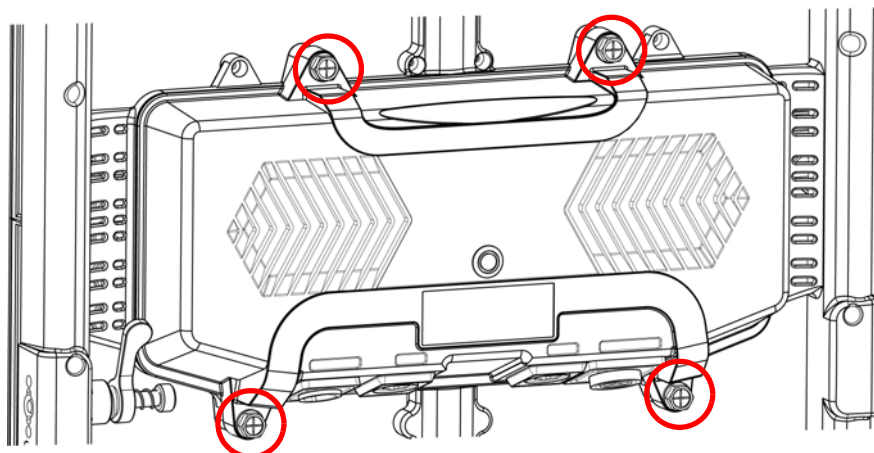
3. Réinstallez les modules.
4. Effectuez les étapes en ordre inverse pour réinstaller les poignées.

Accès au module de service.

Le module de service Vivid 4 est accessible depuis l'arrière du panneau.



Pour accéder au module de service du Vivid 4, enlevez les 4 vis indiquées sur le schéma ci-dessous.



Procédez avec soin lors de la dépose de ces vis car le couvercle du module de service sera détaché du cadre du panneau. Tous les composants du module de service sont fixés sur le couvercle.

9. Installation type

Étant donné qu'un système de mur vidéo peut inclure une multitude de composants pour former une configuration de mur modulaire qui va du simple au complexe, suivez les étapes suivantes d'une manière générale pour débiter.

Étape 1

Ouvrez et inspectez la mallette du Vivid 4 pour vous assurer que vous avez reçu tous les appareils et accessoires et que chacun est en bon état.

Étape 2

Branchez et lancez le test automatique pour chaque Vivid 4 pour vous assurer que l'intégralité des LEDs et des connexions internes de chaque panneau fonctionnent (optionnel).

Étape 3

Préparez une surface stable (par exemple un treillis ou toute autre surface stable) pour l'installation du Vivid 4.

Étape 4

Installez la première rangée supérieure de Vivid 4s. Référez vous à la section [Fixation](#) de ce manuel d'utilisation.

Étape 5

Réglez l'alignement de la première rangée en utilisant les connecteurs Speego.

Étape 6

Connectez la source de signal au Vivid Drive 23N.

Étape 7

Connectez le Vivid Drive 23N au port de signal du premier panneau de votre chaîne de connexion.

Étape 8

Selon votre configuration (conception) de mur vidéo, assemblez chaque panneau, soit horizontalement ou verticalement, en utilisant les instructions de la section [Création d'une configuration modulaire](#).

Référez-vous aux instructions et aux informations contenues dans la section [Connexion et câblage](#).

10. Utilisation

Matériel et logiciel additionnels

En plus des panneaux, vous aurez également besoin de matériel et logiciels supplémentaires pour concevoir, construire et faire fonctionner votre système de mur vidéo VIP. Le tableau qui suit résume ces articles supplémentaires, certains étant requis et d'autre optionnels.

Article	Description
Vivid Drive 23N	Interface entre la source de signal, le logiciel NovaLCT-Mars et le Vivid 4 utilisé
NovaLCT-Mars	Logiciel utilisé pour concevoir et faire fonctionner les Vivid 4s qui constituent un mur vidéo. Un ordinateur est nécessaire
F-Series Rig Bar (en option)	Contient le matériel nécessaire pour monter des Vivid 4
Câble d'extension de signal Neutrik® etherCON® (en option)	Câble d'extension Neutrik etherCON CAT6, 18 pi Câble d'extension Neutrik etherCON CAT6, 5 pi Câble d'extension Neutrik etherCON CAT6, 10 pi Câble d'extension Neutrik etherCON CAT6, 25 pi Câble d'extension Neutrik etherCON CAT6, 50 pi
Câble d'extension Neutrik® powerCON® (en option)	Câble d'extension Neutrik powerCON, 18 pi Câble d'extension Neutrik powerCON, 5 pi Câble d'extension Neutrik powerCON, 10 pi Câble d'extension Neutrik powerCON, 25 pi Câble d'extension Neutrik powerCON, 50 pi
VIP Media System	Système vidéo sur ordinateur montable en rack
ArKaos MediaMaster	Logiciel de lecture vidéo

A propos du NovaLCT-Mars

NovaLCT-Mars est un logiciel puissant et intuitif utilisé pour concevoir et faire fonctionner des systèmes de mur vidéo Vivid 4. Les informations qui suivent donnent quelques éléments d'introduction sur le logiciel. Référez-vous au manuel d'utilisation du Vivid Drive 23N pour obtenir des informations détaillées et des instructions sur le paramétrage et l'utilisation du logiciel NovaLCT-Mars avec votre système de mur vidéo Chauvet Vivid 4.

Description

Le logiciel NovaLCT-Mars vous permet de créer et contrôler votre mur vidéo en pilotant les panneaux qui composent votre mur vidéo, y inclut le pas de pixel et la disposition.

Une fois votre configuration de mur vidéo modulaire effectivement réalisée par assemblage des panneaux, par connexion à l'alimentation, au signal et au Vivid Drive 23N, vous devez recréer cette conception dans le logiciel NovaLCT-Mars.

Des informations et instructions détaillées sont disponibles dans le manuel d'utilisation de Vivid Drive 23N.



Chauvet ne recommande pas d'utiliser le logiciel NovaLCT-Mars pour une lecture en live lors d'un spectacle. Dans de tel cas, Chauvet propose le logiciel Arkaos MediaMaster qui offre de nombreux déclencheurs de lecture, par exemple par DMX, Art-Net, MA-Net, MIDI ou QWERTY.

11. Informations techniques

Entretien du Vivid 4

Pour une performance optimale et une usure minimisée, cet appareil doit être nettoyé régulièrement par l'utilisateur. Les conditions environnementales et d'utilisation peuvent exiger un nettoyage plus fréquent.

En règle générale, vous devez nettoyer l'appareil au moins deux fois par mois. L'accumulation de poussière réduit la sortie de lumière et peut entraîner une surchauffe de l'appareil. La durée de vie des sources lumineuses s'en trouve réduite et l'usure mécanique accrue.

Pour nettoyer un Vivid 4, suivez les instructions ci-dessous:

1. Débranchez le panneau.
2. Attendez que l'appareil soit à la température ambiante.
3. Utilisez une brosse douce pour enlever la poussière accumulée sur les composants externes.
4. Essuyez l'extérieur des modules LED avec un chiffon doux non pelucheux imbibé d'une solution d'eau et de détergent. Appliquez uniquement par pressions légères.
5. Assurez-vous que toutes les connexions soient bien sèches avant de rebrancher les câbles d'alimentation et de signal.



Assurez-vous de bien sécher toutes les surfaces externes après les avoir nettoyé.

Renvois

Vous devez nous retourner l'appareil ainsi que tous ses accessoires en port prépayé, dans sa boîte et avec son emballage d'origine. CHAUVET ne délivre pas d'étiquette de renvoi.

Téléphonez à Chauvet et demandez un numéro d'autorisation de retour (NAR) avant de nous réexpédier l'appareil. Pour l'obtenir, il vous sera demandé de fournir le numéro du modèle, le numéro de série ainsi qu'une brève description de l'objet du retour.

Pour pouvoir présenter une demande de service en ligne, visitez www.chauvetdj.com/service-request.

Indiquez lisiblement le NAR sur une étiquette apposée sur le colis. Chauvet refusera la réception de tout appareil pour lequel aucun NAR n'a été demandé.



N'écrivez PAS le NAR directement sur le colis. Écrivez le plutôt sur une étiquette apposée de manière appropriée.

Lorsque vous avez reçu le NAR, inscrivez les informations qui suivent sur une feuille de papier que vous placerez à l'intérieur du colis:

- Votre nom
- Votre adresse
- Votre numéro de téléphone
- Le NAR
- Une courte description du ou des problèmes

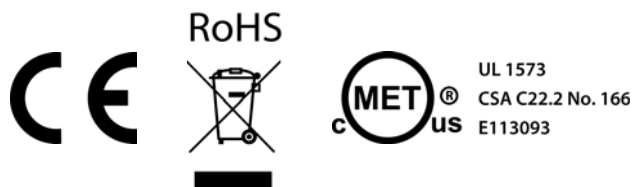
Veillez à emballer l'appareil de manière adéquate. Le client sera tenu responsable de tout dommage survenant lors de l'expédition de retour et causée par un emballage inapproprié. Nous vous recommandons d'utiliser un emballage double ou celui de FedEx.



CHAUVET se réserve le droit, à sa convenance, de réparer ou remplacer tout appareil qui lui est retourné.

12. Spécifications techniques

Source lumineuse	LED RGB SMD 1921 tricolore
Pixels par panneau	140 x 208 (21 632 au total)
Pas de pixel (entre les LEDs)	4,8 mm
Densité de pixel	43 264/m ²
Taux de rafraîchissement d'affichage	1 920 Hz
Angle de vision	120°
Puissance d'éclairage	1 000 NITS
Maximum Illuminance	1 200 NITS
Longueur d'onde rouge	615 à 625 nm
Longueur d'onde vert	516 à 530 nm
Longueur d'onde bleu	460 à 475 nm
Type d'alimentation	Commutation
Plage de tension CA	Entre 100 et 240 VCA, 50/60 Hz
Sélection de tension	Universelle
Consommation électrique à 120 V, 60 Hz	280 W, 2,3 A
Consommation électrique à 230 V, 50 Hz	280 W, 1,2 A
Chaînage électrique à 120 V, 60 Hz	7 unités
Chaînage électrique à 230 V, 50 Hz	13 unités
Dimensions	19,7 x 1,9 x 39,4 in (500 x 65 x 1000 mm)
Poids	27,6 lb (12,5 kg)
Transparence	0%
Matériau du boîtier	Alliage de magnésium moulé sous pression
Branchement électrique	Seetronic powerKON®
Connexion de données	Seetronic etherKON®
Nom de l'appareil	VIVID4X4
Code de l'article	23091329
Code UPC	781462216771



1. Erste Schritte

Packungsinhalt

- 4 Vivid 4
- Flightcase
- 1 Seetronic Powerkon[®] Stromkabel
- 4 Seetronic Powerkon[®] Stromkabel für Serienschaltung
- 4 Seetronic Etherkon[®] Signalkabel für Serienschaltung
- Garantiekarte
- Bedienungsanleitung

Schadensmeldung

Packen Sie das Produkt sofort vorsichtig aus und überprüfen Sie, ob Sie alle Teile vollständig und unbeschädigt erhalten haben.




Wenn die Verpackung oder die in der Verpackung befindlichen Teile (Gerät und Zubehör) beschädigt sind oder Mängel durch nicht einwandfreie Behandlung aufweisen, benachrichtigen Sie umgehend das Transportunternehmen, nicht jedoch Chauvet. Eine Nichtbeachtung dieser Pflicht zur umgehenden Meldung an das Transportunternehmen kann zu einem Erlöschen Ihres Anspruchs führen. Bewahren Sie überdies die Verpackung und den Inhalt für eine spätere Überprüfung auf.

Bei anderen Problemen wie etwa fehlende Komponenten oder Teile, Schäden, die nicht durch den Transport entstanden sind, oder nicht offensichtliche Schäden, machen Sie Ihren Anspruch gegenüber Chauvet innerhalb von 7 Tagen ab Lieferung der Waren geltend.

Textkonventionen

Konvention	Bedeutung
1–512	Eine Bandbreite an Werten
50/60	Ein Wertesatz, aus dem nur ein Wert ausgewählt werden kann
Settings	Eine Gerätefunktion oder Menüoption
<ENTER>	Eine zu betätigende Taste auf dem Bedienfeld des Geräts

Symbole

Symbol	Bedeutung
	Wichtige Informationen zur Installation, Konfiguration und zum Betrieb. Bei Nichtbeachtung dieser Anweisungen kann es zu Fehlfunktionen oder Beschädigungen des Geräts oder zu Verletzungen des Bedieners kommen.
	Wichtige Informationen zur Installation oder Konfiguration. Wenn diese Informationen nicht beachtet werden, kann es zu Fehlfunktionen kommen.
	Nützliche Informationen

Haftungsausschluss

Die in der vorliegenden Bedienungsanleitung enthaltenen Informationen werden von Chauvet als in jeder Hinsicht korrekt angesehen. Chauvet übernimmt jedoch keine Verantwortung und insbesondere keine Haftung für durch Fehler oder fehlende Angaben in diesem Dokument verursachte Verluste, Beschädigungen oder Unterbrechungen, gleich ob diese Fehler oder fehlenden Angaben die Folge von Verletzungen der Sorgfaltspflicht, von Unfällen oder anderen Ursachen sind. Chauvet behält sich das Recht vor, jederzeit Änderungen an diesem Dokument vorzunehmen, ohne Personen oder Unternehmen über solche Änderungen informieren zu müssen. Chauvet ist jedoch nicht verpflichtet und sieht sich auch nicht in der Pflicht, solche Änderungen vorzunehmen. den Sie sich die neueste Version hier herunter: www.chauvetdj.com.

Das in dieser Bedienungsanleitung enthaltene urheberrechtlich geschützte Werk, einschließlich aller Designelemente, Texte und Bilder, ist Eigentum von Chauvet.

© Copyright 2017 Chauvet & Sons, LLC. Alle Rechte vorbehalten.

In den USA von Chauvet elektronisch veröffentlicht.

CHAUVET, das Chauvet-Logo und Vivid 4 sind eingetragene Handelsmarken oder Handelsmarken von Chauvet & Sons LLC (Geschäfte tätigend als Chauvet und Chauvet Lighting) in den USA und in anderen Ländern. Weitere in diesem Dokument verwendete Unternehmens- und Produktnamen sowie Logos können Handelsmarken ihrer jeweiligen Eigentümer sein.

Sicherheitshinweise



- Schließen Sie dieses Gerät immer an die Masse an, um die Gefahr elektrischer Schläge zu reduzieren.
- Bei eingeschaltetem Gerät direkten Augenkontakt mit der Lichtquelle vermeiden.
- Stellen Sie sicher, dass das Netzkabel nicht gequetscht oder beschädigt ist.
- Ziehen Sie beim Trennen des Geräts von der Stromversorgung nie am Kabel.
- Verwenden Sie für die Montage der Effektgeräte über Kopf immer ordnungsgemäße Sicherheitskabel.
- Stellen Sie sicher, dass das Gerät mit einem Sicherheitsabstand zu entzündlichen Materialien betrieben wird.
- Niemals während des Betriebs das Gehäuse berühren, da dies sehr heiß wird.
- Die Spannung der Schuko-Steckdose, an die Sie das Gerät anschließen, muss sich innerhalb des Spannungsbereiches befinden, der auf dem Hinweisschild oder dem rückwärtigen Bedienfeld des Geräts angegeben ist.
- Dieses Gerät darf nur im Innenbereich verwendet werden. (IP30) Um das Risiko von Bränden oder elektrischen Schlägen zu vermeiden, dürfen Sie das Gerät nicht Regen oder Feuchtigkeit aussetzen.
- Installieren Sie das Gerät immer an einem Ort mit ausreichender Belüftung und mit einem Abstand von 50 cm zu den angrenzenden Flächen.
- Stellen Sie sicher, dass die Lüftungsöffnungen am Gehäuse des Geräts nicht verschlossen sind.
- Schließen Sie dieses Gerät niemals an einen Dimmer an.
- Tragen Sie das Gerät niemals am Netzkabel.
- Die maximal zulässige Umgebungstemperatur beträgt 40 °C. Nehmen Sie das Gerät nicht bei höheren Temperaturen in Betrieb.
- Bei ernsthaften Betriebsproblemen stoppen Sie umgehend die Verwendung des Geräts.
- Versuchen Sie nie selbst, dieses Gerät zu reparieren. Reparaturen müssen von entsprechend geschultem Fachpersonal durchgeführt werden, da sonst Schäden oder Fehlfunktionen auftreten können. Wenden Sie sich an den nächsten autorisierten Technischen Support.
- Um unnötigen Verschleiß zu vermeiden und die Lebensdauer des Geräts zu verlängern, trennen Sie während längerer Perioden des Nichtgebrauchs das Gerät vom Stromnetz – entweder per Trennschalter oder durch Herausziehen des Steckers aus der Steckdose.



Bitte heben Sie diese Bedienungsanleitung zur späteren Verwendung auf. Stellen Sie sicher, dass Sie bei einem Weiterverkauf dieses Geräts dieses Dokument beilegen.

2. Einleitung

Produktbeschreibung

Der Vivid 4 ist ein Videobildschirmsystem, das mit dem Steuerungsprotokoll Novastar betrieben wird. Der Vivid 4 ist ein 1 x 0,5 m großer LED-Videobildschirm, der sich idealerweise sowohl für Installationen als auch für Verleihmärkte eignet.

Eigenschaften

- Ein modularer Videobildschirm, der Inhalte lebhaft darstellt, ohne auf große Medienserver angewiesen zu sein
- Mehrere Magnete und Positionierstifte erlauben eine werkzeuglose Montage durch nur eine Person
- Erweiterte Abmessungen durch mehrere Speego-Verbinder sorgen für ein schnelleres Einrichten als bei anderen Bildschirmen
- Erzeugt einen perfekten Hintergrund für DJ und lässt sich nahtlos in Serato integrieren, um Musikvideos anzuzeigen
- Die Bildschirme können vertikal und horizontal aufgehängt werden, um verschiedenen Bildformaten zu entsprechen
- Duale Stromversorgung erhöht die Betriebssicherheit und stellt sicher, dass bei den nachgelagerten Bildschirmen kein Signalverlust auftritt
- LEDs mit einem schwarzen Gehäuse reproduzieren die Qualität von Videos mit hoher Auflösung
- Intelligente Module mit eigenem Speicher zur Verbesserung der Bildqualität und für eine einfachere Wartung
- Äußerst leicht aufgrund des Gehäuses aus Magnesium-Druckguss

Zusätzliche Geräte

- NovaStar-Treiber (Vivid Drive 23N oder VIP Drive 43Nova; erforderlich)

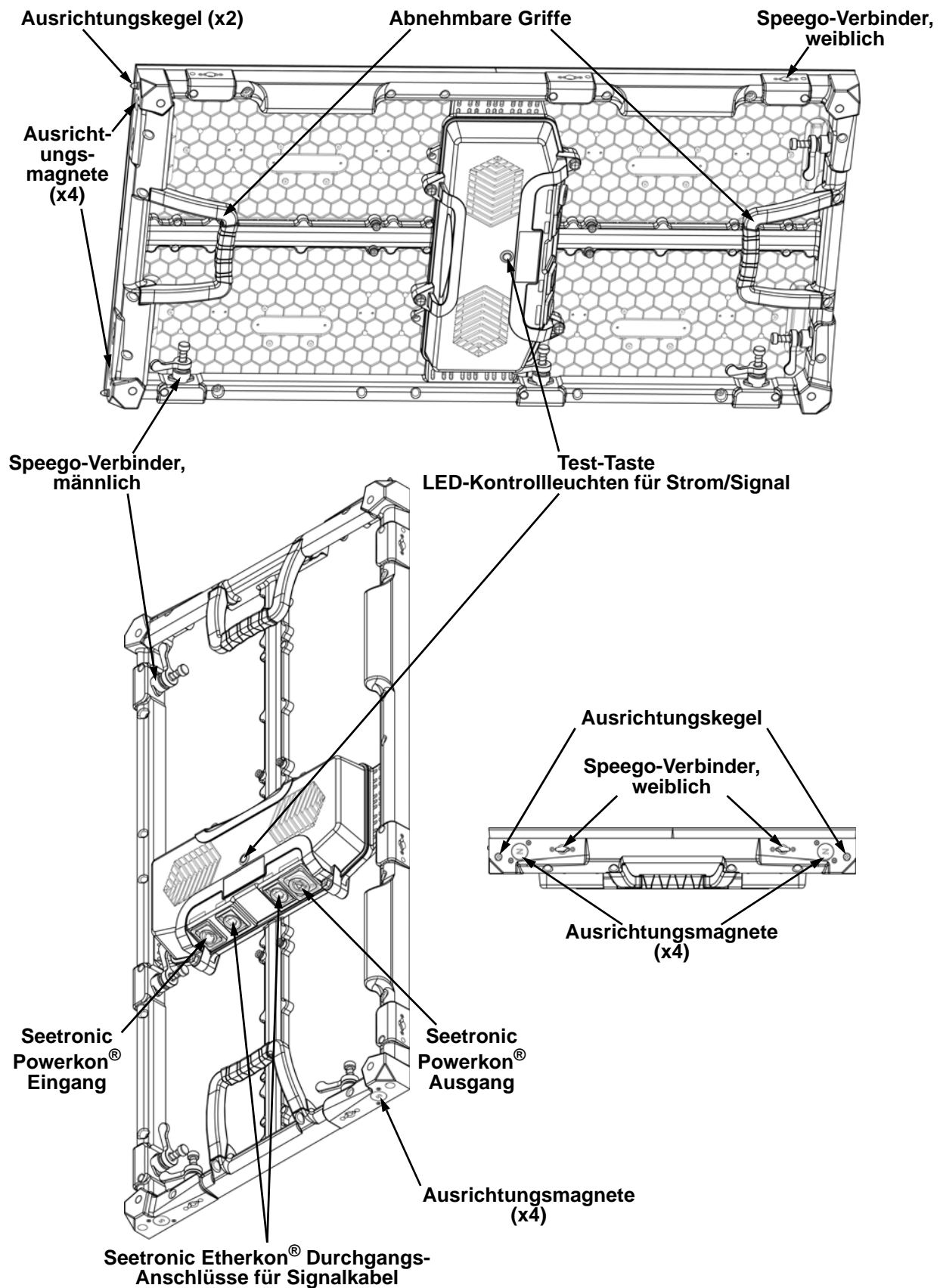
Optionales Zubehör

- ArKaos Media Master Express + KN-Software
- Rig Bar der F-Serie (RB-F50CM, RB F100CM)
- VIP Drive 21N (alternativ: NovaStar-Treiber)

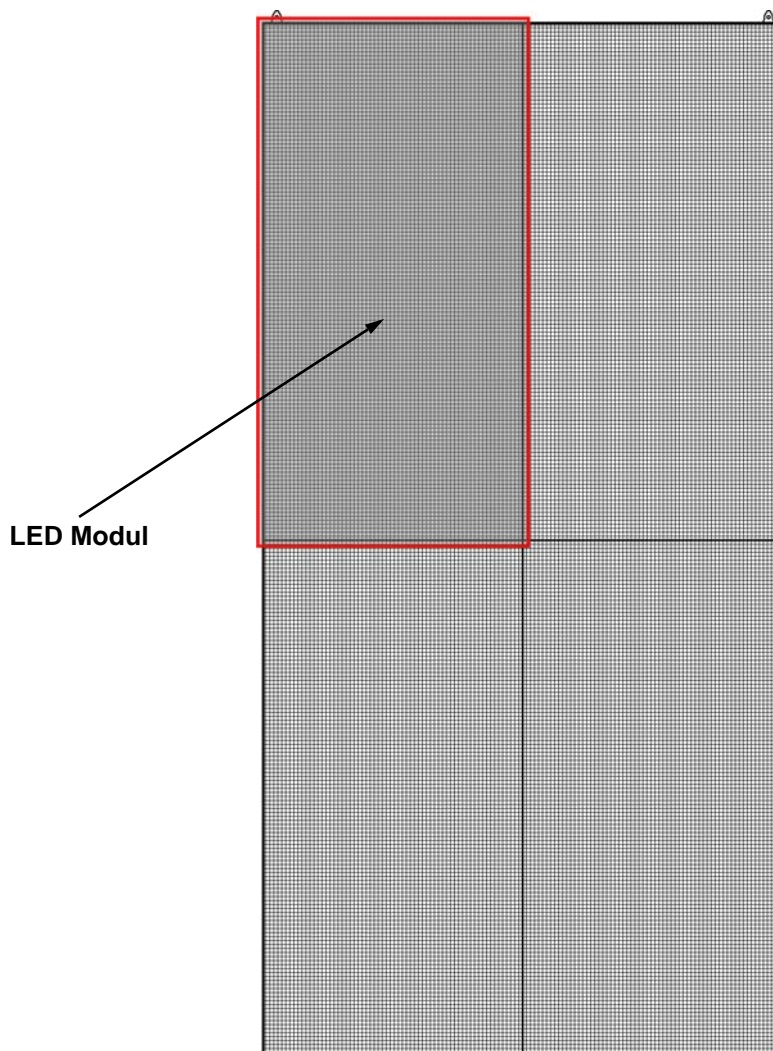
Verfügbare Signal- und Stromkabel

- Signalkabel (Neutrik® etherCON® CAT6 Signalkabelverlängerungen)
 - ETHERCONEXT18IN
 - ETHERCONEXT5FT
 - ETHERCONEXT10FT
 - ETHERCONEXT25FT
 - ETHERCONEXT50FT
- Stromkabel (Neutrik® powerCON® Stromkabelverlängerungen)
 - POWERCONEXT18IN
 - POWERCONEXT5FT
 - POWERCONEXT10FT
 - POWERCONEXT25FT
 - POWERCONEXT50FT

Produktübersicht



Pixel pro Panel



Jeder Pixel ist eine dreifarbige LED. In der folgenden Tabelle sind die Pixel pro Panel jedes Vivid 4 angegeben. In der Tabelle [Technische Daten](#) am Ende dieser Bedienungsanleitung finden Sie detaillierte Spezifikationen.

Parameter	Vivid 4
Pixel pro Panel	104 x 208
Gesamtpixel pro Panel	21.632
Pixel pro LED-Modul	52 x 104
Gesamtpixel pro LED-Modul	5.408
Abmessungen des LED-Modul	250 x 500 mm

Zur Berechnung der Anzahl der Panels, horizontal und vertikal, unterstützt von einem einzelnen Vivid Drive 23N, benötigen Sie Folgendes:

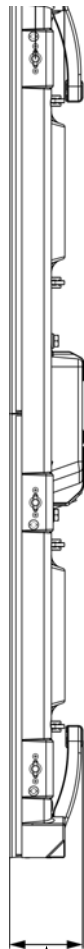
- Die Anzahl der Pixel pro Panel.
- Die Bildschirmauflösung, die Sie für Ihre Anzeige auf der Videowand verwenden möchten.



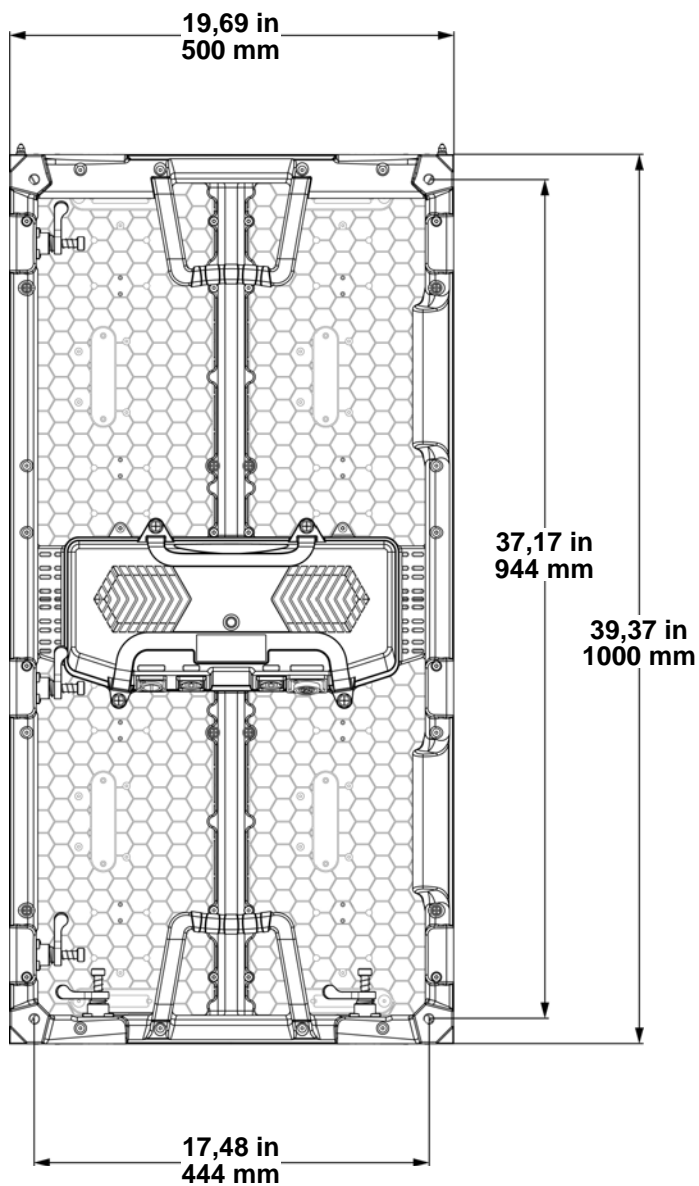
Der Vivid Drive 23N Videobildschirmsystem erforderlich. Diagramme für den Zusammenschluss der Vivid 4-Panels und des Vivid Drive 23N sind in einem späteren Abschnitt in dieser Anleitung enthalten. Nähere Informationen zum Vivid Drive 23N und Beispielberechnungen für die Panels finden Sie in der Bedienungsanleitung des Vivid Drive 23N.

Abmessungen des Produkts

1,34 in
34 mm



2,56 in
65 mm



3. Einrichten des Geräts

Wechselstrom

Jeder Vivid 4 verfügt über ein Vorschaltgerät, das automatisch die anliegende Spannung erkennt, sobald der Netzstecker in die Schukosteckdose gesteckt wird, und kann mit einer Eingangsspannung von 100~240 V AC, 50/60 Hz arbeiten. Um die erforderlichen Kennzahlen des Netzanschlusses für jeden Vivid 4, zu ermitteln, verwenden Sie den aktuellen Wert, der sich auf dem Hinweisschild am Gerät befindet. Oder lesen Sie dazu den Abschnitt [Technische Daten](#) in dieser Anleitung.

Der aufgeführte Nennstrom entspricht dem maximalen Stromverbrauch des Geräts unter normalen Betriebsbedingungen. Detaillierte Informationen finden Sie unter "Bemessung von Leistungsschaltern" auf der Website von Chauvet: www.chauvetdj.com.



- **Schließen Sie dieses Gerät nur an einen geschützten Stromkreis (Leistungsschalter oder Sicherung) an. Stellen Sie sicher, dass das Gerät entsprechend an die Masse angeschlossen ist, um die Gefahr elektrischer Schläge oder eines Brands zu vermeiden.**
- **Um unnötigen Verschleiß zu vermeiden und die Lebensdauer des Geräts zu verlängern, trennen Sie während längerer Perioden des Nichtgebrauchs das Gerät vom Stromnetz – entweder per Trennschalter oder durch Herausziehen des Steckers aus der Steckdose.**



Schließen Sie dieses Gerät niemals an einen Regelwiderstand oder Dimmer an, auch nicht, wenn der Regelwiderstand oder Dimmer nur als 0 bis 100% Schalter dient.

Wechselstromstecker

Jeder Vivid 4 verfügt über ein Stromkabel für die Serienschaltung, um eine Verbindung zwischen den Panels und einem Stromversorgungskabel herzustellen.

Dieses Kabel verfügt über ein Seetronic Powerkon[®] Steckverbinder für den Anschluss am Vivid 4 und über eine Edison-Steckdose für die Stromversorgung.

Serienschaltung der Geräte

Alle Vivid 4-Panels unterstützen die Serienschaltung von Geräten. Die technischen Spezifikationen für jedes Panel finden Sie in der folgenden Tabelle.

Spannung	Vivid 4-Geräte
Bei 120 V, 60 Hz	7
Bei 230 V, 50 Hz	13



Die anwendbaren lokalen Vorschriften und Regulierungen sind für eine ordnungsgemäße Installation dieses Geräts stets zu beachten.

4. Montage

Montagerichtung

Jeder Vivid 4 hat ein Gehäuse aus Magnesium-Druckguss. Damit wird sichergestellt, dass jedes Panel stabil und einfach zu montieren ist. Jedes Panel verfügt oben und unten auf der Rückseite des Panels über einen praktischen, integrierten Griff sowie über zwei Ausrichtungskegel an der Oberseite. Mit dieser Kombination können Sie jedes Panel einfach aufnehmen und sicher halten, während Sie die Panels montieren und damit hantieren.

Der Vivid 4 kann so montiert werden, dass jede erdenkliche Anzahl an modularen Konstruktionen umgesetzt werden kann. Die oberen Panels lassen sich sicher an eine Traverse oder eine andere stabile Oberfläche hängen. Stellen Sie sicher, dass diese immer in einer gesicherten Position mit ausreichendem Raum für Belüftung, Konfiguration und Wartung montiert sind.

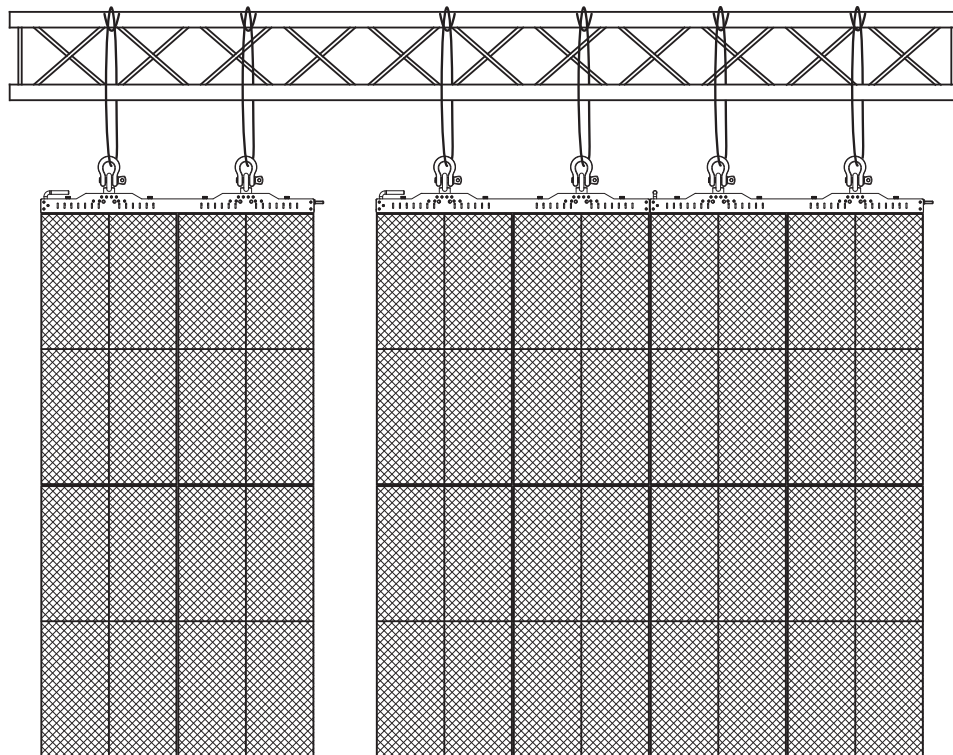
Chauvet empfiehlt die folgenden allgemeinen Richtlinien.

- Berücksichtigen Sie bei der Auswahl des Installationsorts, dass Sie bequem auf das Gerät zugreifen und routinemäßige Wartungsarbeiten vornehmen können.
- Vergewissern Sie sich, dass Sie diese mit Abstand zu entflammaren Materialien aufhängen, wie im Abschnitt [Sicherheitshinweise](#) angezeigt.
- Bauen Sie diese Panels nie an Orten auf, an denen diese Regen, extremen Temperaturen oder einer eingeschränkten Belüftung ausgesetzt sind.
- Vergewissern Sie sich, dass die Konstruktion und die Befestigungspunkte, an denen Sie die Panels aufhängen, das Gewicht tragen können.
- Vergewissern Sie sich, dass sämtliche der verwendeten lasttragenden Befestigungsteile das Gewicht tragen können.
- Im Abschnitt [Technische Daten](#) sind die Anforderungen an die Traglast des Vivid 4 aufgeführt.

Montage an Traversen

Hinweise dazu finden Sie in der folgenden Übersicht. Chauvet bietet speziell für die hängende Montage der Panels den Rig Bar der F-Serie (separat erhältlich) an.

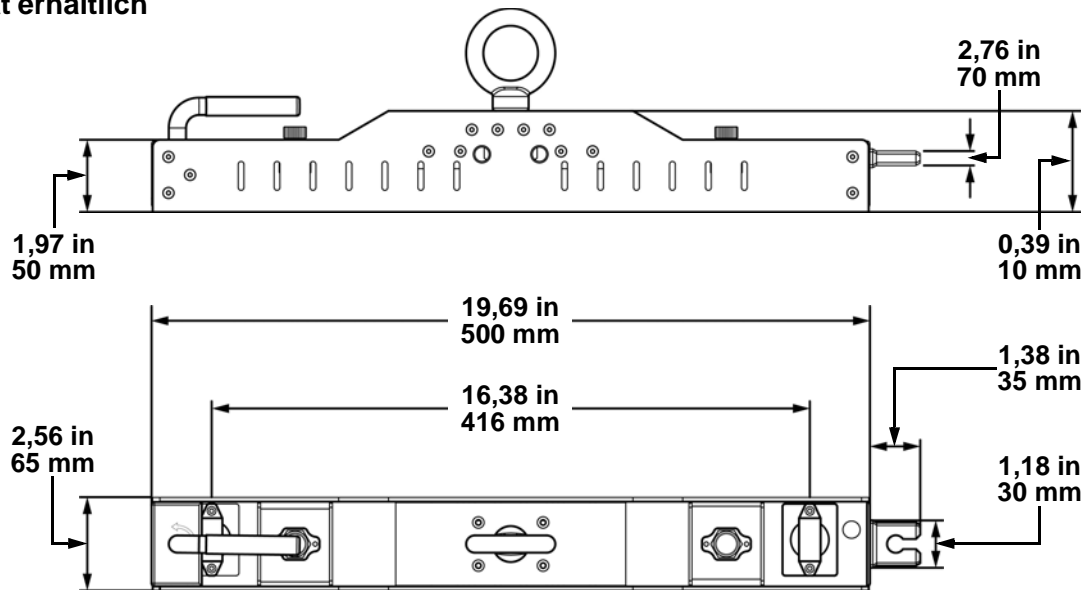
Befestigung an Traverse mithilfe des optionalen Rig Bar der F-Serie



Die oberen Illustrationen dienen nur als Beispiele. Die anwendbaren lokalen Vorschriften und Regulierungen sind für eine ordnungsgemäße Installation dieses Geräts stets zu beachten.

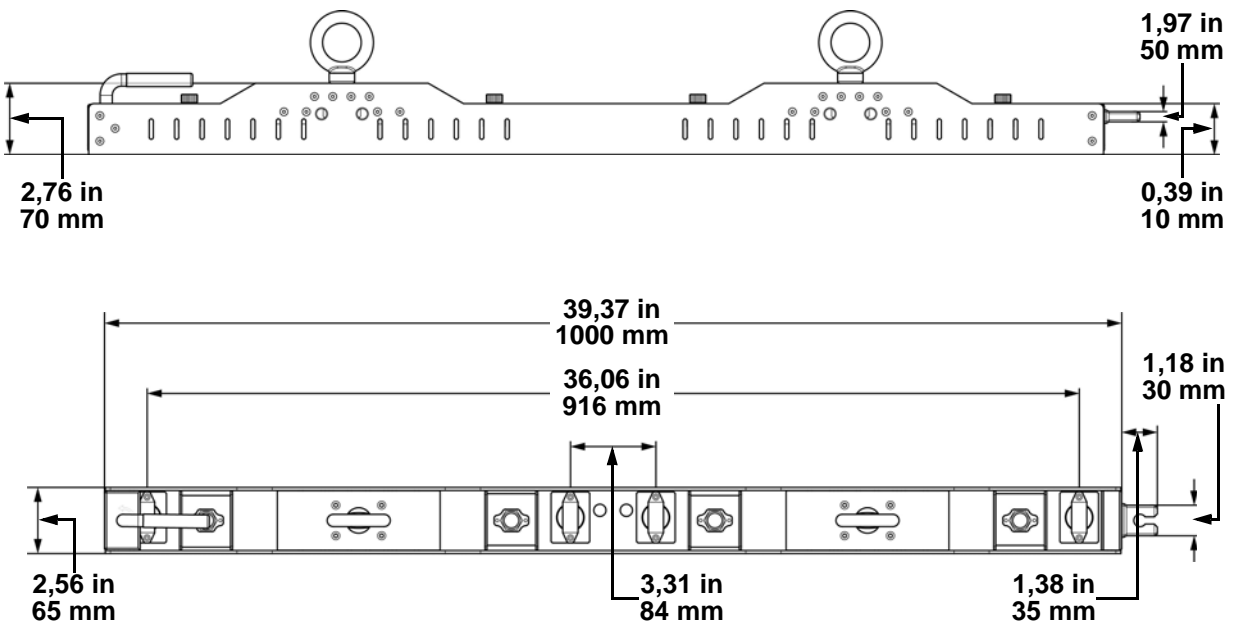
Abmessungen des RB-F50CM Rig Bar

Separat erhältlich

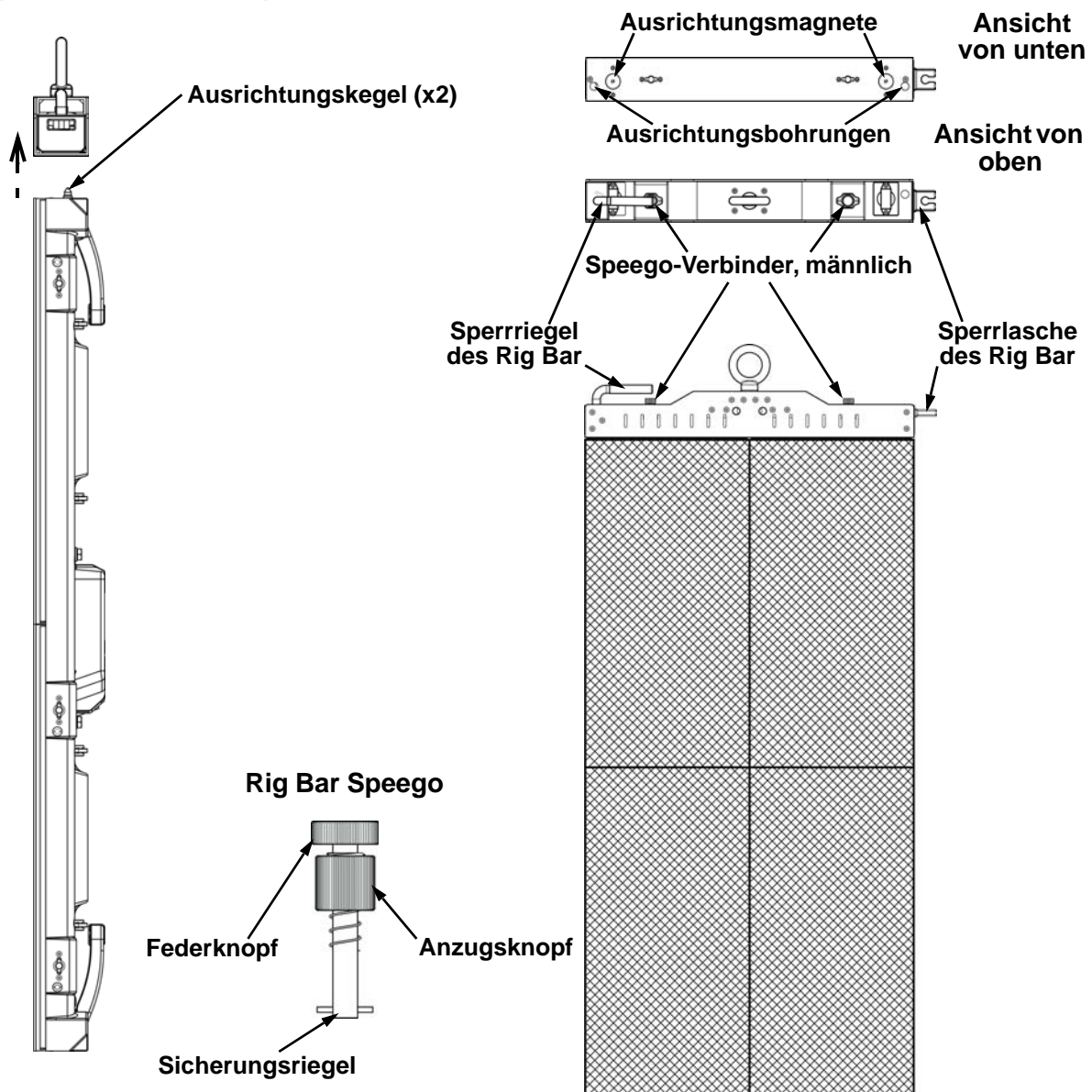


Abmessungen des RB-F100CM Rig Bar

Separat erhältlich



Rig Bar/Panel-Baugruppe



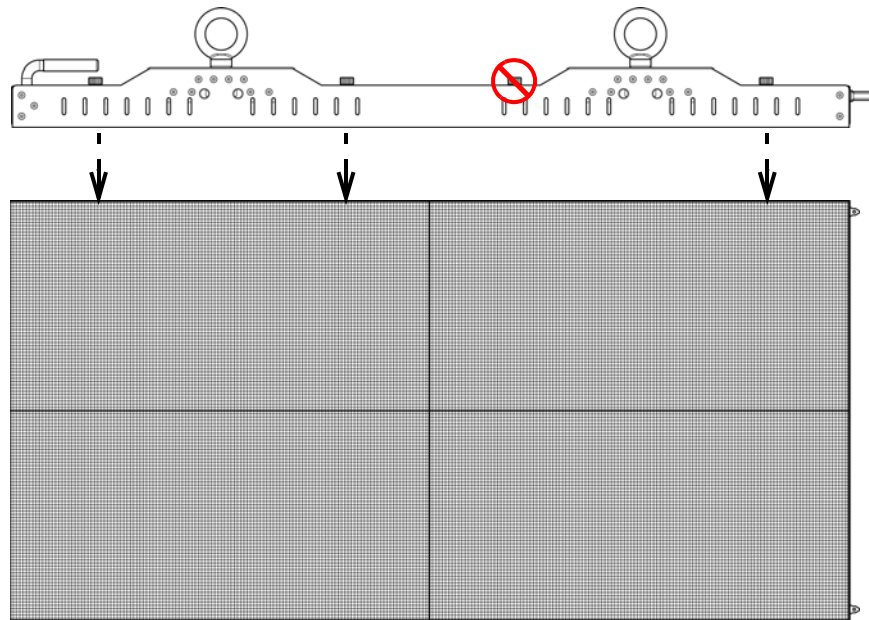
1. Stecken Sie die Ausrichtungskegel in die Ausrichtungsbohrungen und warten Sie, bis die Magnete verbunden sind.
2. Schieben Sie die Rig Bar Speego Sicherungsriegel in die weiblichen Speego-Verbinder am Vivid 4.
3. Drehen Sie den Federknopf am Rig Bar Speego um 90°, bis er einrastet.
4. Drehen Sie den Anzugsknopf im Uhrzeigersinn, bis der Vivid 4 am Rig Bar gesichert ist.
5. Um den Rig Bar vom Vivid 4 zu entfernen, führen Sie die vorherigen Schritte in umgekehrter Reihenfolge aus.

- Die Ausrichtungsmagnete am Vivid 4 und dem Rig Bar der F-Serie dienen dazu, das Gewicht des Panels vorübergehend aufzunehmen, damit der Benutzer dieses ordnungsgemäß ausrichten und in korrekter Position anziehen kann.
- Jede Seite des Vivid 4 mit weiblichen Speego-Verbindern kann mit dem Rig Bar der F-Serie verbunden werden, jedoch verfügt nur die kurze Seite über Ausrichtungskegel- und -magnete. Bei der Befestigung des Vivid 4 am Rig Bar muss sichergestellt werden, dass die Pixel über die gesamte Videobaugruppe ordnungsgemäß ausgerichtet sind.



Achtung! Die Magnetbefestigungen sind nicht für die Aufnahme von Lasten geeignet, sondern lediglich als Hilfe zum Ausrichten. Lassen Sie das Panel nicht los, bis die Befestigungsmittel für die hängende Montage vollständig gesichert sind.

Alternative Rig Bar/Panel-Baugruppe



Der Vivid 4 kann mit dem Rig Bar RB-F100CM horizontal befestigt werden. Befolgen Sie dazu die gleichen Anweisungen unter [Rig Bar/Panel-Baugruppe](#), gehen Sie jedoch besonders vorsichtig vor, da die lange Seite des Geräts nicht über Ausrichtungskegel oder -magnete verfügt.

Bei der horizontalen Montage mit dem RB-F100CM wird einer der Rig Bar Speegos nicht verwendet.

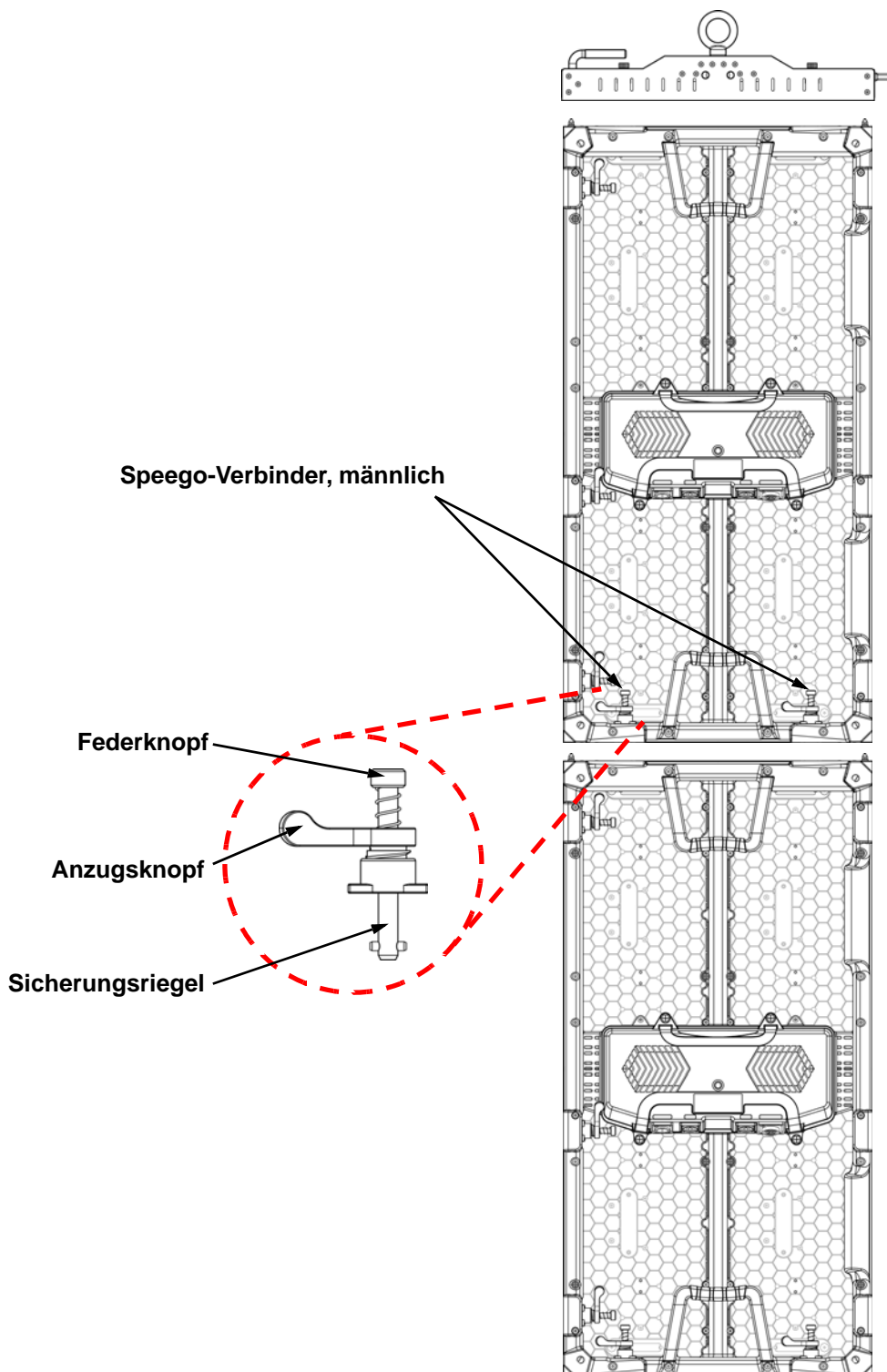
Befestigung an einem Gerüst mit Chauvet CT-APP

Der Vivid 4 (mit Rig Bar der F-Serie) kann mit dem CT-APP von TRUSST® an einem Gerüst befestigt werden. Weitere Informationen zu CT-APP finden Sie in der Schnellanleitung unter trusst.com.

5. Erstellung eines modularen Designs

Vertikaler Zusammenbau der Panels

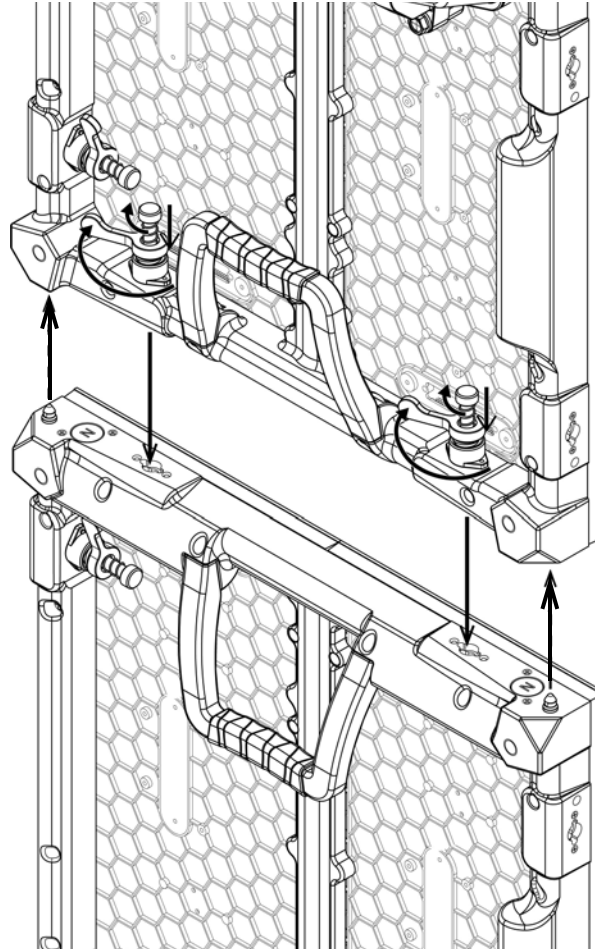
Jeder Vivid 4 kann mit einem optionalen Rig Bar und den 2 weiblichen Speego-Verbindern an den oberen Ecken jedes Panels problemlos vertikal an einer Traverse befestigt werden. Mit den männlichen Speego-Verbindern an der Unterseite jedes Panels befestigen Sie zusätzliche Panels. Diese Verbinden sind bei einer Nichtverwendung zurückgesetzt.



Vertikaler Zusammenbau der Panels

Beachten Sie zur vertikalen Verbindung der Panels die folgenden Anweisungen:

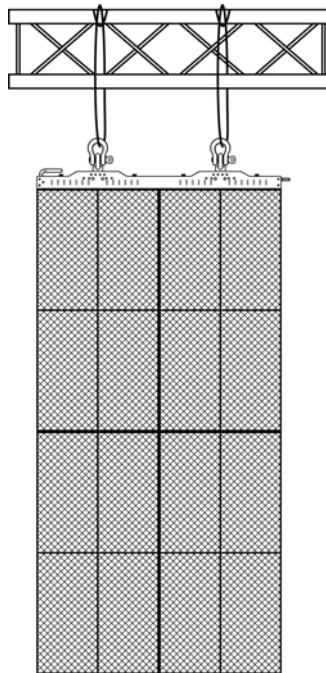
1. Richten Sie die Ausrichtungskegel an der Oberseite jedes Panels sowie die Ausrichtungsmagnete an der Ober- und Unterseite jedes Panels aus.
2. Drücken Sie die männlichen Speego-Verbinder in die weiblichen Speego-Verbinder.
3. Drehen Sie die Federknöpfe um 90° im Uhrzeigersinn.
4. Drehen Sie die Anzugsglaschen um 180° im Uhrzeigersinn, bis diese fest sind.



Achtung! Die Magnetbefestigungen sind nicht für die Aufnahme von Lasten geeignet, sondern lediglich als Hilfe zum Ausrichten. Lassen Sie das Panel nicht los, bis die Befestigungsmittel für die hängende Montage vollständig gesichert sind.

Horizontaler Zusammenbau der Panels

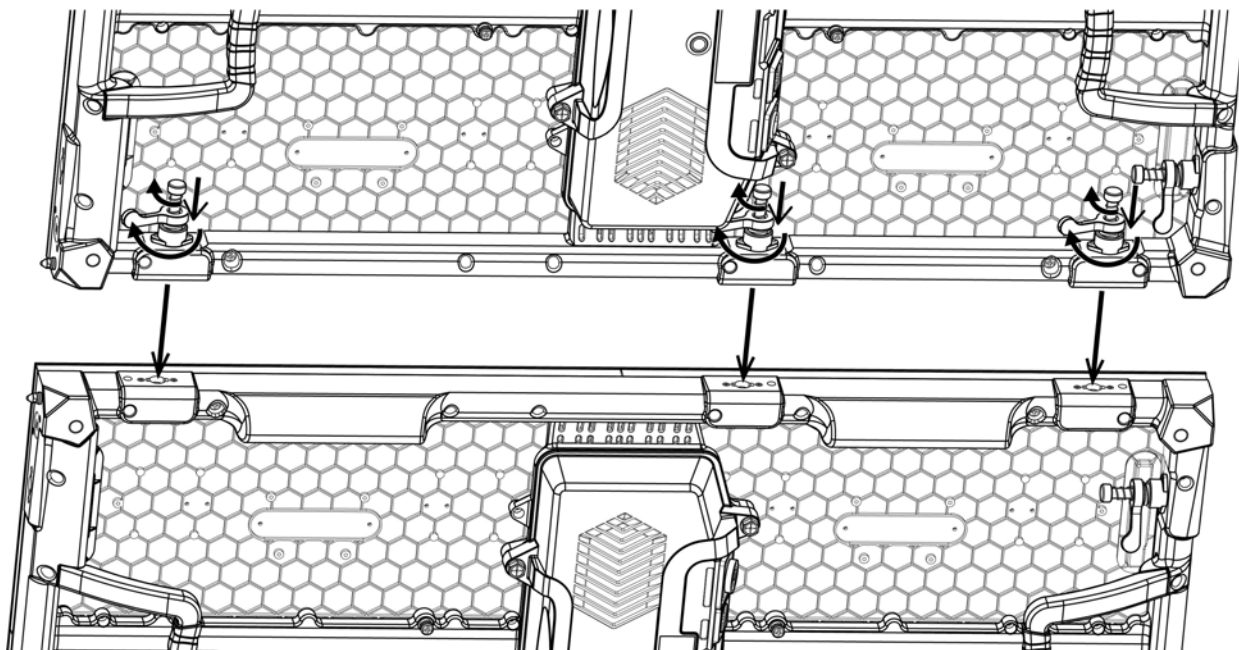
Jeder Vivid 4 kann mit den Speego-Verbindern an der Innenseite und an den oberen und unteren linken Seiten jedes Panels horizontal montiert werden.



Horizontaler Zusammenbau der Panels

Beachten Sie zur horizontalen Verbindung der Panels die folgenden Anweisungen:

5. Richten Sie die männlichen Speego-Verbind器 der Panels auf die entsprechenden weiblichen Speego-Verbind器 an den anzubauenden Panels aus.
6. Drücken Sie die männlichen Speego-Verbind器 in die weiblichen Speego-Verbind器.
7. Drehen Sie die Federknöpfe um 90° im Uhrzeigersinn.
8. Drehen Sie die Anzugslaschen um 180° im Uhrzeigersinn, bis diese fest sind.



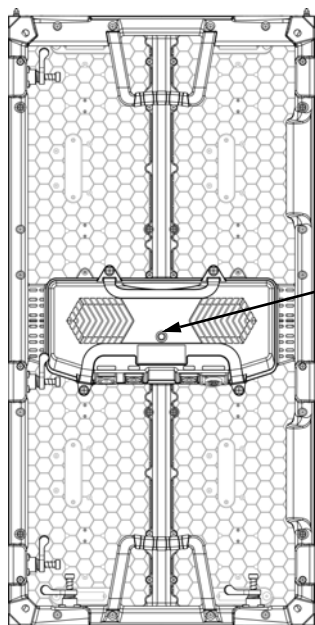
6. Zusammenschluss und Verkabelung

Testen der Signal- und Stromverbindungen

Jeder Vivid 4 verfügt über 2 Stromanschlüsse und 2 Signaltastens.

- Die Strom- und Signalverbindungen befinden sich an der Unterseite des Service-Moduls jedes Panels.
- Die Signaltastens können austauschbar verwendet werden.
- Jeder Vivid 4 verfügt über LED-Kontrollleuchten an der Test-Taste in der Mitte des Panels.
- Jedes Panel zeigt eine erfolgreiche Stromverbindung an, wenn die LED-Kontrollleuchte für den Strom dauerhaft rot leuchtet.
- Jedes Panel zeigt das Vorhandensein eines Signals an, wenn die LED-Kontrollleuchte für Signale schnell grün blinkt. Wenn die LED langsam grün blinkt, gibt es kein Signal.

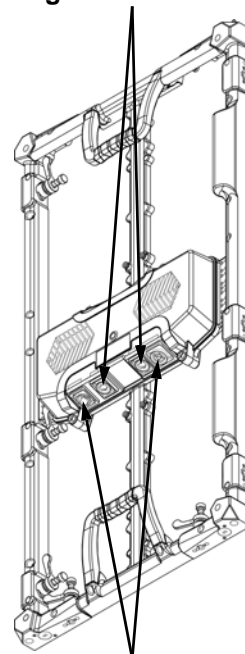
Ansicht des rückwärtigen Bedienfelds



Test-Taste
LED-
Kontrollleuchten
für Strom/Signal

Ansicht der Unterseite des Wartungszugangs

Signalanschlüsse



Stromeingang/-ausgang

Verwendung der Test-Taste des Vivid 4

Jeder Vivid 4 verfügt über eine Test-Taste, mit der die Funktionsfähigkeit aller LEDs getestet werden kann. Mit der Test-Taste an jedem Panel können Sie einen Selbsttest durchführen. Bei einem Selbsttest müssen Sie den Test an jedem Vivid 4 einzeln vornehmen. Sie müssen dazu das Gerät nicht an eine Signalleitung anschließen oder eine Software verwenden.



Stellen Sie bei der Verwendung der Test-Taste sicher, dass der Vivid 4 nicht mit dem Vivid Drive 23N verbunden ist.

Zur Verwendung der Test-Taste müssen Sie das Gerät an der Stromversorgung, jedoch nicht an die Signalkabel, anschließen. Drücken Sie die Test-Taste, um durch die verschiedenen Anzeigekonfigurationen der LED-Kontrollleuchten zu schalten.

Anschließen der Strom- und Signalkabel

Im Folgenden finden Sie Informationen und Übersichten zum Anschließen der Signal- und Stromkabel zwischen den Panels.

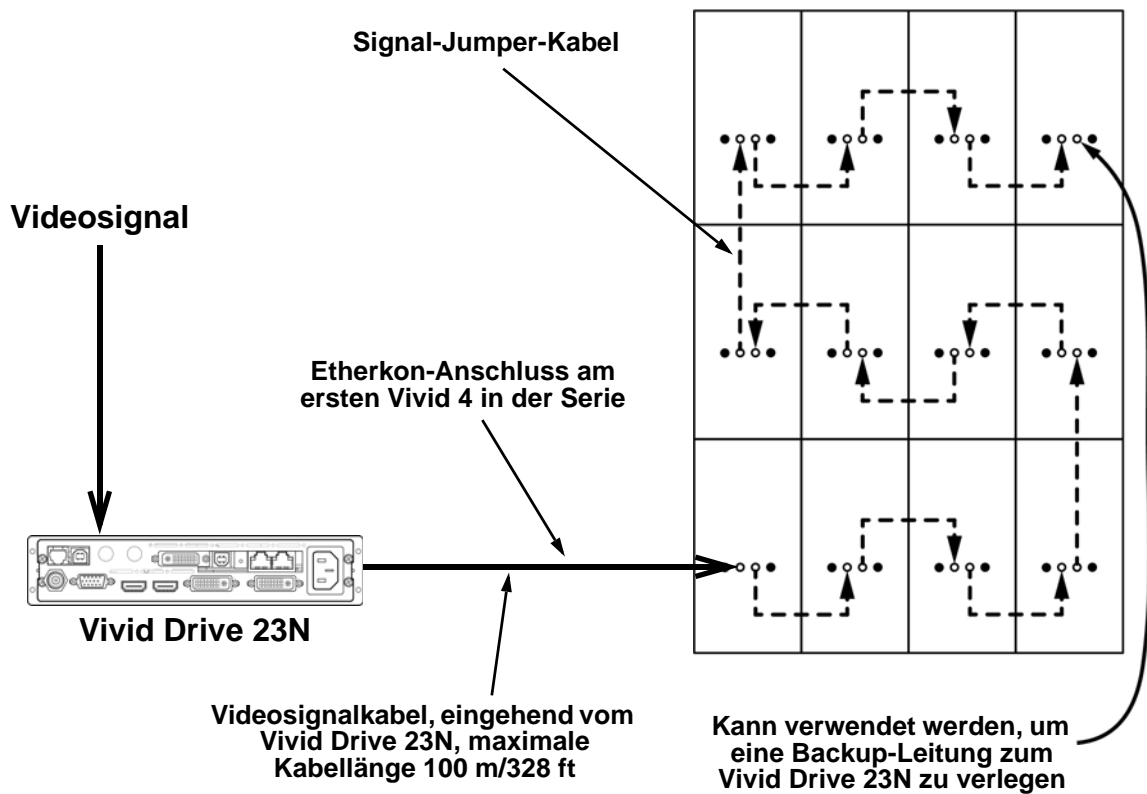
Hinweise zu den verfügbaren Kabeln und Artikelnummern finden Sie in den Abschnitten [Einleitung](#) oder [Betrieb](#).

Anschließen der Signalkabel zwischen miteinander verbundenen Panels

Die Anschlüsse der Signalkabel zwischen den Panels können in verschiedener Art und Weise erfolgen. Die Basiskonfiguration zum Anschließen des Signalkabels an ein und das jeweils nächste Panel sieht wie folgt aus:

1. Das Ausgangssignalkabel wird am ersten Panel angeschlossen.
2. Dann wird ein Signalkabel vom ersten Panel weitergeschlauft.
3. Die Verbindungen werden in einer Serienschaltung hergestellt, bis alle Panels angeschlossen sind.
4. Die Kabelführung der verwendeten Signalkabel kann variieren.

Eine Empfehlung für einfache Signalkabelverbindungen zwischen Panels finden Sie in der folgenden Übersicht.



Anschließen der Stromkabel zwischen miteinander verbundenen Panels

Die Anschlüsse der Stromkabel zwischen den Panels können ebenfalls in verschiedener Art und Weise erfolgen. Die Basiskonfiguration zum Anschließen des Stromversorgungskabels an ein und das jeweils nächste Panel sieht wie folgt aus:

1. Das Netzkabel wird am Stromeingang oder -ausgang des ersten Panels angeschlossen.
2. Anschließend wird ein Stromkabel am Stromausgang des ersten Panels angeschlossen und mit dem Stromeingang des nächsten Panels verbunden.
3. Die Verbindungen werden in einer Serienschaltung hergestellt, bis alle Panels angeschlossen sind.

Schließen Sie die Stromkabel zwischen den Panels unter Anwendung des gleichen Verfahrens wie bei den Signalkabeln an, außer dass Sie nun die Anschlüsse Stromausgang und -eingang verwenden. Beachten Sie die Angaben zum Zusammenschließen der einzelnen Vivid 4-Geräte in Serie.

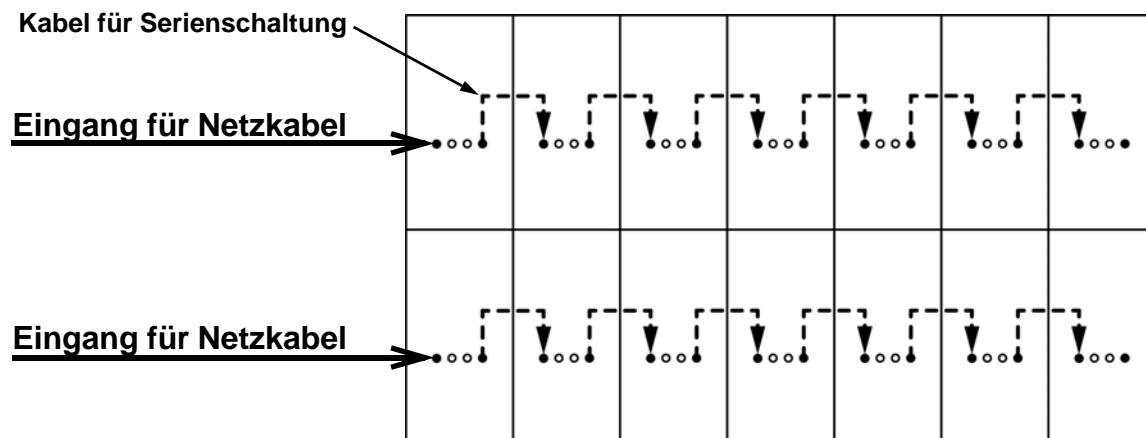
Hinweise zur Anzahl der Panels, die maximal von einer einzigen Stromquelle ausgehend in Serie zusammengeschaltet werden können, finden Sie im Abschnitt [Serienschaltung der Geräte](#).



Die Serienschaltung von mehr Panels als empfohlen führt zum Erlöschen Ihrer Gewährleistung und erhöht die Gefahr eines Stromschlags oder Brandes!

Ein Beispiel einer Stromverbindung vom Netzanschluss zu jedem verbundenen Panel finden Sie in der folgenden Übersicht.

Bei diesem Beispiel werden bei einem Vivid 4 7 Panels horizontal bei 120 V in Serie geschaltet.



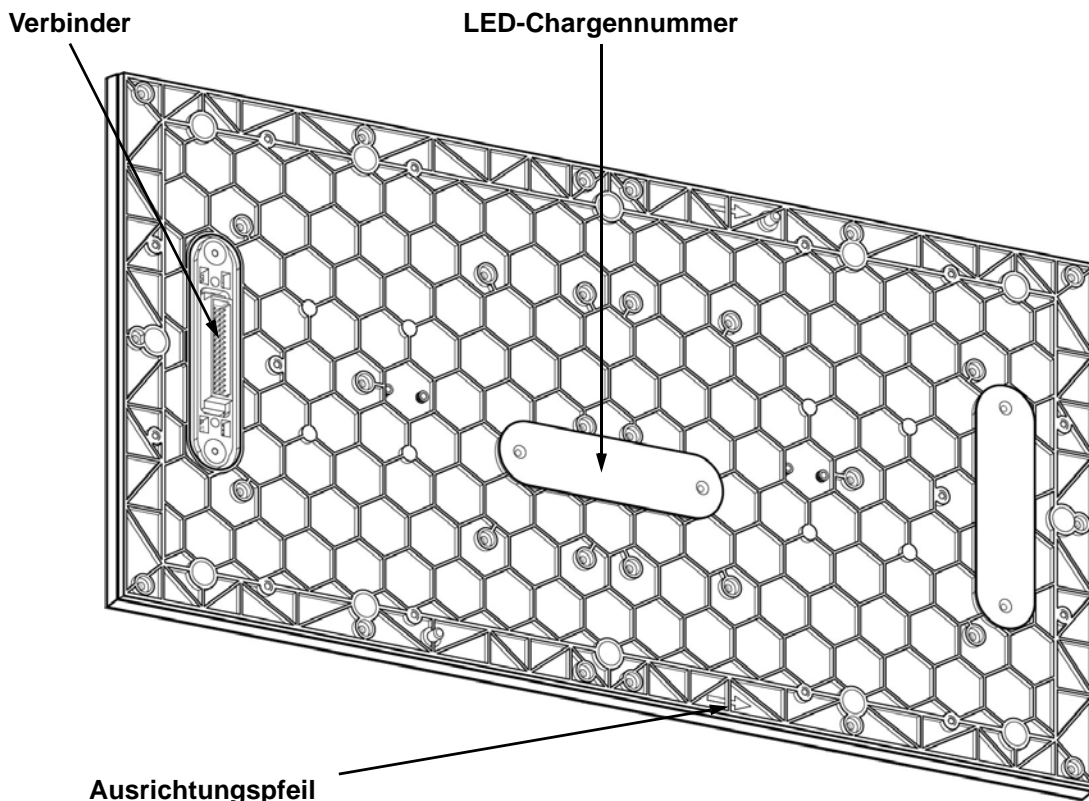
7. Pflege und Austausch von LED-Modulen

Vivid 4-Modul

Jeder Vivid 4 verfügt über 4 LED-Module, die durch Magnete am Panelrahmen befestigt sind. Jedes Modul verfügt über einen einzelnen Anschluss für die Verbindung zum Hauptsteuergerät.

LED-Chargennummern

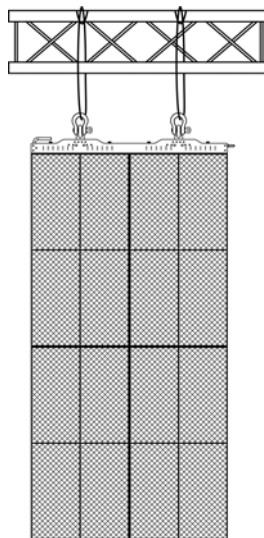
Um eine einheitliche Farbübereinstimmung und -abgabe zu gewährleisten, tauschen Sie beschädigte oder mangelhafte Module nur durch Module mit den gleichen LED-Chargennummern aus. Bei der Kombination von Panels für große Videoleinwände (zum Verleih, für dauerhafte Installationen usw.) wird dringend empfohlen, dass die LED-Chargennummern auf den einzelnen Panels übereinstimmen. Die LED-Chargennummern finden Sie auf der Rückseite jedes Moduls.



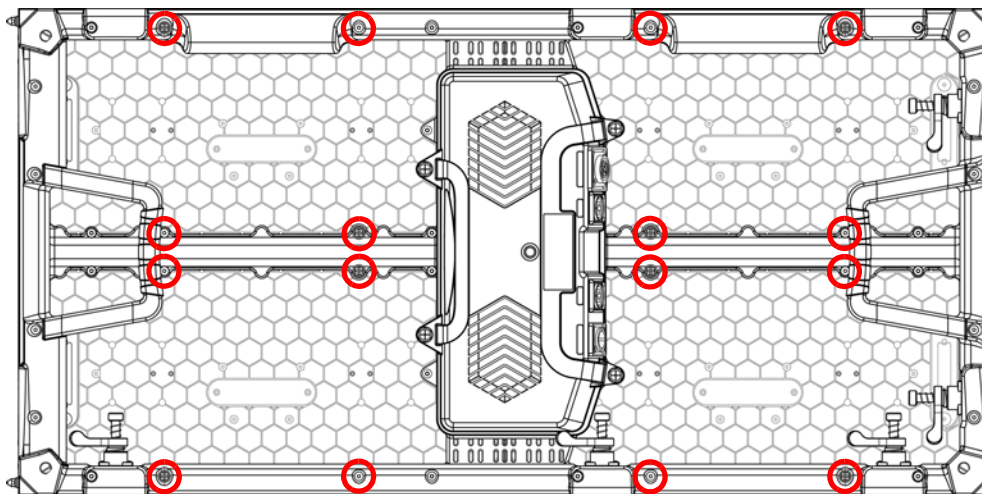
A- und B-Modulen

Der Vivid 4 verfügt über 2 Arten von Modulen, die nur in einer Richtung in das Service-Modul eingesteckt werden können. Prüfen Sie, wo sich der Steckverbinder befindet, wenn die Ausrichtungspfeile nach oben zeigen, um zu bestimmen, ob das Modul vom Typ A (obere Hälfte, Verbinder nach unten) oder vom Typ B (untere Hälfte, Verbinder nach oben) ist.

Austausch des Vivid 4 LED-Moduls



1. Identifizieren Sie das zu entfernende Modul.
2. Entfernen Sie das Bildschirm-Panel von der Videowand-Baugruppe und platzieren Sie es mit der Vorderseite nach unten auf einem ebenen Untergrund.



3. Entfernen Sie die 4 Schrauben, die das ausgewählte Modul sichern, mit einem Kreuzschlitzschraubendreher.
4. Drücken Sie das Modul mit kontinuierlich ansteigendem Druck, jedoch ohne den Verbinder zu beschädigen, vom Rahmen weg, bis der Verbinder gelöst ist.



Achten Sie beim Ausbau des Moduls darauf, dass der an der Rückseite des Moduls angebrachte Verbinder nicht beschädigt wird.

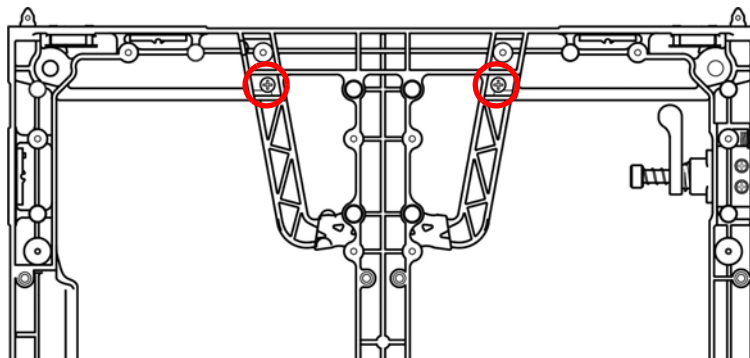
5. Wiederholen Sie die Schritte zur Montage des Ersatzmoduls.

8. Panel-Konfiguration

Entfernen und Montieren der Griffe

Der Vivid 4 verfügt über 2 Griffe, die bei Bedarf entfernt werden können.

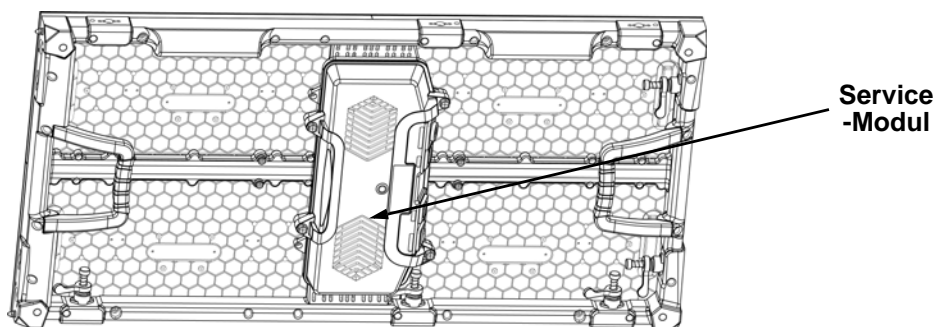
1. Entfernen Sie die Module vom Bildschirm-Panel wie unter [Pflege und Austausch von LED-Modulen](#) beschrieben.
2. Entfernen Sie von der Vorderseite des Panels die 2 Schrauben, die den Griff am Produkt sichern, mit einem Kreuzschlitzschraubendreher.



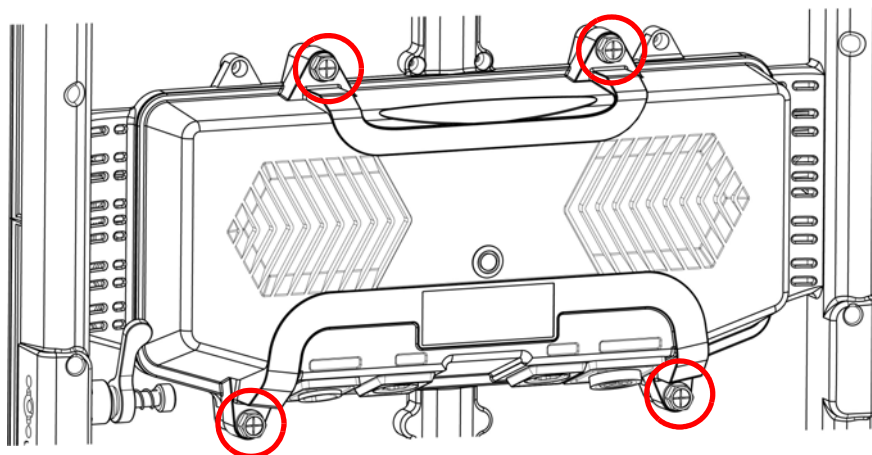
3. Bauen Sie die Module wieder ein.
4. Wiederholen Sie die Schritte zur erneuten Montage der Griffe.

Zugreifen auf das Service-Modul

Auf das Service-Modul des Vivid 4 kann zum Zwecke von Wartungsarbeiten von der Rückseite des Panels aus zugegriffen werden.



Für den Zugriff auf das Service-Modul des Vivid 4 entfernen Sie die 4 Schrauben gemäß der folgenden Darstellung.



Gehen Sie beim Entfernen der Schrauben vorsichtig vor, da die Abdeckung des Service-Moduls vom Panelrahmen abgenommen wird. Sämtliche Komponenten im Service-Modul sind an der Abdeckung angebracht.

9. Typische Installation

Da ein Videobildschirmsystem verschiedene Komponenten beinhalten kann, um einfache wie komplexe modulare Systeme zu erlauben, beachten Sie zunächst folgende Schritte als eine allgemeine Handlungsanweisung.

Schritt 1

Packen Sie den Vivid 4 aus und überprüfen Sie, ob Sie alle Teile unbeschädigt erhalten haben.

Schritt 2

Schließen Sie jeden Vivid 4 an der Stromversorgung an und führen Sie jeweils einen Selbsttest durch, um sicherzustellen, dass sämtliche LEDs und internen Anschlüsse in jedem Panel funktionstüchtig sind (optional).

Schritt 3

Sorgen Sie für eine stabile Montageoberfläche (z. B. Traverse oder sonstige stabile Oberfläche) für die Befestigung des Vivid 4.

Schritt 4

Befestigen Sie die erste obere Reihe der Vivid 4-Geräte. Hinweise dazu finden Sie in dieser Bedienungsanleitung unter [Montage](#).

Schritt 5

Richten Sie die erste Reihe mit den Speego-Verbindern aus.

Schritt 6

Schließen Sie das Signalausgangskabel am Vivid Drive 23N an.

Schritt 7

Schließen Sie den Vivid Drive 23N am Signalanschluss des ersten Panels in Ihrer Verbindungskette an.

Schritt 8

Bauen Sie auf der Basis Ihrer Videobildschirm-Konfiguration (Konstruktion) jedes Panel entweder horizontal oder vertikal zusammen, indem Sie die Anweisungen im Abschnitt [Erstellung eines modularen Designs](#) befolgen.

Beachten Sie die Anweisungen und Hinweise im Abschnitt [Zusammenschluss und Verkabelung](#) dieser Bedienungsanleitung.

10. Betrieb

Zusätzliche Befestigungsmittel und Software

Neben den Panels benötigen Sie weitere Befestigungsmittel und Software, um Ihr Vivid 4 Videobildschirmsystem zu konstruieren, zu erstellen und zu betreiben. In der folgenden Tabelle sind diese zusätzlichen Komponenten aufgeführt – einige davon sind erforderlich, andere optional.

Artikel	Beschreibung
Vivid Drive 23N	Schnittstelle zwischen dem Signalausgang, NovaLCT-Mars, und dem verwendeten
NovaLCT-Mars	Softwareanwendungen für das Design und den Betrieb der Vivid 4-Geräte, die das Videobildschirmsystem ausmachen. Ein PC ist erforderlich
Rig Bar F-Serie (optional)	Stellt Befestigungsmittel zur Montage des Vivid 4 bereit
Neutrik® etherCON® Signalkabelverlängerung (optional)	Neutrik etherCON CAT6 Verlängerungskabel, 18 in. Neutrik etherCON CAT6 Verlängerungskabel, 5 ft. Neutrik etherCON CAT6 Verlängerungskabel, 10 ft. Neutrik etherCON CAT6 Verlängerungskabel, 25 ft. Neutrik etherCON CAT6 Verlängerungskabel, 50 ft.
Neutrik® powerCON® Verlängerung (optional)	Neutrik powerCON Verlängerung, 18 in Neutrik powerCON Verlängerung, 5 ft Neutrik powerCON Verlängerung, 10 ft Neutrik powerCON Verlängerung, 25 ft Neutrik powerCON Verlängerung, 50 ft
VIP Media System	Für Rack-Montage geeignetes Videocomputersystem
ArKaos MediaMaster	Software für Videowiedergabe

Über die NovaLCT-Mars

Die Nova LCT-Mars ist eine leistungsfähige und einfach zu erlernende Softwareanwendung für das Design und den Betrieb eines Vivid 4 Videobildschirmsystems. Im Folgenden geben wir Ihnen einen Überblick über diese Software.

Nähere Informationen zum Einrichten und zur Bedienung der NovaLCT-Mars mit Ihrem Vivid 4 Videobildschirmsystem von Chauvet finden Sie in der Bedienungsanleitung des Vivid Drive 23N.

Beschreibung

Mit der NovaLCT-Mars können Sie Ihren Videobildschirm erstellen und steuern, indem Sie dessen Panels sowie den Pixelabstand und die Pixel-Anordnung direkt ansteuern.

Sobald Sie Ihr modulares Videobildschirmdesign durch die Kombination der Panels, ihren Anschluss an die Strom- und Signalkabel und an den Vivid Drive 23N abgeschlossen haben, erzeugen Sie mit der NovaLCT-Mars ein Abbild davon.

Nähere Informationen und Anweisungen finden Sie in der Bedienungsanleitung des Vivid Drive 23N.



Chauvet empfiehlt, die NovaLCT-Mars nicht für die Wiedergabe bei Live-Shows einzusetzen. Für diesen Zweck hat Chauvet die Software Arkaos MediaMaster im Angebot, die zahlreiche Wiedergabe-Trigger wie DMX, Art-Net, MA-net, MIDI und QWERTY umfasst.

11. Technische Informationen

Wartung des Vivid 4

Zum Erhalt der optimalen Leistungsfähigkeit und der Minimierung der Abnutzung sollte der Benutzer dieses Gerät regelmäßig reinigen. Bei der Festlegung der Häufigkeit der Reinigungsmaßnahmen spielen Gebrauch und Umgebung eine wichtige Rolle.

Im Allgemeinen sollten Geräte mindestens zweimal pro Monat gereinigt werden. Staubablagerungen reduzieren die Lichtabgabe und können zu Überhitzung führen. Dies kann die Lebensdauer des Leuchtmittels reduzieren und die mechanische Abnutzung beschleunigen.

Zum Reinigen eines Vivid 4, befolgen Sie die Anweisungen unten:

1. Trennen Sie das Panel vom Stromnetz.
2. Warten Sie, bis das Gerät auf Raumtemperatur abgekühlt ist.
3. Verwenden Sie ein eine weiche Bürste, um den Staub auf der Oberfläche der einzelnen Komponenten zu entfernen.
4. Wischen Sie die Außenseite des LED-Moduls mit einem weichen, faserfreies Baumwolltuch an, das mit einer Lösung aus Wasser und Reinigungsmittel angefeuchtet wurde. Drücken Sie dabei nur gering gegen die Oberflächen.
5. Vergewissern Sie sich, dass alle Anschlüsse trocken sind, bevor Sie die Strom- und Signalkabel wieder anschließen.



Trocknen Sie die äußeren Oberflächen immer sorgfältig nach ihrer Reinigung.

Reklamationen

Sie müssen das Gerät frei, in der Originalverpackung und mit den originalen Zubehörteilen zurücksenden. Chauvet lässt keine Retouren abholen.

Nehmen Sie telefonisch Kontakt mit Chauvet auf, und fordern Sie vor dem Verschicken eine Warenrücksendegenehmigungsnummer (RMA) an. Seien Sie darauf vorbereitet, die Modellnummer, Seriennummer und eine kurze Beschreibung des Grundes für das Zurückschicken angeben zu können.

Um eine Service-Anfrage zu stellen, rufen Sie www.chauvetdj.com/service-request.

Schreiben Sie die RMA gut leserlich auf die Verpackung. Chauvet weist alle Waren zurück, die keine RMA besitzen.



Die RMA NICHT direkt auf den Karton schreiben. Schreiben Sie die RMA stattdessen auf ein ordnungsgemäß angebrachtes Hinweisschild.

Sobald Sie eine RMA erhalten haben, schreiben Sie klar und deutlich folgende Informationen auf einen Bogen Papier, und legen Sie ihn in die Verpackung:

- Ihr Name
- Ihre Adresse
- Ihre Telefonnummer
- Die RMA-Nummer
- Eine kurze Problembeschreibung

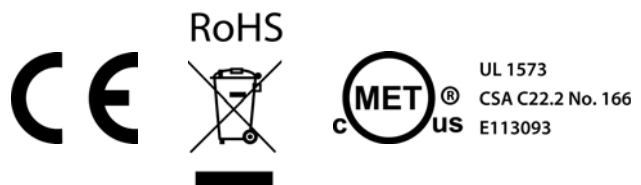
Achten Sie auf eine sachgemäße Verpackung der Ware. Schäden, die durch unsachgemäßes Verpacken entstanden sind, liegen in der Verantwortung des Kunden. Eine FedEx-Verpackung oder doppelte Verpackung wird empfohlen.



Chauvet behält sich das Recht vor, nach eigenem Ermessen über Reparatur oder Ersatz der Ware zu befinden.

12. Technische Daten

Leuchtquelle	Dreifarbige RGB SMD 1921 LEDs
Pixel pro Panel	140 x 208 (21.632 insgesamt)
Pixelabstand (zwischen den LEDs)	4,8 mm
Pixeldichte	43.264/m ²
Bildwiederholfrequenz des Displays	1.920 Hz
Betrachtungswinkel	120°
Kalibrierte Helligkeit	1.000 NITS
Maximale Helligkeit	1.200 NITS
Wellenlänge, rot	615 bis 625 nm
Wellenlänge, grün	516 bis 530 nm
Wellenlänge, blau	460 bis 475 nm
Netzteiltyp	Schaltend
AC-Spannungsbereich	100–240 VAC, 50/60 Hz
Spannungsauswahl	autom. Spann.-Erkennung
Leistungsaufnahme 120 V, 60 Hz	280 W, 2,3 A
Leistungsaufnahme 230 V, 50 Hz	280 W, 1,2 A
Serienschaltung bei 120 V, 60 Hz	7 Geräte
Serienschaltung bei 230 V, 50 Hz	13 Geräte
Abmessungen	19,7 x 1,9 x 39,4 in (500 x 65 x 1000 mm)
Gewicht	27,6 lb (12,5 kg)
Transparenz	0%
Gehäusematerial	Magnesium-Druckguss
Stromanschluss	Seetronic powerKON®
Datenanschluss	Seetronic etherKON®
Artikelname	VIVID4X4
Artikelcode	23091329
UPC-Nummer	781462216771



1. Voordat tu begint

Wat is er inbegrepen

- 4 Vivid 4
- 1 Seetronic Powerkon® stroomsnoer
- 4 Seetronic Powerkon® voedingskoppelingssnoeren
- 4 Seetronic Etherkon® signaalkoppelingssnoeren
- Roadcase
- Garantiekaart
- Gebruikershandleiding

Claims

Direct na ontvangst van dit product moet u de verpakking voorzichtig uitpakken en controleren. Controleer of u alles hierboven aangegeven onderdelen in goede toestand hebt ontvangen.

Als, na ontvangst, de doos of de inhoud (het product en meegeleverde accessoires) beschadigd lijken te zijn door de verzending of tekenen van ruwe behandeling vertonen, laat dit dan onmiddellijk weten aan de vervoerder en niet aan Chauvet. Als u dit niet tijdig doet, kan uw claim bij de vervoerder verlopen.




Daarnaast moet u de verpakking en al het verpakkingsmateriaal bewaren voor inspectie.

Voor andere problemen, zoals missende componenten of onderdelen, schade die niet is veroorzaakt door de verzending, kunt u binnen 7 dagen na ontvangst van de producten een claim indienen bij Chauvet.

Conventies van deze handleiding

Conventie	Betekenis
1–512	Een waardenbereik in de tekst
50/60	Een set elkaar uitsluitende waarden in de tekst
Settings	Een toets op het bedieningspaneel van het product
<ENTER>	Een productfunctie of een menuoptie

Symbolen

Symbool	Betekenis
	Kritieke installatie-, configuratie- of bedieningsinformatie. Het niet opvolgen van deze informatie kan ervoor zorgen dat het product niet werkt, schade veroorzaken aan apparatuur van derden of letsel veroorzaken aan de gebruiker.
	Belangrijke installatie- of configuratie-informatie. Het niet opvolgen van deze informatie kan ertoe leiden dat het product niet functioneert.
	Nuttige informatie.

Disclaimer

Chauvet gelooft dat de informatie in deze handleiding in alle aspecten accuraat is. Chauvet aanvaardt echter geen verantwoordelijkheid en wijst alle aansprakelijkheid af jegens enige partij voor enig verlies, schade of storingen die worden veroorzaakt door fouten of omissies in dit document, ongeacht of dergelijke fouten of omissies het gevolg zijn van nalatigheid, een ongeval of enige andere oorzaak.

Chauvet behoudt zich het recht voor om de inhoud van dit document te wijzigen zonder enige verplichting om enig persoon of bedrijf van een dergelijke herziening te op de hoogte te stellen. Chauvet is echter niet verplicht dergelijke herzieningen te maken. Download de nieuwste versie van www.chauvetdj.com.

De auteursrechtelijk beschermde werken in deze handleiding, waaronder, maar niet beperkt tot, alle ontwerpen, teksten en afbeeldingen, zijn eigendom van Chauvet.

© Copyright 2017 Chauvet & Sons, LLC. Alle rechten voorbehouden.

Elektronisch uitgegeven door Chauvet in de Verenigde Staten van Amerika.

CHAUVET, het Chauvet-logo en Vivid 4 zijn geregistreerde handelsmerken of handelsmerken van Chauvet & Sons LLC (d/b/a Chauvet en Chauvet Lighting) in de Verenigde Staten en andere landen. Hierin genoemde andere bedrijfs- en productnamen en logo's kunnen handelsmerken zijn van hun betreffende bedrijven.

Veiligheidsinstructies



- Sluit dit product altijd aan op een geaard circuit om elektrocutierisico's uit te sluiten.
- Vermijd directe blootstelling van het oog aan de lichtbron als het product in werking is.
- Zorg ervoor dat het stroomsnoer niet knikt of beschadigt.
- Koppel dit product nooit los van het stopcontact door aan het elektriciteits snoer te trekken of te rukken.
- Als het product boven het hoofd wordt geplaatst, moet u het altijd met een veiligheidskabel vastmaken aan een bevestigingsmiddel.
- Zorg ervoor dat er geen brandbare materialen in de buurt van dit product zijn wanneer het in werking is.
- Raak de behuizing van dit product tijdens gebruik niet aan, omdat het zeer warm kan worden.
- Controleer altijd of u dit product koppelt aan de juiste spanning, volgens de specificaties in deze handleiding of op het specificatielabel van het product.
- Het product is alleen geschikt voor gebruik binnenshuis! (IP30) Om het risico op brand en schokken te vermijden mag u het product niet blootstellen aan regen of vocht.
- Monteer dit product op een plek met voldoende ventilatie, ten minste 50 cm van de aangrenzende oppervlakken.
- Dek de ventilatiesleuven tijdens gebruik niet af om inwendige oververhitting te vermijden.
- Sluit dit product nooit aan op een dimmer of een regelweerstand.
- Draag het product nooit aan het stroomsnoer.
- De maximale omgevingstemperatuur bedraagt 40 °C. Gebruik dit product niet bij een hogere temperatuur.
- Stop direct met het gebruik van dit product in geval van ernstige gebruiksproblemen!
- Probeer het product NOOIT zelf te repareren. Reparaties en onderhoud moeten worden uitgevoerd door een bevoegd monteur. Onbevoegde aanpassingen aan het product zijn om veiligheidsredenen verboden!
- Om onnodige slijtage te elimineren en zijn levensduur te verlengen, gedurende perioden wanneer het product niet wordt gebruikt, moet u het product van de stroom afsluiten door een aardlekschakelaar om te zetten of door het te ontkoppelen.



Bewaar deze gebruikershandleiding voor toekomstige naslag. Wanneer het product eigendom wordt van een andere gebruiker, moet dit document bij de laser worden bewaard.

2. Inleiding

Productbeschrijving

De Vivid 4 is een videowandsysteem dat op het Novastar-besturingsprotocol draait. De Vivid 4 is een LED-videopaneel van 1 meter bij een halve meter, dat ideaal is voor zowel de installatie- als verhuurmarkten.

Eigenschappen

- Het modulaire videopaneel toont het materiaal levendig zonder dat er grote mediaservers nodig zijn
- Meerdere magneten en positioneringspennen zorgen voor moeiteloze plaatsing door één persoon, zonder gereedschap
- De langwerpige afmeting met meerdere Speego-koppelingen zorgt voor 2x snellere installatie dan andere panelen
- Creëert een perfecte DJ-wand en zorgt voor naadloze integratie met Serato voor het weergeven van muziekvideo's
- De panelen kunnen verticaal of horizontaal worden opgehangen waardoor verschillende aspectverhoudingen worden geboden
- Dubbele stroomvoedingen verbeteren de betrouwbaarheid en zorgen ervoor dat stroomafwaartse panelen geen signaalverlies hebben
- Zwarte led's zorgen voor video's met een hoog contrast
- Intelligente modules met apart geheugen verbeteren de beeldkwaliteit en vereenvoudigen het onderhoud
- Extreem lichtgewicht door de magnesium spuitgietbehuizing

Extra producten

- NovaStar-driver (Vivid Drive 23N of VIP Drive 43Nova; vereist)

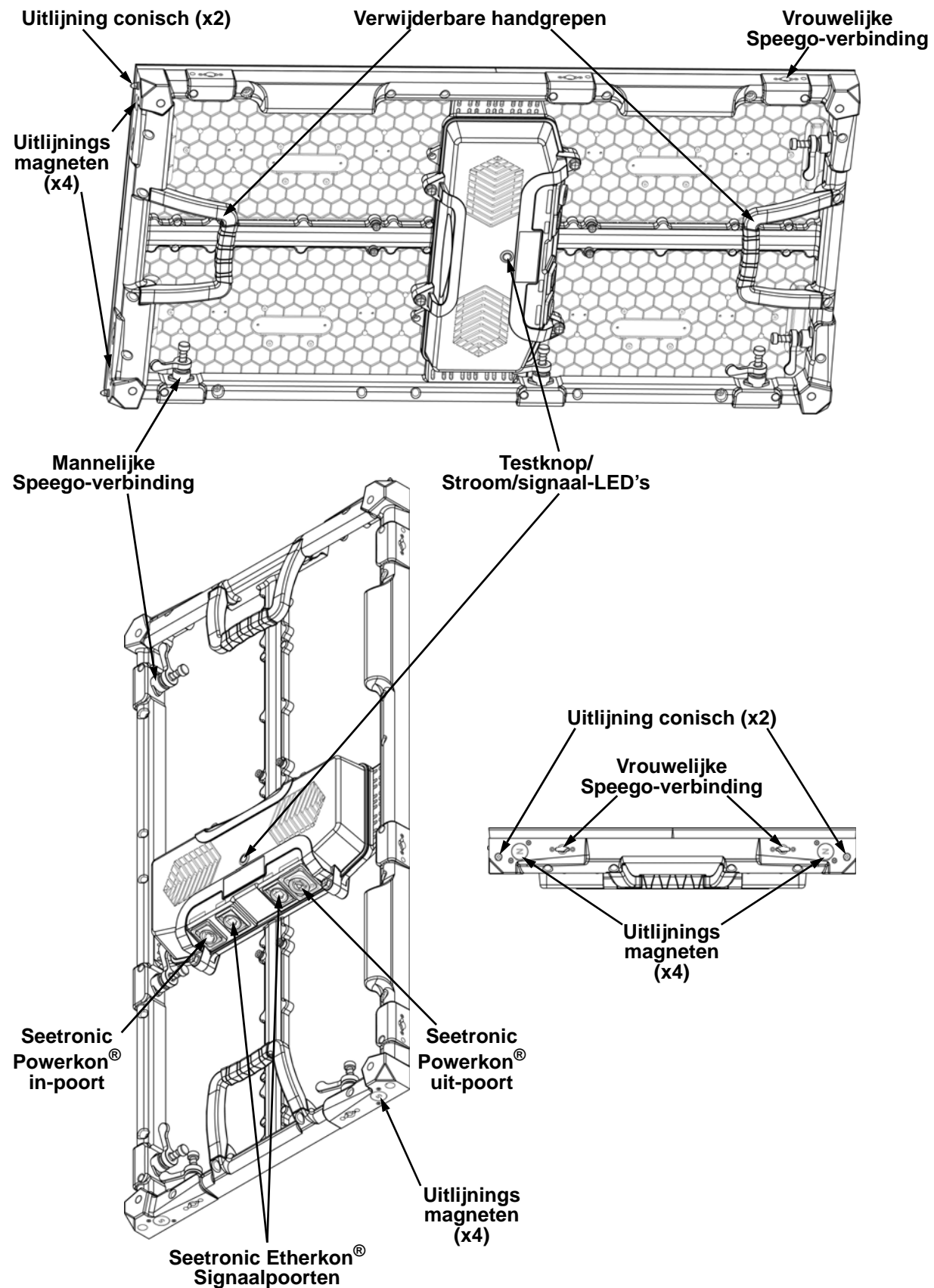
Optionele accessoires

- ArKaos Media Master Express + KN software
- F-Serie Rig Bar (RB-F50CM, RB F100CM)
- VIP Drive 21N (alternatieve NovaStar-driver)

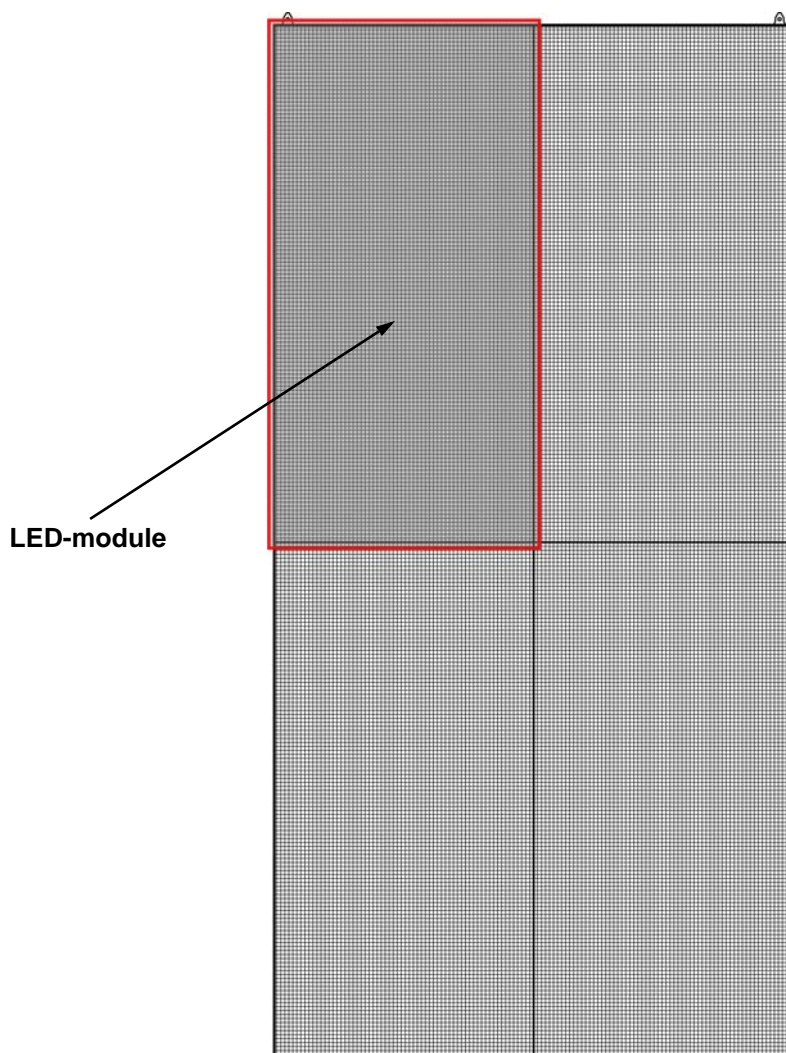
Beschikbare signaal- en voedingskabels

- Signaalkabels (Neutrik® etherCON® CAT6-signaalverlenging)
 - ETHERCONEXT18IN
 - ETHERCONEXT5FT
 - ETHERCONEXT10FT
 - ETHERCONEXT25FT
 - ETHERCONEXT50FT
- Voedingskabels (Neutrik® powerCON®-verlenging)
 - POWERCONEXT18IN
 - POWERCONEXT5FT
 - POWERCONEXT10FT
 - POWERCONEXT25FT
 - POWERCONEXT50FT

Productoverzicht



Pixels per paneel



Elke pixel is 1 driekleurige LED. De volgende tabel geeft het aantal pixels per paneel in elke Vivid 4. Raadpleeg voor uitgebreide specificaties de [Technische specificaties](#) tabel aan het einde van deze gebruikershandleiding.

Parameter	Vivid 4
Pixels per paneel	104 x 208
Totaal aantal pixels per paneel	21.632
Pixels per LED-module	52 x 104
Totaal pixels per LED-module	5.408
Afmetingen van de LED-module	250 x 500 mm

Voor het berekenen van het aantal panelen, zowel horizontaal als verticaal, dat wordt ondersteund door een enkele Vivid Drive 23N, gebruikt u:

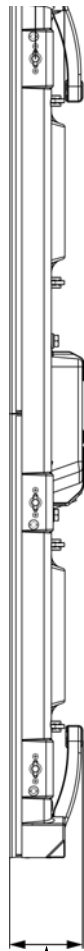
- Het aantal pixels per paneel.
- De schermresolutie die u voor uw videowanddisplay wilt gebruiken.



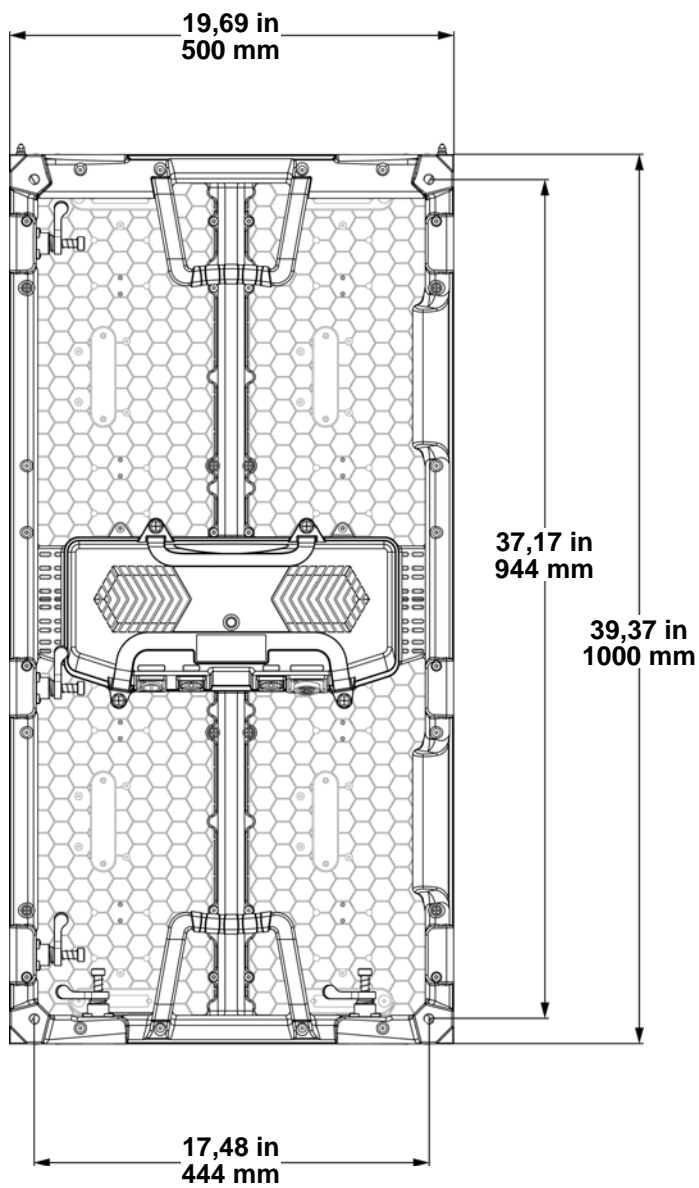
De Vivid Drive 23N kan alleen werken met een Vivid 4-videowandsysteem. Verderop in deze handleiding staan diagrammen voor de aansluiting van de Vivid 4-panelen en de Vivid Drive 23N. Voor uitgebreide informatie over de Vivid Drive 23N en paneelberekeningsvoorbeelden raadpleegt u de Vivid Drive 23N beknopte referentiegid.

Afmetingen van het product

1,34 in
34 mm



2,56 in
65 mm



3. Instelling

AC-stroom

Elke Vivid 4 heeft een voeding met automatisch bereik die werkt met een ingangsspanning van 100–240 VAC, 50/60 Hz. Om de vermogensvraag van elke Vivid 4 vast te stellen, raadpleegt u het etiket dat aan het product is bevestigd. U kunt ook de kaart [Technische specificaties](#) in deze handleiding raadplegen.

Het gemelde spanningsvermogen geeft het maximale stroomverbruik aan gedurende normale werking. Voor meer informatie kunt u Maten aardlekschakelaars downloaden van de website van Chauvet: www.chauvetdj.com.



- Sluit dit product altijd aan op een beveiligd circuit met elektrische aarding om het risico op elektrocutie of brand uit te sluiten.
- Om onnodige slijtage te elimineren en zijn levensduur te verlengen, gedurende perioden wanneer het product niet wordt gebruikt, moet u het product van de stroom afsluiten door een aardlekschakelaar om te zetten of door het te ontkoppelen.



Sluit dit product nooit aan op een regelweerstand (variabele weerstand) of dimmercircuit, zelfs als het regelweerstand- of dimmerkanaal alleen als een 0 tot 100%-schakelaar dient.

AC Plug

Elke Vivid 4 wordt geleverd met een power linking-snoer om stroom aan te sluiten tussen panelen en een stroomingangssnoer.

Deze kabel heeft een Seetronic powerKON[®]-stekker voor aansluiting van de Vivid 4 en een Edison-stekker voor voeding.

Power Linking

Alle Vivid 4-panelen ondersteunen power linking. Raadpleeg de volgende tabel voor specificaties over elk paneel.

Spanning	Vivid 4 Products
@ 120 V, 60 Hz	7
@ 230 V, 50 Hz	13



Raadpleeg alle geldende plaatselijke normen en regelgeving voor de juiste installatie van dit product.

4. Montage

Oriëntatie

Elke Vivid 4 is geconstrueerd van een gegoten magnesiumlegering. Dit zorgt ervoor dat elk paneel stabiel is en eenvoudig te plaatsen. Elk paneel heeft ook een handige ingebouwde hendel die zich op de bovenzijde, achterop het paneel bevindt, met een uitlijningsnippel bovenop. Met deze combinatie kunt u elk paneel eenvoudig oppakken en vasthouden terwijl u de panelen monteert en ermee werkt.

De Vivid 4 kan worden samengesteld tot verschillende modulaire ontwerpen. De panelen bovenaan kunnen hangen aan een spant of een ander stabiel oppervlak. Hang het altijd in een veilige positie met voldoende ruimte voor ventilatie, configuratie en onderhoud.

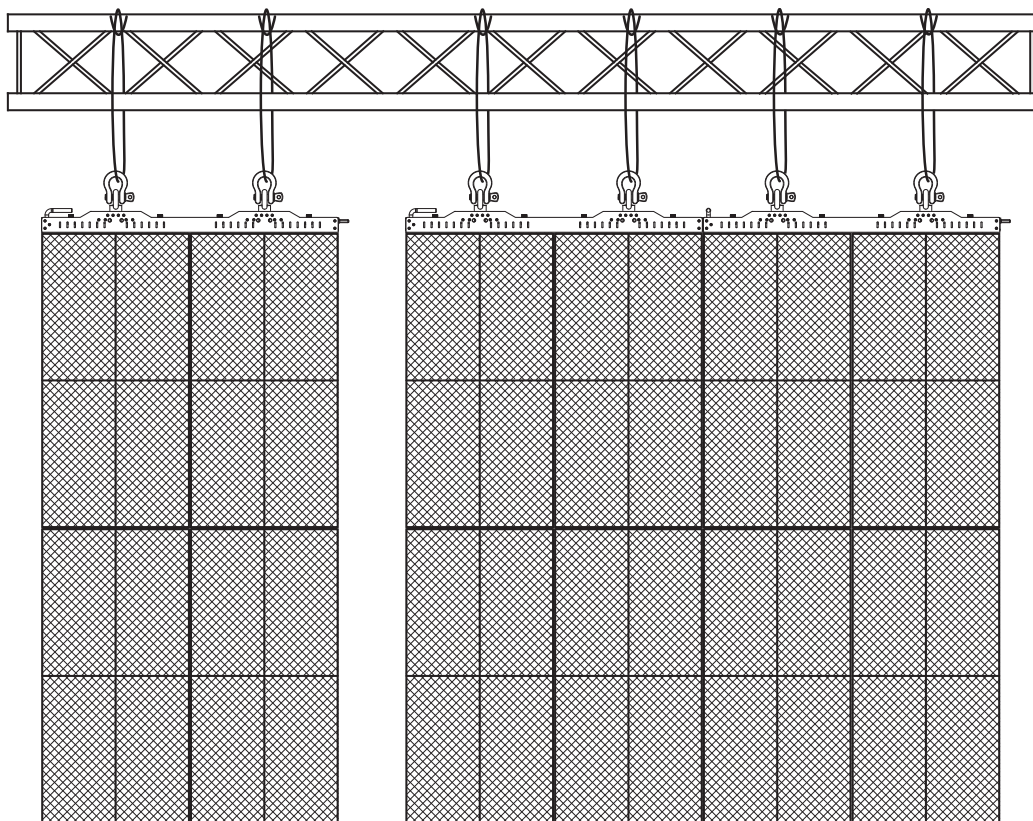
Chauvet raadt hieronder de volgende algemene richtlijnen aan.

- Bij het kiezen van een plaatsingslocatie moet u rekening houden met eenvoudige toegang voor bediening en routine-onderhoud.
- Uit de buurt van ontvlambaar materiaal hangen, zoals ook is aangegeven in de sectie [Veiligheidsinstructies](#).
- Nooit monteren op plekken waar regen, extreme temperatuurwisselingen of beperkte ventilatie dit product kunnen beïnvloeden.
- Controleer of de constructie en de bevestigingspunten waaraan u de panelen hangt het gewicht kan dragen.
- Controleer of alle gebruikte dragende apparatuur het gewicht kan dragen.
- Zie de [Technische specificaties](#) voor de gewichtsvereiste van elke Vivid 4.

Spantinstallatie

Raadpleeg het volgende diagram voor spantinstallatie. Chauvet biedt de F-Serie Rig Bar aan (apart verkocht), die specifiek is ontworpen voor het ophangen van de panelen.

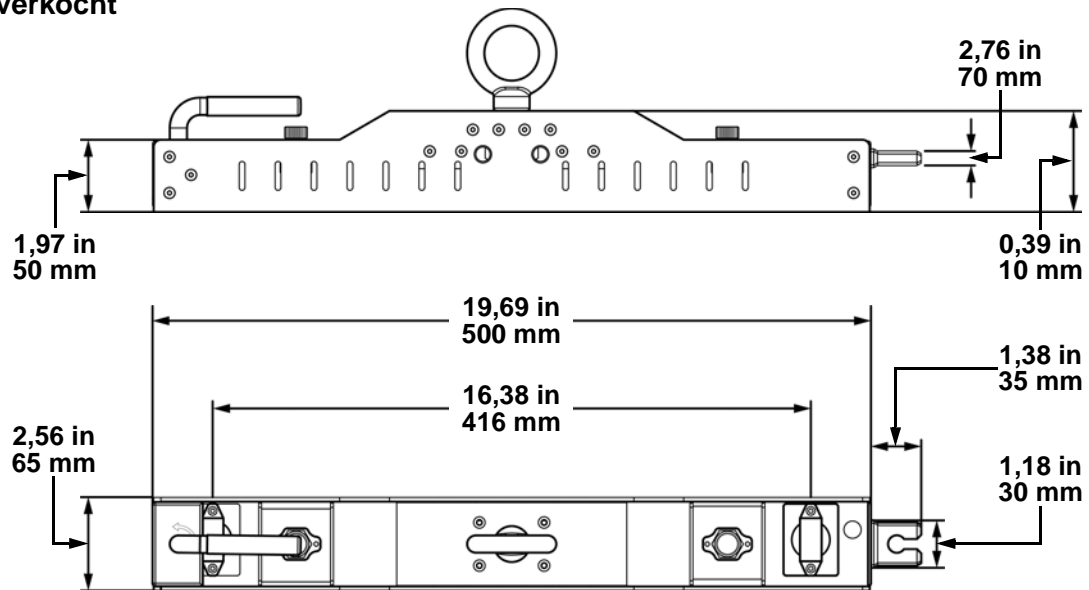
Bevestiging aan een spant met de optionele F-Serie Rig Bar



De hierboven getoond illustraties zijn slechts voorbeelden. Raadpleeg alle geldende plaatselijke normen en regelgeving voor de juiste installatie van het product.

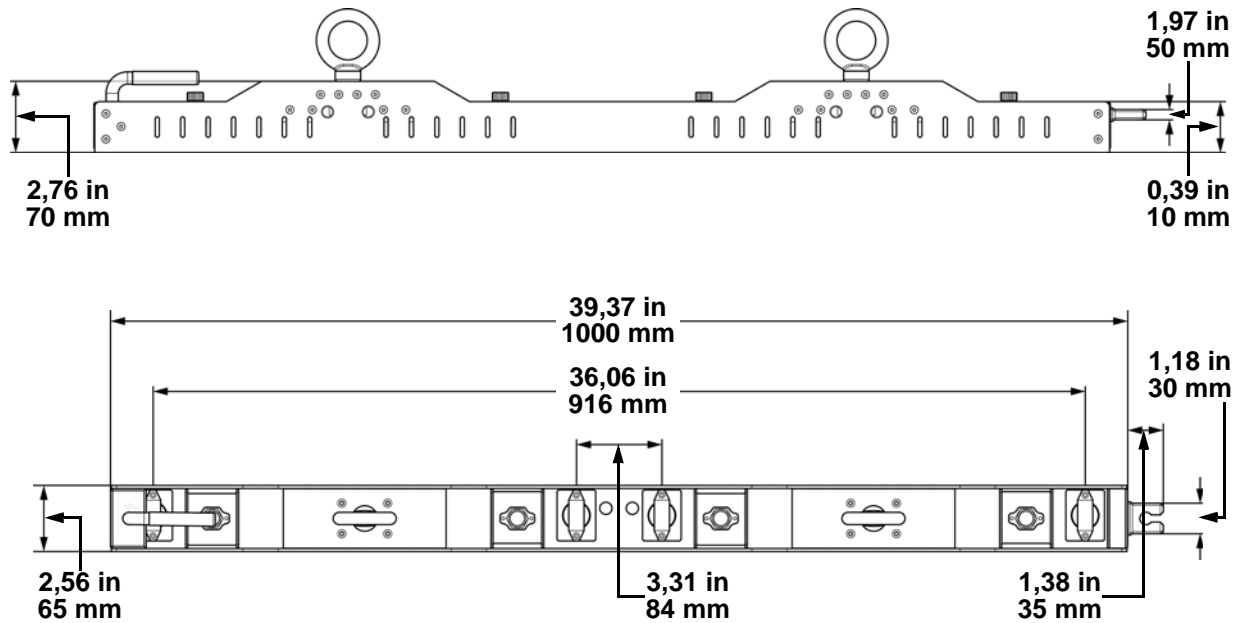
RB-F50CM Rig Bar-afmetingen

Apart verkocht

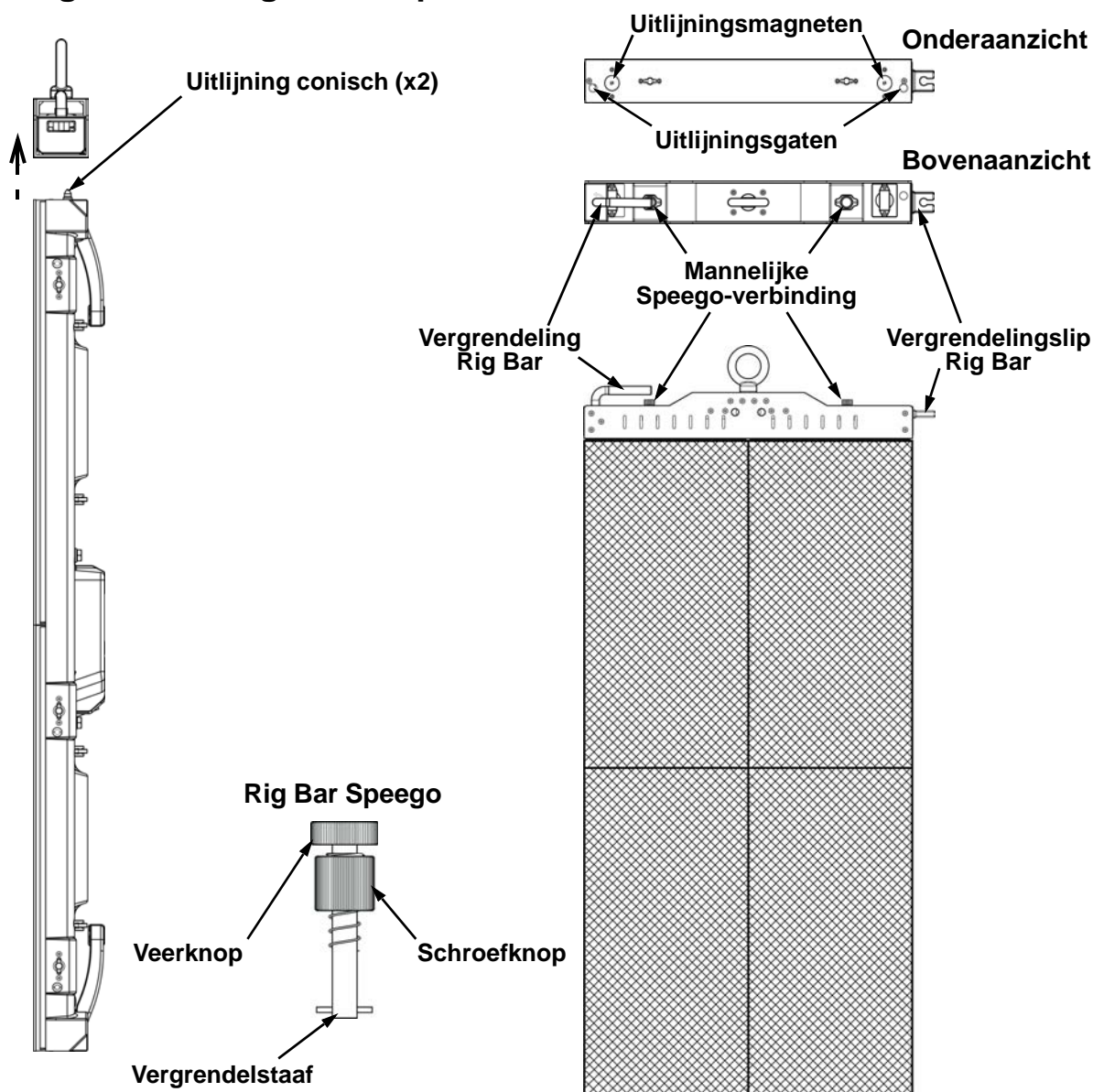


RB-F100CM Rig Bar-afmetingen

Apart verkocht



Montage van de Rig Bar/het paneel



1. Steek de conische uitlijningspunten in een uitlijningsgaten en laat de magneten koppelen.
2. Plaats de Speego-vergrendelingsstaven van de Rig Bar in de vrouwelijke Speego-aansluitingen op de Vivid 4.
3. Draai de veerknop op de Rig Bar Speego met 90° totdat het vastklikt.
4. Draai de schroefknop met de klok mee totdat de Vivid 4 vastzit aan de Rig Bar.
5. Om de Rig Bar te ontkoppelen van de Vivid 4 draait u de vorige stappen om.

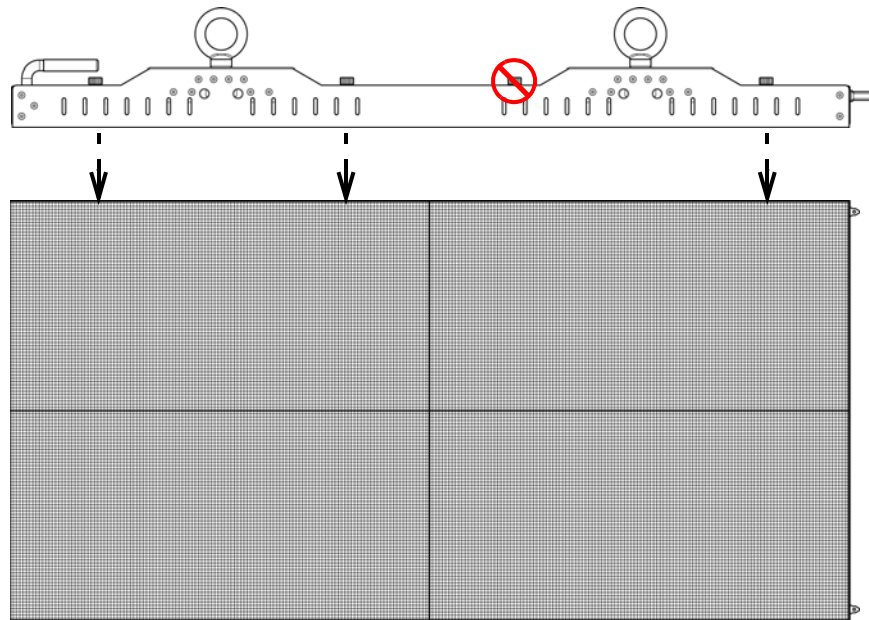


- De uitlijningsmagneten op de Vivid 4 en F-serie Rig Bar zijn ontworpen om het gewicht van het paneel tijdelijk te houden, zodat de gebruiker het paneel kan uitlijnen en vastmaken.
- Elke zijde van de Vivid 4 met vrouwelijke Speego-verbindingen is te bevestigen aan de F-serie Rig Bar, maar alleen de korte zijde heeft conische uitlijningspunten en magneten. Bij het bevestigen van de lange zijde van de Vivid 4 aan de Rig Bar moet u erop letten dat de pixels over de videomontage goed zijn uitgelijnd.



Waarschuwing! De magnetische bevestigingen zijn niet-dragend en zijn alleen bedoeld voor uitlijningshulp. Laat het paneel pas los als de hangende apparatuur volledig vastzit.

Alternatieve montage van de Rig Bar/het paneel



Met de RB-F100CM opbouw balk kan de Vivid 4 horizontaal worden gemonteerd. Volg dezelfde instructies als bij de [Montage van de Rig Bar/het paneel](#), maar wees extra voorzichtig, aangezien de lange zijde van het product geen conische uitlijningspunten of magneten bevat.

Bij horizontale montage op de RB-F100CM worden geen Rig Bar Speegos gebruikt.

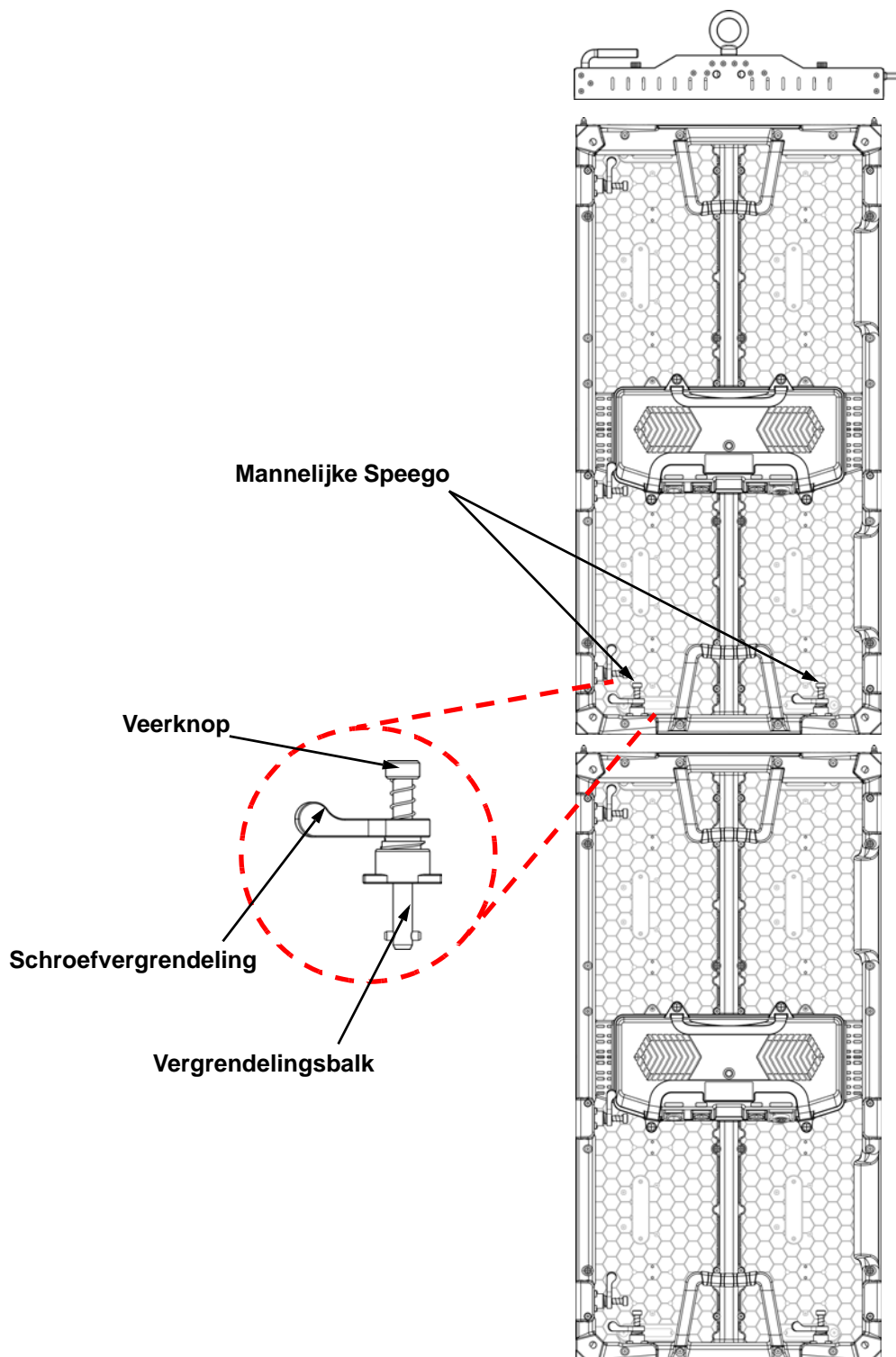
Spantmontage met Chauvet CT-APP

De Vivid 4 (met F-serie Rig Bar) kan aan een spant worden gemonteerd met behulp van de CT-APP van TRUSST®. Zie de beknopte handleiding voor de CT-APP op trusst.com voor meer informatie.

5. Creëren van een modulair ontwerp

Verticaal samenvoegen van de panelen

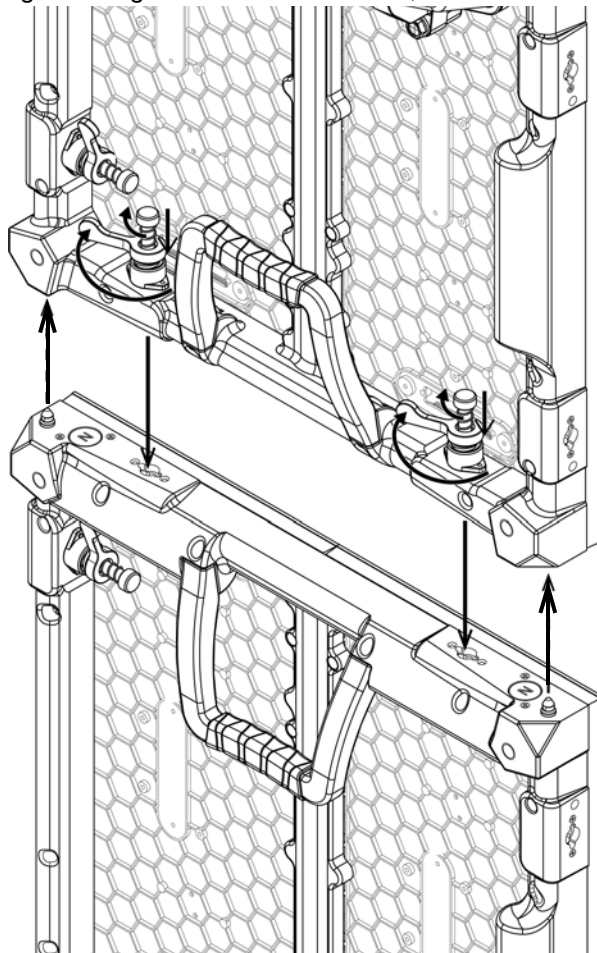
Elke Vivid 4 kan eenvoudig verticaal aan een spant worden samengevoegd met een optionele opbouw balk en de 2 vrouwelijke speego-aansluitingen in de bovenhoek van elk paneel. Gebruik de mannelijke Speego-aansluitingen onderaan elk paneel om extra panelen aan te sluiten. Deze aansluitingen blijven verzonken als ze niet gebruikt worden.



Verticale paneelverbinding

Gebruik de volgende instructies om de panelen verticaal samen te voegen:

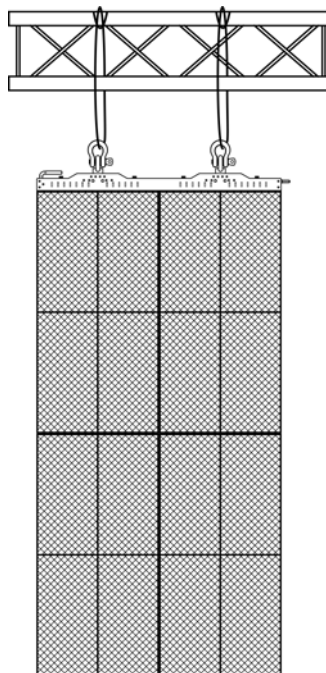
1. Lijn de conische uitlijningspunten bovenaan elk paneel en de uitlijningsmagneten boven- en onderaan elk paneel uit.
2. Duw de mannelijke Speego-aansluitingen in de vrouwelijke Speego-aansluitingen.
3. Draai de veerknoppen 90° met de klok mee.
4. Draai de schroefvergrendeling 180° met de klok mee, totdat ze vast zitten.



Waarschuwing! De magnetische bevestigingen zijn niet-dragend en zijn alleen bedoeld voor uitlijningshulp. Laat het paneel pas los als de hangende apparatuur volledig vastzit.

Horizontaal samenvoegen van de panelen

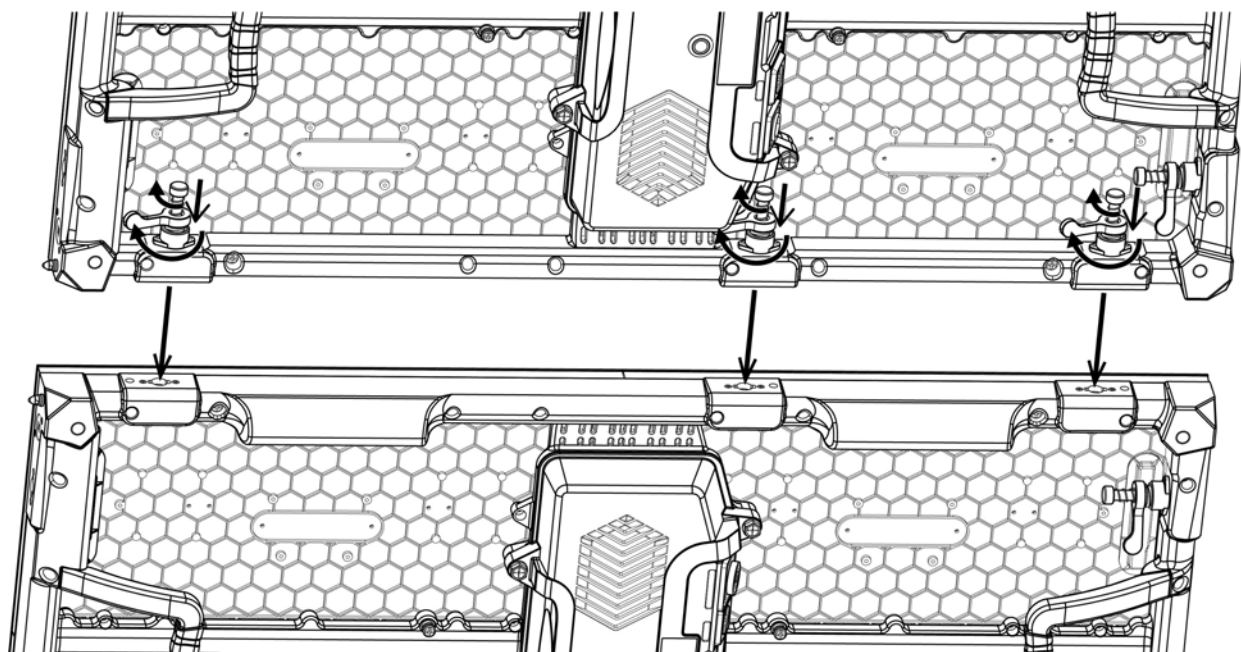
Elke Vivid 4 kan eenvoudig horizontaal worden samengevoegd met de Speego-verbindingen op de binnenste, bovenste en onderste linkerzijden van elk paneel.



Horizontale paneelverbinding

Gebruik de volgende instructies om de panelen horizontaal samen te voegen:

1. Lijn elk van de mannelijk Speego-aansluitingen van het paneel uit met de overeenkomende vrouwelijke aansluitingen op de panelen die toegevoegd worden.
2. Duw de mannelijke Speego-aansluitingen in de vrouwelijke Speego-aansluitingen.
3. Draai de veerknoppen 90° met de klok mee.
4. Draai de schroefvergrendeling 180° met de klok mee, totdat ze vast zitten.



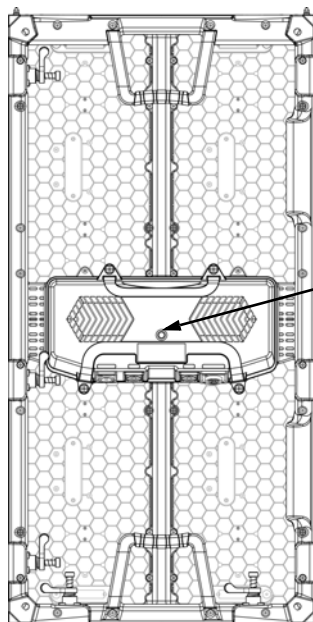
6. Verbinden en bekabelen

Testen van signaal- en stroomaansluitingen

Elke Vivid 4 heeft 2 stopcontacten en 2 signaalpoorten.

- De stroom- en signaalaansluitingen bevinden zich op de onderzijde van de onderhoudsmodule van elk paneel.
- De signaalpoorten zijn onderling verwisselbaar te gebruiken.
- Elke Vivid 4 heeft LED-lampjes op de testknop in het midden van het paneel.
- Elk paneel geeft een succesvolle stroomaansluiting aan wanneer het stroomlampje rood blijft.
- Elk paneel geeft de aanwezigheid van een signaal aan wanneer het LED-lampje voor het signaal snel groen knippert. Wanneer het LED-lampje langzaam groen knippert, is er geen signaal.

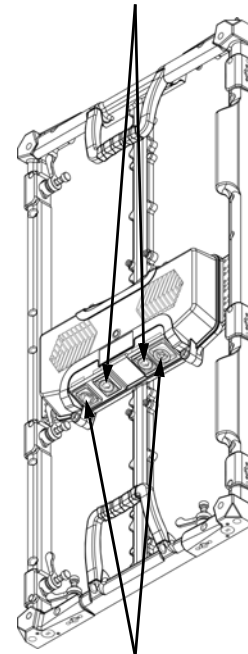
Achterpaneelaanzicht



Testknop/
stroom/
signaal-LED's

**Aanzicht van de onderzijde
van de onderhoudstoegang**

Signaalverbindingen



Stroomingang/uitgang

Gebruik van de testknop van de Vivid 4

Elke Vivid 4 heeft ook een testknop die wordt gebruikt om te controleren of alle LED's werken. Gebruik de testknop op elk paneel om een zelftest uit te voeren. Bij het zelftesten moet u de test individueel voor elke Vivid 4 uitvoeren. U hoeft geen verbinding te maken met een signaal of software te gebruiken.



Bij het gebruiken van de testknop moet u controleren of de Vivid 4 NIET is verbonden met de Vivid Drive 23N.

Om de testknop te gebruiken moet u de stroom aansluiten, maar mag u nog niet de signaalkabels aansluiten. Druk op de testknop om door de verschillende weergaveconfiguraties van de LED-lamp te schakelen.

Aansluiten van stroom- en signaalkabels

De volgende onderdelen leveren informatie en diagrammen over het verbinden van signalen en stromen tussen panelen.

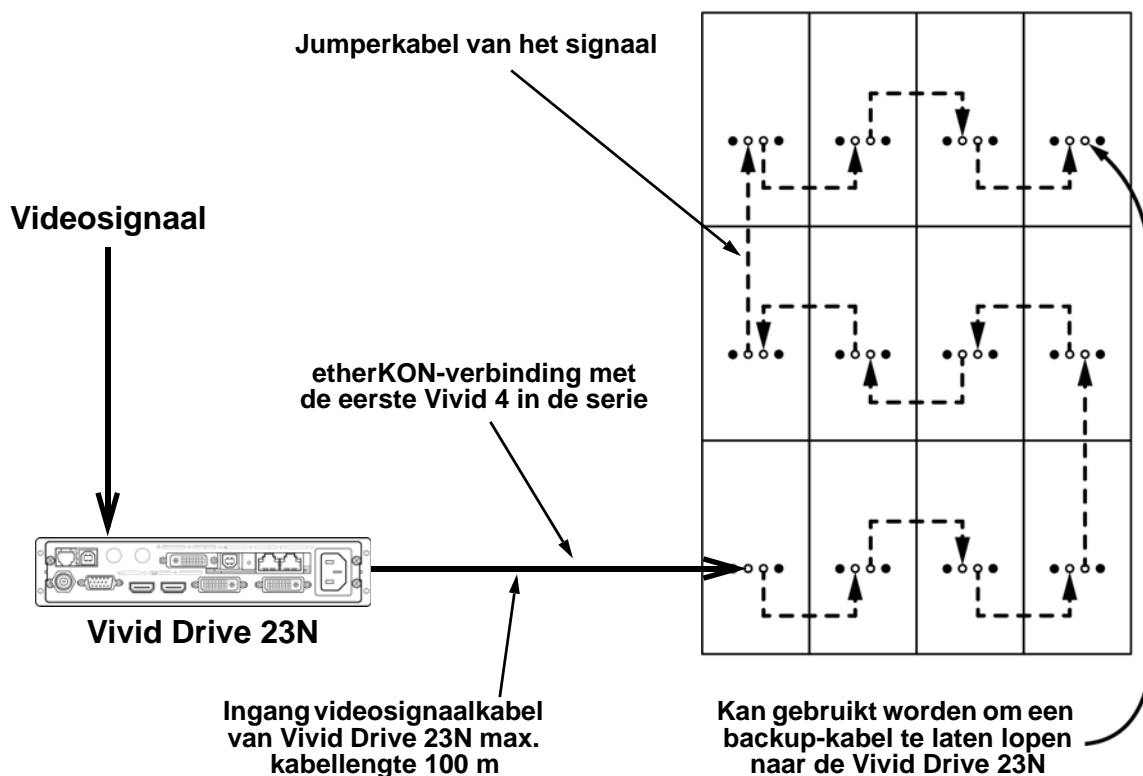
Raadpleeg de onderdelen [Inleiding](#) of [Werking](#) in deze gebruikershandleiding voor beschikbare kabels en artikelnummers.

Het signaal aansluiten tussen de samengevoegde panelen

Paneelaansluitingen van de signaalkabel kunnen verschillende configuraties gebruiken. De basisconfiguratie voor het verbinden van het signaal van het ene paneel tot het volgende is als volgt.

1. Het bronsignaal is verbonden aan het eerste paneel.
2. Daarna wordt een signaalkabel aangesloten vanaf het eerste paneel.
3. De aansluitingen blijven in serie verbonden totdat alle panelen zijn verbonden.
4. De route die wordt gebruikt om de signaalverbindingen te maken kan verschillen.

Het volgende diagram is een aanbevolen suggestie voor eenvoudige signaalkoppelingen tussen panelen.



Het vermogen aansluiten tussen de samengevoegde panelen

Paneelaansluitingen van de vermogenskabel gebruiken ook verschillende configuraties. De basisconfiguratie voor het verbinden van netvoeding van het ene paneel tot het volgende is als volgt:

1. De netvoeding is verbonden met de vermogensingang of -uitgang van het eerste paneel.
2. Daarna wordt een stroomkabel verbonden met de vermogensuitgang van het eerste paneel en verbonden met de vermogensingang van het volgende paneel.
3. De aansluitingen blijven doorgaan totdat alle panelen zijn verbonden.

Verbind de stroom tussen de panelen met dezelfde procedure als het signaal, alleen nu met de vermogensingang- en vermogensuitgangaansluitingen. U moet zich houden aan de power-linking specificaties voor elk Vivid 4-model.

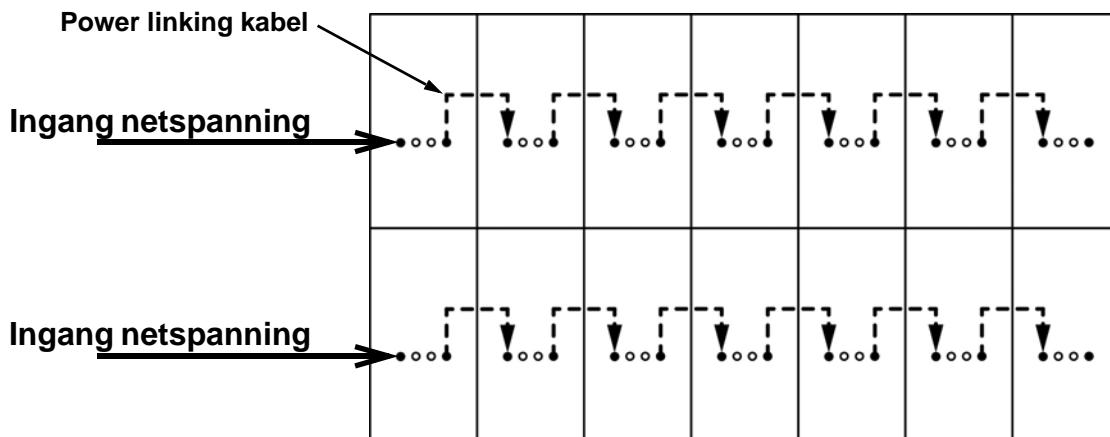
Raadpleeg het onderdeel [Power Linking](#) voor details over het aantal panelen dat op basis van spanning kan worden gekoppeld vanaf een enkele vermogensverbinding.



Het power linken van meer dan de aanbevolen panelen zal uw garantie doen vervallen en de kans op elektrocutie of brand verhogen!

Raadpleeg het volgende diagram voor een voorbeeld van stroomverbinding vanaf het spanningsnet voor elk verbonden paneel.

Dit voorbeeld gebruikt een Vivid 4 en koppelt middels power linking 7 panelen horizontaal @ 120 V.



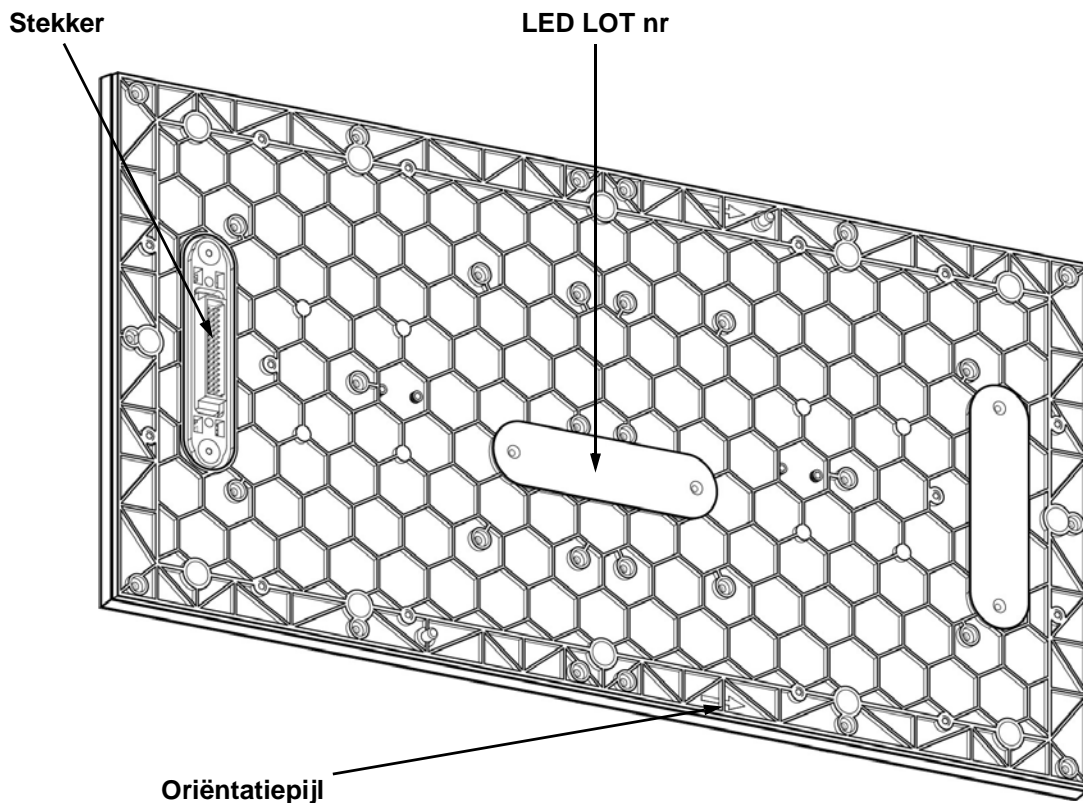
7. Verzorging en vervanging van de LED-module

Vivid 4 LED-module

Elke Vivid 4 heeft 4 LED-modules die aan het paneelframe zijn bevestigd met magneten. Elke module heeft een stekker die wordt aangesloten op de hoofdverwerkingseenheid.

Lot-nummers van de LED

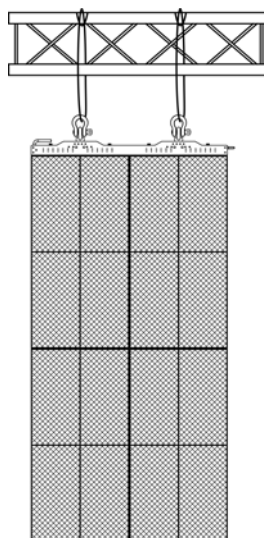
Om consistente kleuren en opbrengst te waarborgen, moet u beschadigde of defecte LED-modules alleen vervangen met dezelfde LOT-nr's als de andere LED's op het paneel. Bij het combineren van panelen voor het creëren van volledige videowandsystemen (verhuur, permanente installaties, etc.) wordt het ten zeerste aanbevolen dat de LED-LOT-nr's van de panelen met elkaar overeenkomen. LED LOT-nr's zijn achterop elk paneel te vinden.



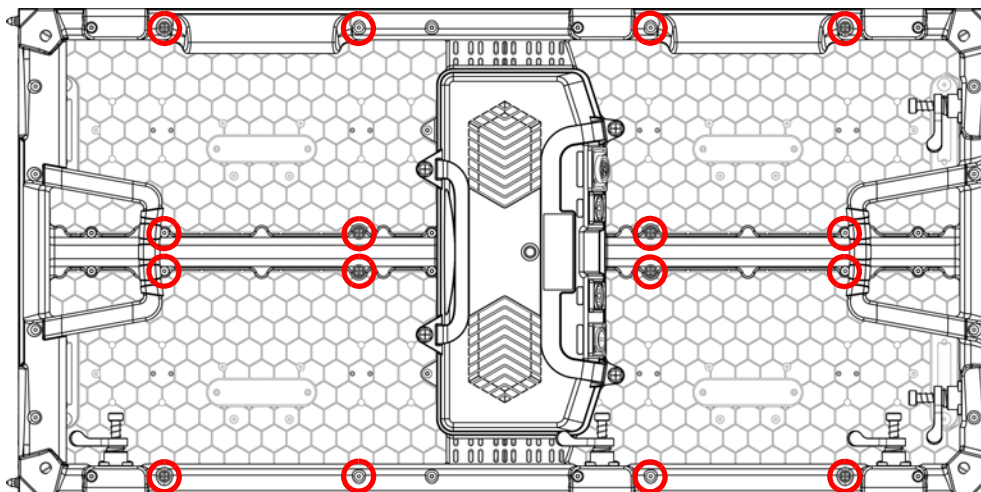
A- en B-modules


De Vivid 4 heeft 2 soorten modules, die zijn ontworpen om de onderhoudsmodule slechts vanaf één richting aan te koppelen. Controleer waar de connector is wanneer de oriëntatiepijlen omhoog wijzen om vast te stellen of de module van type A (bovenste helft, connector omlaag) of type B is (onderste helft, connector omhoog).

Vivid 4 LED-moduleverwijdering



1. Identificeer de module die moet worden verwijderd.
2. Verwijder dat paneel van de videowand en plaats het met de voorzijde omlaag op een vlakke ondergrond.



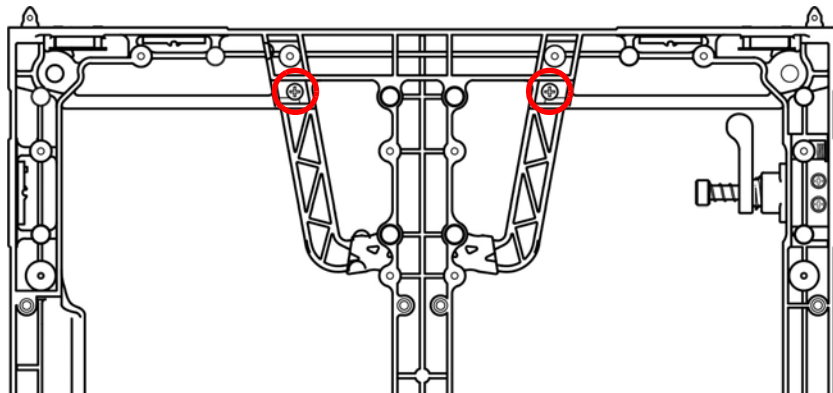
3. Verwijder de 4 schroeven die de geselecteerde module vastzetten met behulp van een kruiskopschroevendraaier.
 4. Duw de module met toenemende kracht weg van het frame tot de connector loskoppelt, waarbij u er op let de connector niet te beschadigen.
-  Wees bij het verwijderen van de module voorzichtig dat u de stekker, die is bevestigd aan de achterzijde van de module, niet beschadigt.
5. Voer de stappen in omgekeerde volgorde uit om de vervangende module te installeren.

8. Paneelconfiguratie

De handgrepen verwijderen en installeren

De Vivid 4 is uitgerust met 2 handgrepen die indien nodig kunnen worden verwijderd.

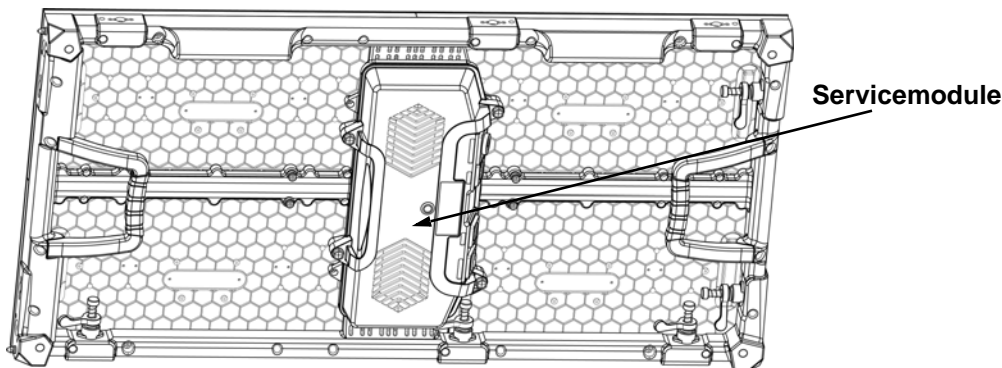
1. Verwijder de modules van het paneel zoals is beschreven in [Verzorging en vervanging van de LED-module](#).
2. Verwijder de 2 schroeven die de handgrepen aan het product bevestigen met een kruiskopschroevendraaier vanaf de voorzijde van het paneel.



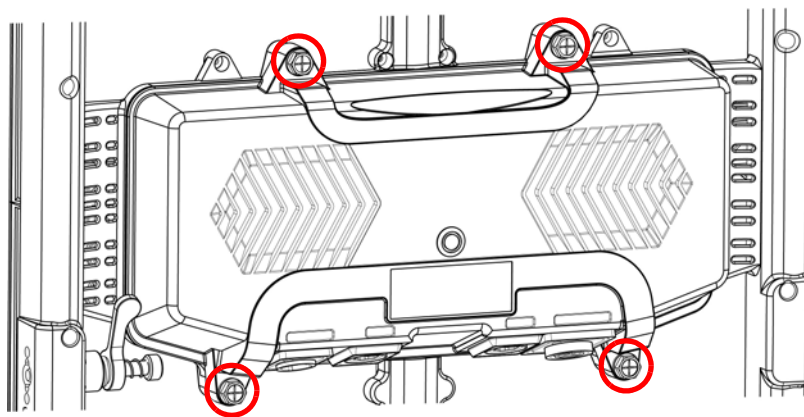
3. Plaats de modules terug.
4. Voer de stappen in omgekeerde volgorde uit om de handgrepen terug te plaatsen.

Toegang tot de servicemodule

De servicemodule van de Vivid 4 is toegankelijk vanaf de achterzijde van het paneel.



Voor toegang tot de Vivid 4-servicemodule verwijdert u de 4 schroeven die in het onderstaande diagram zijn aangegeven.



Wees voorzichtig bij het verwijderen van deze schroeven, aangezien de afdekkap van de servicemodule zal loskomen van het paneelframe. Alle onderdelen in de servicemodule zijn aan de afdekkap bevestigd.

9. Gebruikelijke Vivid 4-installatie

Doordat een videowandsysteem verschillende onderdelen kan bevatten voor een eenvoudig tot complex modulair wandontwerp, kunt u de volgende stappen gebruiken als algemene richtlijn om te starten.

Stap 1

Open en onderzoek de Vivid 4 roadcase om te controleren dat u alle producten en accessoires hebt ontvangen en dat alles in goede conditie is.

Stap 2

Sluit de voeding aan en voer voor elke Vivid 4 de zelftest uit om te controleren of alle LED's en inwendige aansluitingen in elk paneel werken (optioneel).

Stap 3

Creëer een stabiel montageoppervlak (bijv. spant of ander stabiel oppervlak) voor montage van de Vivid 4.

Stap 4

Monteer de bovenste rij Vivid 4s. Raadpleeg de sectie [Montage](#) in deze gebruikershandleiding.

Stap 5

Pas de uitlijning van de eerste rij aan met behulp van de Speego-aansluitingen.

Stap 6

Verbind de signaalbron met de Vivid Drive 23N.

Stap 7

Sluit de Vivid Drive 23N aan op de signaalpoort van het eerste paneel in uw verbindingssketen.

Stap 8

Op basis van uw videowandconfiguratie (ontwerp), voegt u elk paneel, horizontaal of verticaal samen, met de instructies in het onderdeel [Creëren van een modulair ontwerp](#).

Raadpleeg de instructies en informatie in het onderdeel [Verbinden en bekabelen](#) van deze gebruikershandleiding.

10. Werking

Extra apparatuur en software

Naast de panelen heeft u ook andere apparatuur en software nodig om uw Vivid 4-videowandsysteem te ontwerpen, bouwen en bedienen. De volgende tabel geeft een samenvatting van deze extra artikelen—sommige zijn vereist en andere zijn optioneel.

Item	Beschrijving
Vivid Drive 23N	Interface tussen de signaalbron, NovaLCT-Mars en de Vivid 4 die wordt gebruikt
NovaLCT-Mars	Softwaretoepassing die wordt gebruikt voor het ontwerpen en het plaatsen van de Vivid 4's die de videowand bevatten. Er is een PC nodig
F-Serie Rig Bar (optioneel)	Bevat de apparatuur die nodig is om de Vivid 4 te monteren
Neutrik® etherCON® Signaalverlengkabel (optioneel)	Neutrik etherCON CAT6-verlengkabel, 18 in. Neutrik etherCON CAT6-verlengkabel, 5 ft Neutrik etherCON CAT6-verlengkabel, 10 ft Neutrik etherCON CAT6-verlengkabel, 25 ft Neutrik etherCON CAT6-verlengkabel, 50 ft
Neutrik® powerCON® verlengkabel (optioneel)	Neutrik powerCON-verlengkabel, 18 in. Neutrik powerCON-verlengkabel, 5 ft Neutrik powerCON-verlengkabel, 10 ft Neutrik powerCON-verlengkabel, 25 ft Neutrik powerCON-verlengkabel, 50 ft
VIP Media System	Videocomputersysteem dat in een rek te monteren is
ArKaos MediaMaster	Videoafspeelsoftware

Over NovaLCT-Mars

NovaLCT-Mars is een krachtige, eenvoudig te leren softwaretoepassing die wordt gebruikt voor het ontwerpen en bedienen van het Vivid 4-videowandsysteem. Het nu volgende biedt inleidende informatie over deze software.

Raadpleeg de gebruikershandleiding voor Vivid Drive 23N voor uitgebreide informatie en instructies over het instellen en gebruiken van Vivid Drive 23N met uw Chauvet Vivid 4 videowandsysteem.

Beschrijving

Met NovaLCT-Mars kunt u uw videowand creëren en bedienen door de panelen te adresseren die zijn opgenomen in uw videowand, waaronder pixelafstand en layout.

Nadat u het fysieke ontwerp van het modulaire videowand hebt gecreëerd door de panelen samen te voegen, vermogen, signalen en het Vivid Drive 23N aan te sluiten, maakt u dit ontwerp na binnen NovaLCT-Mars.

Uitgebreide informatie en instructies staan in de gebruikershandleiding van de Vivid Drive 23N.



Chauvet raadt het gebruik van NovaLCT-Mars af voor het afspelen van een live show. Voor dit doeleinde biedt Chauvet de Arkaos MediaMaster aan, die verschillende afspelertriggers heeft, waaronder DMX, Art-Net, MA-net, MIDI en QWERTY.

11. Technische informatie

Onderhoud van de Vivid 4

Voor het behoud van optimale prestaties en om slijtage te minimaliseren, moet de gebruiker dit product regelmatig reinigen. Het gebruik en de omgeving zijn factoren die bijdragen aan het bepalen van de schoonmaakfrequentie.

Als vuistregel moet het product ten minste tweemaal per maand gereinigd worden. De ophoping van stof verlaagt de lichtemissieprestaties en kan oververhitting veroorzaken. Dit kan leiden tot een kortere levensduur van de lichtbron en verhoogde mechanische slijtage.

Volg onderstaande aanbevelingen om de Vivid 4, te reinigen:

1. Haal het paneel van de stroom.
2. Wacht totdat het product op kamertemperatuur is.
3. Gebruik een zachte borstel om stof te verwijderen dat zich heeft opgehoopt op de externe onderdelen.
4. Veeg de buitenzijde van de LED-modules af met een zachte, pluisvrije doek die is bevochtigd met een oplossing van water en reinigingsmiddel. Niet te hard drukken.
5. Controleer of alle verbinding goed zijn gedroogd voordat u de stroom- en signaalkabels weer aansluit.



Droog de externe oppervlakken altijd zorgvuldig na het reinigen.

Retouren

U moet het product gefrankeerd, in de originele doos en met de originele verpakking en accessoires opsturen. Chauvet geeft geen retourstickers af.

Bel Chauvet en vraag om een retouropdrachtformulier (RMA)-nummer vóór het verzenden van het product. Zorg dat u het modelnummer, serienummer en een korte beschrijving van de retouroorzaak bij de hand hebt.

Om een service aanvraag online in te dienen, ga naar www.chauvetdj.com/service-request.

Label het pakket duidelijk met een RMA-nummer. Chauvet weigert producten die worden geretourneerd met een RMA-nummer.



Schrijf het RMA-nummer NIET direct op de doos. Schrijf het in plaats daarvan op een goed bevestigd label.

Als u een RMA-nummer hebt gekregen, meld dan de volgende informatie op een stukje papier binnen de doos:

- Uw naam:
- Uw adres:
- Uw telefoonnummer
- Het RMA-nummer
- Een korte beschrijving van het probleem

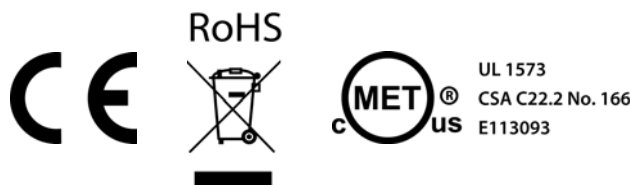
Zorg ervoor dat u het product voldoende inpakt. Alle verzendschade die resulteert uit onvoldoende verpakking is de verantwoordelijkheid van de klant. FedEx-verpakking of dubbele dozen worden aanbevolen.



Chauvet behoudt zich het recht voor om (het) geretourneerde product(en) naar eigen inzicht te repareren of te vervangen.

12. Technische specificaties

Lichtbron	Driekleurige RGB SMD 1921 LED
Pixels per paneel	140 x 208 (21.632 totaal)
Pixelafstand (tussen LED's)	4,8 mm
Pixeldichtheid	43.264/m ²
Verversingssnelheid van de display	1.920 Hz
Kijkhoek	120°
Verlichtingssterkte	1.000 NITS
Maximum Illuminance	1.200 NITS
Rode golflengte	615 naar 625 nm
Groene golflengte	516 naar 530 nm
Blauwe golflengte	460 naar 475 nm
Type voedingsmodule	Shakelend
AC spanningsbereik	100–240 VAC, 50/60 Hz
Spanningsselectie	Automatisch wisselend bereik
Stroomverbruik 120 V, 60 Hz	280 W, 2,3 A
Stroomverbruik 230 V, 50 Hz	280 W, 1,2 A
Power Linking @ 120 V, 60 Hz	7 eenheden
Power Linking @ 230 V, 50 Hz	13 eenheden
Afmetingen	19,7 x 1,9 x 39,4 in (500 x 65 x 1000 mm)
Gewicht	27,6 lb (12,5 kg)
Transparantie	0%
Materiaal van de behuizing	Gegoten magnesiumlegering
Stroomaansluiting	Seetronic powerKON®
Gegevensaansluiting	Seetronic etherKON®
Productnaam	VIVID4X4
Artikelcode	23091329
UPC-code	781462216771



Contact Us

World Headquarters	
General Information	Technical Support
Address: 5200 NW 108th Ave. Sunrise, FL 33351 Voice: (954) 577-4455 Fax: (954) 929-5560 Toll Free: (800) 762-1084	Voice: (844) 393-7575 Fax: (954) 756-8015 Email: chauvetcs@chauvetlighting.com
	Website www.chauvetlighting.com
EUROPE	
General Information	Technical Support
Address: Stokstraat 18 9770 Kruishoutem Belgium Voice: +32 9 388 93 97	Email: eutech@chauvetlighting.eu
	Website www.chauvetlighting.eu
General Information	Technical Support
Address: Unit 1C Brookhill Road Industrial Estate Pinxton, Nottingham, UK NG16 6NT Voice: +44 (0) 1773 511115 Fax: +44 (0) 1773 511110	Email: uktech@chauvetlighting.com
	Website www.chauvetlighting.co.uk
MEXICO	
General Information	Technical Support
Address: Av. de las Partidas 34 - 3B (Entrance by Calle 2) Zona Industrial Lerma Lerma, Edo. de México, CP 52000 Voice: +52 (728) 690-2010	Email: servicio@chauvet.com.mx
	Website www.chauvet.com.mx

Visit the applicable website above to verify our contact information and instructions to request support. Outside the U.S., United Kingdom, Ireland, Mexico or Benelux, contact the dealer of record.