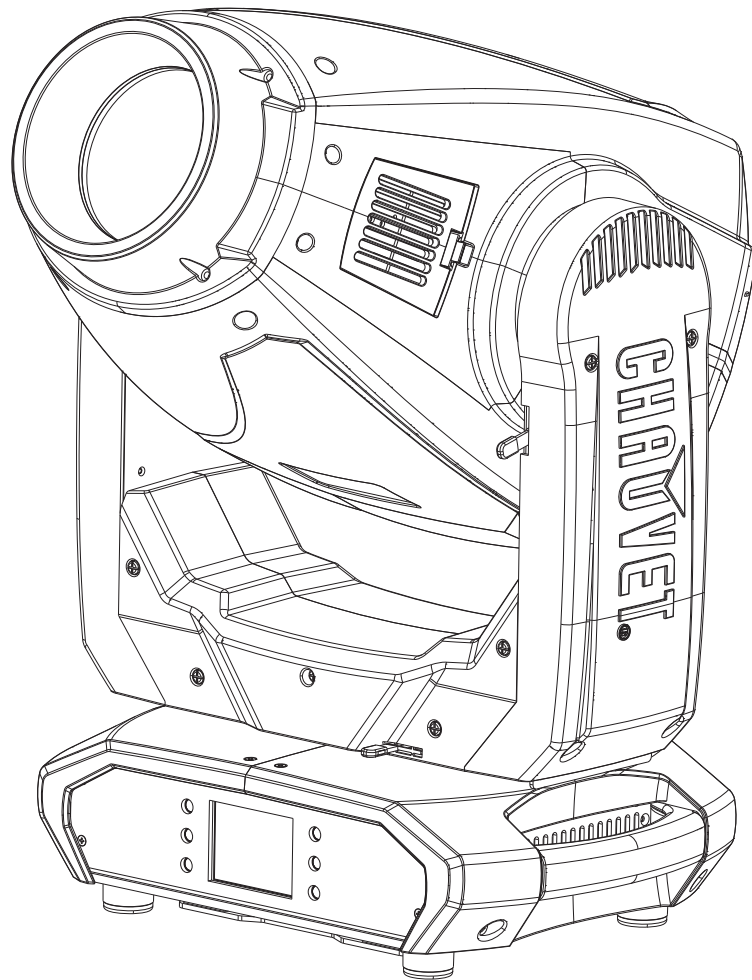


# MAVERICK

## MK2 PROFILE

### Quick Reference Guide

English	EN
Español	ES
Français	FR
Nederlands	NL



## About This Guide

The Maverick MK2 Profile Quick Reference Guide (QRG) has basic product information such as connection, mounting, menu options, and DMX values. Download the User Manual from [www.chauvetprofessional.com](http://www.chauvetprofessional.com) for more details.

### Disclaimer

The information and specifications contained in this QRG are subject to change without notice.

### LIMITED WARRANTY

**FOR WARRANTY REGISTRATION AND COMPLETE TERMS AND CONDITIONS PLEASE VISIT OUR WEBSITE.**

**For Customers in the United States and Mexico:** [www.chauvetlighting.com/warranty-registration](http://www.chauvetlighting.com/warranty-registration)

**For Customers in the United Kingdom, Republic of Ireland, Belgium, the Netherlands, Luxembourg, France, and Germany:** [www.chauvetlighting.eu/warranty-registration/](http://www.chauvetlighting.eu/warranty-registration/)

Chauvet warrants that this product shall be free from defects in material and workmanship under normal use, for the period specified in and subject to the exclusions and limitations set forth in, the full limited warranty on our website. This warranty extends only to the original purchaser of the product and is not transferable. To exercise rights under this warranty, you must provide proof of purchase in the form of an original sales receipt from an authorized dealer that shows the product name and date of purchase. **THERE ARE NO OTHER EXPRESS OR IMPLIED WARRANTIES.** This warranty gives you specific legal rights. You may also have other rights that vary from state to state and country to country. This warranty is valid only in the United States, United Kingdom, Republic of Ireland, Belgium, the Netherlands, Luxembourg, France, Germany and Mexico. For warranty terms in other countries, please consult your local distributor.

### Safety Notes

- DO NOT open this product. It contains no user-serviceable parts.
- To eliminate unnecessary wear and improve its lifespan, during periods of non-use completely disconnect the product from power via breaker or by unplugging it.
- DO NOT look at the light source when the product is on.
- CAUTION: This product's housing may be hot when lights are operating. Mount this product in a location with adequate ventilation, at least 20 in (50 cm) from adjacent surfaces.
- DO NOT leave any flammable material within 50 cm of this product while operating or connected to power.
- CAUTION: When transferring product from extreme temperature environments, (e.g., cold truck to warm humid ballroom) condensation may form on the internal electronics of the product. To avoid causing a failure, allow product to fully acclimate to the surrounding environment before connecting it to power.
- USE a safety cable when mounting this product overhead.
- DO NOT operate this product outdoors or in any location where dust, excessive heat, water, or humidity may affect it. (IP20)
- DO NOT operate this product if the housing, lenses, or cables appear damaged.
- DO NOT connect this product to a dimmer or rheostat.
- ONLY connect this product to a grounded and protected circuit.
- ONLY use the hanging/mounting bracket to carry this product. Do not carry by the moving head.
- In the event of a serious operating problem, stop using immediately.
- The maximum ambient temperature is 113 °F (45 °C). Do not operate this product at higher temperatures.

### Contact

Outside the U.S., United Kingdom, Ireland, Benelux, France, Germany, or Mexico, contact your distributor to request support or return a product. Visit [Contact Us](#) at the end of this QRG for contact information.

### What is Included

- Maverick MK2 Profile
- Seetronic Powerkon IP65 power cord
- 2 Omega brackets with mounting hardware
- Quick Reference Guide

### AC Power

This product has an auto-ranging power supply that can work with an input voltage range of 100–240 VAC, 50/60 Hz.

#### AC Plug

Connection	Wire (U.S.)	Wire (Europe)	Screw Color
AC Live	Black	Brown	Yellow/Brass
AC Neutral	White	Blue	Silver
AC Ground	Green/Yellow	Green/Yellow	Green



**To eliminate unnecessary wear and improve its lifespan, during periods of non-use completely disconnect the product from power via breaker or by unplugging it.**

## Replacing The Fuse

1. Disconnect this product from power
2. Using a flat head screwdriver, unscrew the fuse holder cap from the housing.
3. Remove blown fuse and replace with a good fuse of the same type and rating.
4. Screw the fuse holder cap back in place and reconnect power.

## DMX Linking

The Maverick MK2 Profile will work with a DMX controller using a 3- or 5-pin DMX serial connection. A DMX Primer is available from [www.chauvetprofessional.com](http://www.chauvetprofessional.com).

### DMX Connection

The Maverick MK2 Profile uses a 3- or 5-pin DMX data connection for its DMX personalities: **22Ch** and **29Ch**. See the User Manual for information about connecting and configuring the product for DMX operation.

### Signal Connection

The Maverick MK2 Profile can link to controller software using an Ethernet connection. If using other Art-Net™ or sACN - compatible products with the Maverick MK2 Profile, you can control each individually on a single network. See the User Manual for information about how to connect and configure the product for these signals.

### Art-Net™ Connection

Art-Net™ is an Ethernet protocol that uses TCP/IP which transfers a large amount of DMX512 data using an Neutrik® etherCON® RJ45 connection over a large network. An Art-Net™ protocol document is available from [www.chauvetprofessional.com](http://www.chauvetprofessional.com). Chauvet Professional recommends using unicast Art-Net™ for best results.

Art-Net™ designed by and copyright Artistic Licence Holdings Ltd.

### sACN Connection

Also known as ANSI E1.31, Streaming-ACN is an Ethernet protocol that uses the layering and formatting of Architecture for Control Networks to transport DMX512 data over IP or any other ACN compatible network. ACN is maintained by the Professional Lighting and Sound Association (PLASA).

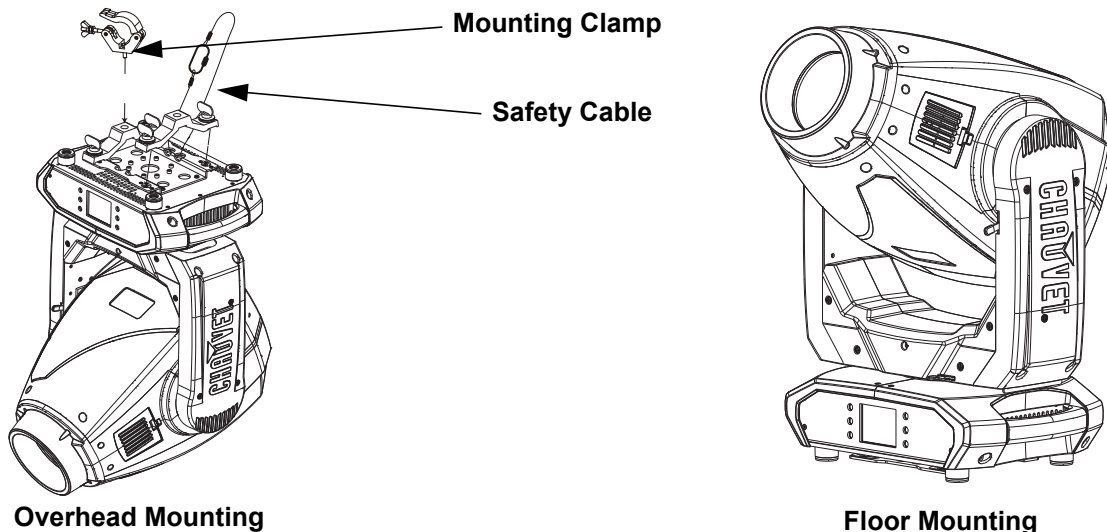
### RDM (Remote Device Management)

Remote Device Management, or RDM, is a standard for allowing DMX-enabled devices to communicate bi-directionally along existing DMX cabling. Check the DMX controller's User Manual or with the manufacturer as not all DMX controllers have this capability. The Maverick MK2 Profile supports RDM protocol that allows feedback to make changes to menu map options. Download the User Manual from [www.chauvetprofessional.com](http://www.chauvetprofessional.com) for more details.

## Mounting

Before mounting this product, read the [Safety Notes](#). Use at least one mounting point per product. Make sure the mounting clamps are capable of supporting the weight of the product. For our Chauvet line of mounting clamps, go to <http://trusst.com/productcategory/truss-clamps/>

### Product Mounting Diagram

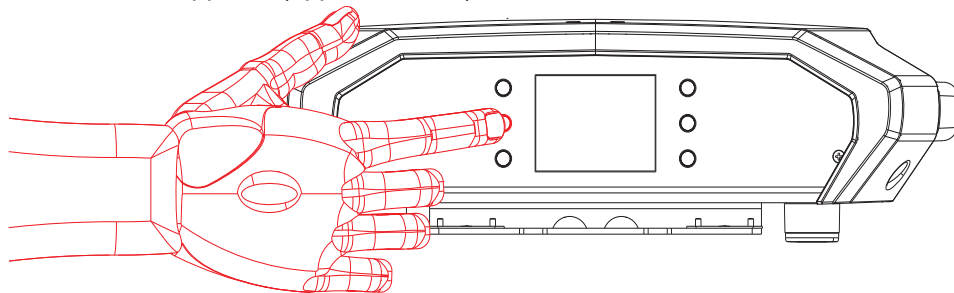


### Control Panel Description

Button	Function
	Navigates upwards through the menu list or increases the numeric value when in a function
	Exits from the current menu or function
	Navigates downwards through the menu list or decreases the numeric value when in a function
	Navigates left through the menu list
	Enables the currently displayed menu or sets the currently selected value into the selected function
	Navigates right through the menu list

### Battery Powered Display

Press and hold until menu screen appears (approx 15 sec.).



### Menu Map

Main Level	Programming Levels		Description
Address	000-512		Network Setting
Network Setup	IP Mode	Manual	Selection of IP mode
		DHCP	
		Static	
	Universe	000-255	Set the Universe
ArtNetIp	002.xxx.xxx.xxx	IP setting	
SubMask	255.xxx.xxx.xxx	Subnet Mask	
Personality	DMX 33CH	YES	Choose 33 Channels of DMX
		NO	
	DMX 50CH	YES	Choose 50 Channels of DMX
		NO	
Settings	Control Mode	DMX	Signal Selection
		WDMX	
		sACN	
		ArtNet	
	Pan Reverse	YES	Reverse the Pan
NO			

Main Level	Programming Levels		Description
Settings	Tilt Reverse	YES	Reverse the Tilt
		NO	
	Screen Reverse	NO	Manually or automatically reverse the screen
		YES	
		AUTO	
	Pan Angle	540	Change the Pan angle
		360	
		180	
	Tilt Angle	270	Change the Tilt angle
		180	
		90	
	BL. O. P/T Move	YES	Enable/disable XY blackout
		NO	
	BL. O. Color Move	YES	Enable/disable color blackout
		NO	
	BL. O. Gobo Move	YES	Enable/disable gobo blackout
		NO	
	Calibration	YES	Turn on Calibration
		NO	
	Touchscreen Lock	YES	Lock the touchscreen
		NO	
	Lock Screen	YES	Lock the buttons and touchscreen
		NO	
	Swap X/Y	YES	Swap the pan and tilt
		NO	
	X/Y Mode	Fast	Pan and tilt speed
		Slow	
	WDMX Reset	YES	Reset the wireless DMX
		NO	
	Backlight Timer	30S	Set the backlight to turn off automatically after a chosen time
1M			
5M			
ON			
Loss of Data	Hold	Loss of data setting	
	Close		
Fans	Auto	Change the fan speed mode	
	Full		
	ECO		
Theatrical Dimming	YES	Updated dimming	
	NO	Legacy dimming that will match older Maverick MK2 Profiles	
Dimmer Curve	Linear	Set the dimmer curve	
	Square		
	I Square		
	Scurve		
Dimmer Speed	Smooth	Change the dimmer speed	
	Fast		
PWM Option	600	PWM selection	
	1200		
	2000		
	4000		
	6000		
Smart Zoom	15000	Limits the zoom range for optimal focus	
	Off		
	On		

# QUICK REFERENCE GUIDE



EN

Main Level	Programming Levels		Description	
<b>Settings</b>	<b>Beam Correction</b>	Off	Creates a flat field when using shutters. This will also offset the gobos by 1 position in wheel #1	
		On		
	<b>Preset Select</b>	PRESET A	Recorded preset menu options	
		PRESET B		
		PRESET C		
	<b>Preset Sync</b>	NO	Allows recorded preset menu options to be transferred to other Maverick MK2 Profiles in the DMX daisy chain	
		YES		
	<b>Reset Function</b>	Pan/Tilt	YES/NO	Reset individual functions to factory
		Iris/ Prism		
		Color/ CMY +Blade		
Gobo/ Gobo Rotate				
Frost				
All				
<b>Factory Settings</b>	YES	Reset all functions to factory		
	NO			
<b>Test</b>	<b>Auto Test</b>		Auto test the product	
	<b>Manual Test</b>	Pan	000 ~ 255	Individually test each function/channel
		Pan Fine		
		Tilt		
		Tilt Fine		
		P/T Speed		
		Dimmer		
		Dimmer Fine		
		Shutter		
		Virtual Shaking		
		Cyan		
		Magenta		
		Yellow		
		CTO		
		Color		
		Gobo		
		Gobo Rotate		
		Gobo Index		
		Gobo 2		
		Gobo 2 Rotate		
		Gobo 2 Index		
		Blade 1-1		
		Blade 1-1 Fine		
		Blade 1-2		
		Blade 1-2 Fine		
		Blade 2-1		
		Blade 2-1 Fine		
	Blade 2-2			
Blade 2-2 Fine				

Main Level	Programming Levels		Description	
Test	Manual Test	Blade 3-1	000 ~ 255 Individually test each function/channel	
		Blade 3-1 Fine		
		Blade 3-2		
		Blade 3-2 Fine		
		Blade 4-1		
		Blade 4-1 Fine		
		Blade 4-2		
		Blade 4-2 Fine		
		Blade Rotate		
		Blade Rota Fine		
		Focus		
		Focus Fine		
		Focus Auto		
		Zoom		
		Zoom Fine		
		Prism		
		Prism Rotate		
		Iris		
Frost				
CMY Macro				
CMY Macro Speed				
Special Function				
Information	Fixture Information	Ver V1	Current Version	
		Running Mode DMX	Current Mode	
		DMX Address		
		Temperature	Current Temperature	
		Fixture Hours	Current active hours	
		ArtNetIp	Current IP address	
		SubMask	Current subnet mask	
	MAC Address	MAC address		
	Fan Information	Base Fan 1 Speed	View speed setting	
		Base Fan 2 Speed		
		Head Fan 1 Speed		
		Head Fan 2 Speed		
	Error Information		Will appear on screen	
	Channel Information	Frequency	Hz	000 ~ 255 Status of individual channel
		Pan		
		Pan Fine		
		Tilt		
		Tilt Fine		
P/T Speed				
Dimmer				
Dimmer Fine				
Shutter				
Virtual Shaking				
Cyan				
Magenta				
Yellow				
CTO				

# QUICK REFERENCE GUIDE



EN

Main Level	Programming Levels		Description
Information	Channel Information	Color	000 ~ 255 Status of individual channel
		Gobo	
		Gobo Rotate	
		Gobo Index	
		Gobo 2	
		Gobo 2 Rotate	
		Gobo 2 Index	
		Blade 1-1	
		Blade 1-1 Fine	
		Blade 1-2	
		Blade 1-2 Fine	
		Blade 2-1	
		Blade 2-1 Fine	
		Blade 2-2	
		Blade 2-2 Fine	
		Blade 3-1	
		Blade 3-1 Fine	
		Blade 3-2	
		Blade 3-2 Fine	
		Blade 4-1	
		Blade 4-1 Fine	
		Blade 4-2	
		Blade 4-2 Fine	
		Blade Rotate	
		Blade Rota Fine	
		Blade Macro	
		Focus	
		Focus Fine	
		Focus Auto	
		Zoom	
Zoom Fine			
Prism			
Prism Rotate			
Iris			
Frost			
CMY Macro			
CMY Macro Speed			
Special Function			

## DMX Values

### 50 Ch

Channel	Function	Value	Percent/Setting
1	Pan	000 ⇄ 255	0-100%
2	Fine Pan	000 ⇄ 255	Fine control (16-bit)
3	Tilt	000 ⇄ 255	0-100%
4	Fine Tilt	000 ⇄ 255	Fine control (16-bit)
5	Pan/Tilt Speed	000 ⇄ 255	0-100%
6	Dimmer	000 ⇄ 255	0-100%
7	Fine Dimmer	000 ⇄ 255	Fine control (16-bit)



Channel	Function	Value	Percent/Setting
8	Shutter	000 ⇄ 003	Closed
		004 ⇄ 007	Open
		008 ⇄ 076	Slow to fast
		077 ⇄ 145	Pulse effect from slow to fast
		146 ⇄ 215	Random effect from slow to fast
		216 ⇄ 255	Open
9	Virtual Strobe	000 ⇄ 001	No function
		002 ⇄ 128	Shaking strobe, slow to fast
		129 ⇄ 255	Fade in/out, slow to fast
10	Cyan	000 ⇄ 255	0-100%
11	Magenta	000 ⇄ 255	0-100%
12	Yellow	000 ⇄ 255	0-100%
13	CTO	000 ⇄ 255	0-100%
14	Color Wheel	000 ⇄ 006	Open
		007 ⇄ 013	Red
		014 ⇄ 020	Orange
		021 ⇄ 027	Green
		028 ⇄ 034	Blue
		035 ⇄ 041	Magenta
		042 ⇄ 048	CTO
		049 ⇄ 059	UV
		060 ⇄ 187	Split colors
		188 ⇄ 219	Clockwise color scroll, fast to slow
		220 ⇄ 223	Stop
		224 ⇄ 255	Counter-clockwise color scroll, slow to fast
15	Gobo Wheel 1	000 ⇄ 008	Open
		009 ⇄ 017	Gobo 1 (Ring of Rings)
		018 ⇄ 026	Gobo 2 (Checker Vortex)
		027 ⇄ 035	Gobo 3 (Triangle)
		036 ⇄ 044	Gobo 4 (Star Field)
		045 ⇄ 053	Gobo 5 (Lenticular Glass)
		054 ⇄ 063	Gobo 6 (Beam Correction)
		064 ⇄ 073	Gobo 6 Shaking
		074 ⇄ 082	Gobo 5 Shaking
		083 ⇄ 091	Gobo 4 Shaking
		092 ⇄ 100	Gobo 3 Shaking
		101 ⇄ 109	Gobo 2 Shaking
		110 ⇄ 118	Gobo 1 Shaking
		119 ⇄ 127	Open
		128 ⇄ 191	Clockwise gobo scroll, slow to fast
		192 ⇄ 255	Counter-clockwise gobo scroll, slow to fast
		16	Gobo 1 Rotate
064 ⇄ 145	Clockwise rotating, fast to slow		
146 ⇄ 149	Stop		
150 ⇄ 231	Counter-clockwise rotating, slow to fast		
232 ⇄ 255	Bounce effect		
17	Gobo Wheel 1 Index Fine	000 ⇄ 255	Fine control (16-bit)
18	Gobo Wheel 2	000 ⇄ 008	Open
		009 ⇄ 017	Gobo 1 (Spiral)
		018 ⇄ 026	Gobo 2 (Dot Chiclets)
		027 ⇄ 035	Gobo 3 (Splat Breakup)
		036 ⇄ 044	Gobo 4 (Wavy Bar)
		045 ⇄ 053	Gobo 5 (Shower Glass)
		054 ⇄ 063	Gobo 6 (Lenticular Glass)
		064 ⇄ 073	Gobo 6 Shaking
		074 ⇄ 082	Gobo 5 Shaking
		083 ⇄ 091	Gobo 4 Shaking
		092 ⇄ 100	Gobo 3 Shaking
		101 ⇄ 109	Gobo 2 Shaking
		110 ⇄ 118	Gobo 1 Shaking
		119 ⇄ 127	Open
		128 ⇄ 191	Clockwise gobo scroll, slow to fast
		192 ⇄ 255	Counter-clockwise gobo scroll, slow to fast

## QUICK REFERENCE GUIDE



EN

Channel	Function	Value	Percent/Setting
19	Gobo 2 Rotate	000 ⇄ 063	Rotating gobo index
		064 ⇄ 145	Clockwise rotating, fast to slow
		146 ⇄ 149	Stop
		150 ⇄ 231	Counter-clockwise rotating, slow to fast
		232 ⇄ 255	Bounce effect
20	Gobo Wheel 2 Index Fine	000 ⇄ 255	Fine control (16-bit)
21	Blade 1a	000 ⇄ 255	0-100%
22	Blade 1a Fine	000 ⇄ 255	Fine control (16-bit)
23	Blade 1b	000 ⇄ 255	0-100%
24	Blade 1b Fine	000 ⇄ 255	Fine control (16-bit)
25	Blade 2a	000 ⇄ 255	0-100%
26	Blade 2a Fine	000 ⇄ 255	Fine control (16-bit)
27	Blade 2b	000 ⇄ 255	0-100%
28	Blade 2b Fine	000 ⇄ 255	Fine control (16-bit)
29	Blade 3a	000 ⇄ 255	0-100%
30	Blade 3a Fine	000 ⇄ 255	Fine control (16-bit)
31	Blade 3b	000 ⇄ 255	0-100%
32	Blade 3b Fine	000 ⇄ 255	Fine control (16-bit)
33	Blade 4a	000 ⇄ 255	0-100%
34	Blade 4a Fine	000 ⇄ 255	Fine control (16-bit)
35	Blade 4b	000 ⇄ 255	0-100%
36	Blade 4b Fine	000 ⇄ 255	Fine control (16-bit)
37	Frame Rotate	000 ⇄ 255	0-100%
38	Frame Fine Rotate	000 ⇄ 255	Fine control (16-bit)
39	Focus	000 ⇄ 255	0-100%
40	Fine Focus	000 ⇄ 255	Fine control (16-bit)
41	Auto Focus	000 ⇄ 010	No function
		011 ⇄ 030	0-5 m
		031 ⇄ 050	6 m
		051 ⇄ 070	7 m
		071 ⇄ 090	8 m
		091 ⇄ 110	9 m
		111 ⇄ 130	10 m
		131 ⇄ 150	12.5 m
		151 ⇄ 170	15 m
		171 ⇄ 190	17.5 m
		191 ⇄ 210	20~60 m
211 ⇄ 255	Auto-detect distance		
42	Zoom	000 ⇄ 255	Narrow-wide
43	Fine Zoom	000 ⇄ 255	Fine control (16-bit)
44	Prism	000 ⇄ 004	No function
		005 ⇄ 255	Prism Effect
45	Prism Rotate	000 ⇄ 127	Rotating position
		128 ⇄ 189	Clockwise rotating, fast to slow
		190 ⇄ 193	Stop
		194 ⇄ 255	Counter-clockwise rotating, slow to fast
46	Iris	000 ⇄ 063	Big to small
		064 ⇄ 127	Auto change, slow to fast
		128 ⇄ 191	Slow zoom out, fast zoom in (slow to fast)
		192 ⇄ 255	Slow zoom in, fast zoom out (slow to fast)
47	Frost	000 ⇄ 255	0-100%
48	CMY Macro	000 ⇄ 009	No function
		010 ⇄ 255	CMY macro
49	CMY Macro Speed	000 ⇄ 255	100%-0

Channel	Function	Value	Percent/Setting
50	Control	000 ⇄ 007	No function
		008 ⇄ 015	XY blackout
		016 ⇄ 023	C blackout
		024 ⇄ 031	G blackout
		032 ⇄ 039	XYC blackout
		040 ⇄ 047	XYG blackout
		048 ⇄ 055	XYCG blackout
		056 ⇄ 095	no function
		096 ⇄ 103	X reset
		104 ⇄ 111	Y reset
		112 ⇄ 119	Color reset
		120 ⇄ 127	Gobo & gobo rotating reset
		128 ⇄ 135	No function
		136 ⇄ 143	Prism reset
		144 ⇄ 151	Framing shutter Reset
		152 ⇄ 159	All reset
		160 ⇄ 167	Iris reset
		168 ⇄ 175	Frost reset
		176 ⇄ 183	Zoom reset
		184 ⇄ 191	CMY reset
		192 ⇄ 199	Fan low speed
		200 ⇄ 207	Fan full speed
		208 ⇄ 215	Fan auto
		216 ⇄ 220	Beam correction off
		221 ⇄ 225	Iris Fast mode
		226 ⇄ 230	Iris Smooth mode
231 ⇄ 235	XY swap on		
236 ⇄ 240	XY swap off		
241 ⇄ 245	Beam correction on (will offset the gobos 1 position in wheel #1)		
246 ⇄ 250	XY Fast mode		
251 ⇄ 255	XY Smooth mode		

33 Ch

Channel	Function	Value	Percent/Setting
1	Pan	000 ⇄ 255	0-100%
2	Fine Pan	000 ⇄ 255	Fine control (16-bit)
3	Tilt	000 ⇄ 255	0-100%
4	Fine Tilt	000 ⇄ 255	Fine control (16-bit)
5	Pan/Tilt Speed	000 ⇄ 255	0-100%
6	Dimmer	000 ⇄ 255	0-100%
7	Shutter	000 ⇄ 003	Closed
		004 ⇄ 007	Open
		008 ⇄ 076	Slow to fast
		077 ⇄ 145	Pulse effect from slow to fast
		146 ⇄ 215	Random effect from slow to fast
8	Virtual Strobe	216 ⇄ 255	Open
		000 ⇄ 001	No function
		002 ⇄ 128	Shaking strobe, slow to fast
129 ⇄ 255	Fade in/out, slow to fast		
9	Cyan	000 ⇄ 255	0-100%
10	Magenta	000 ⇄ 255	0-100%
11	Yellow	000 ⇄ 255	0-100%
12	CTO	000 ⇄ 255	0-100%
13	Color Wheel	000 ⇄ 006	Open
		007 ⇄ 013	Red
		014 ⇄ 020	Orange
		021 ⇄ 027	Green
		028 ⇄ 034	Blue
		035 ⇄ 041	Magenta
		042 ⇄ 048	CTO
		049 ⇄ 059	UV
		060 ⇄ 187	Split colors

## QUICK REFERENCE GUIDE



EN

Channel	Function	Value	Percent/Setting
13	Color Wheel	188 ⇄ 219	Clockwise color scroll, fast to slow
		220 ⇄ 223	Stop
		224 ⇄ 255	Counter-clockwise color scroll, slow to fast
14	Gobo Wheel 1	000 ⇄ 008	Open
		009 ⇄ 017	Gobo 1 (Ring of Rings)
		018 ⇄ 026	Gobo 2 (Checker Vortex)
		027 ⇄ 035	Gobo 3 (Triangle)
		036 ⇄ 044	Gobo 4 (Star Field)
		045 ⇄ 053	Gobo 5 (Lenticular Glass)
		054 ⇄ 063	Gobo 6 (Beam Correction)
		064 ⇄ 073	Gobo 6 Shaking
		074 ⇄ 082	Gobo 5 Shaking
		083 ⇄ 091	Gobo 4 Shaking
		092 ⇄ 100	Gobo 3 Shaking
		101 ⇄ 109	Gobo 2 Shaking
		110 ⇄ 118	Gobo 1 Shaking
		119 ⇄ 127	Open
		128 ⇄ 191	Clockwise gobo scroll, slow to fast
		192 ⇄ 255	Counter-clockwise gobo scroll, slow to fast
15	Gobo 1 Rotate	000 ⇄ 063	Rotating gobo index
		064 ⇄ 145	Clockwise rotating, fast to slow
		146 ⇄ 149	Stop
		150 ⇄ 231	Counter-clockwise rotating, slow to fast
		232 ⇄ 255	Bounce effect
16	Gobo Wheel 2	000 ⇄ 008	Open
		009 ⇄ 017	Gobo 1 (Spiral)
		018 ⇄ 026	Gobo 2 (Dot Chiclets)
		027 ⇄ 035	Gobo 3 (Splat Breakup)
		036 ⇄ 044	Gobo 4 (Wavy Bar)
		045 ⇄ 053	Gobo 5 (Shower Glass)
		054 ⇄ 063	Gobo 6 (Lenticular Glass)
		064 ⇄ 073	Gobo 6 Shaking
		074 ⇄ 082	Gobo 5 Shaking
		083 ⇄ 091	Gobo 4 Shaking
		092 ⇄ 100	Gobo 3 Shaking
		101 ⇄ 109	Gobo 2 Shaking
		110 ⇄ 118	Gobo 1 Shaking
		119 ⇄ 127	Open
		128 ⇄ 191	Clockwise gobo scroll, slow to fast
		192 ⇄ 255	Counter-clockwise gobo scroll, slow to fast
17	Gobo 2 Rotate	000 ⇄ 063	Rotating gobo index
		064 ⇄ 145	Clockwise rotating, fast to slow
		146 ⇄ 149	Stop
		150 ⇄ 231	Counter-clockwise rotating, slow to fast
		232 ⇄ 255	Bounce effect
18	Blade 1a	000 ⇄ 255	0-100%
19	Blade 1b	000 ⇄ 255	0-100%
20	Blade 2a	000 ⇄ 255	0-100%
21	Blade 2b	000 ⇄ 255	0-100%
22	Blade 3a	000 ⇄ 255	0-100%
23	Blade 3b	000 ⇄ 255	0-100%
24	Blade 4a	000 ⇄ 255	0-100%
25	Blade 4b	000 ⇄ 255	0-100%
26	Frame Rotate	000 ⇄ 255	0-100%
27	Focus	000 ⇄ 255	0-100%
28	Zoom	000 ⇄ 255	Narrow-wide
29	Prism	000 ⇄ 004	No function
		005 ⇄ 255	Prism Effect
30	Prism Rotate	000 ⇄ 127	Rotating position
		128 ⇄ 189	Clockwise rotating, fast to slow
		190 ⇄ 193	Stop
		194 ⇄ 255	Counter-clockwise rotating, slow to fast

Channel	Function	Value	Percent/Setting
31	Iris	000 ⇄ 063	Big to small
		064 ⇄ 127	Auto change, slow to fast
		128 ⇄ 191	Slow zoom out, fast zoom in (slow to fast)
		192 ⇄ 255	Slow zoom in, fast zoom out (slow to fast)
32	Frost	000 ⇄ 255	0-100%
33	Control	000 ⇄ 007	No function
		008 ⇄ 015	XY blackout
		016 ⇄ 023	C blackout
		024 ⇄ 031	G blackout
		032 ⇄ 039	XYC blackout
		040 ⇄ 047	XYG blackout
		048 ⇄ 055	XYCG blackout
		056 ⇄ 095	no function
		096 ⇄ 103	X reset
		104 ⇄ 111	Y reset
		112 ⇄ 119	Color reset
		120 ⇄ 127	Gobo & gobo rotating reset
		128 ⇄ 135	No function
		136 ⇄ 143	Prism reset
		144 ⇄ 151	Framing shutter Reset
		152 ⇄ 159	All reset
		160 ⇄ 167	Iris reset
		168 ⇄ 175	Frost reset
		176 ⇄ 183	Zoom reset
		184 ⇄ 191	CMY reset
		192 ⇄ 199	Fan low speed
		200 ⇄ 207	Fan full speed
		208 ⇄ 215	Fan auto
		216 ⇄ 220	Beam correction off
		221 ⇄ 225	Iris Fast mode
		226 ⇄ 230	Iris Smooth mode
		231 ⇄ 235	XY swap on
		236 ⇄ 240	XY swap off
241 ⇄ 245	Beam correction on (will offset the gobos 1 position in wheel #1)		
246 ⇄ 250	XY Fast mode		
251 ⇄ 255	XY Smooth mode		

## Acerca de Esta Guía

La Guía de Referencia Rápida (GRR) del Maverick MK2 Profile contiene información básica sobre el producto, como montaje, opciones de menú y valores DMX. Descargue el Manual de Usuario de [www.chauvetprofessional.com](http://www.chauvetprofessional.com) para información más detallada.

### Exención de Responsabilidad

La información y especificaciones contenidas en esta GRR están sujetas a cambio sin previo aviso.

### GARANTÍA LIMITADA

**PARA VER EL REGISTRO DE GARANTÍA Y LOS TÉRMINOS Y CONDICIONES COMPLETOS, VISITE NUESTRO SITIO WEB.**

**Para clientes en los Estados Unidos y México:** [www.chauvetlighting.com/warranty-registration](http://www.chauvetlighting.com/warranty-registration)

**Para clientes en Reino Unido, República de Irlanda, Bélgica, Países Bajos, Luxemburgo, Francia y Alemania:** [www.chauvetlighting.eu/warranty-registration/](http://www.chauvetlighting.eu/warranty-registration/)

Chauvet garantiza que este producto estará libre de defectos de material y mano de obra en condiciones de uso normales, durante el periodo especificado, sujeto siempre a las exclusiones y limitaciones establecidas en la garantía limitada completa de nuestro sitio web. Esta garantía se concede únicamente al comprador original del producto y no es transferible. Para ejercer los derechos que otorga esta garantía, usted debe proporcionar una prueba de compra en forma de un recibo de compra original, expedido por un distribuidor autorizado, donde figure el nombre del producto y la fecha de compra. **NO EXISTEN OTRAS GARANTÍAS EXPRESAS NI IMPLÍCITAS.** Esta garantía le otorga derechos legales específicos. Es posible que a usted le asistan otros derechos, que variarán dependiendo del estado o del país. Esta garantía solamente es válida en los Estados Unidos, Reino Unido, República de Irlanda, Bélgica, Países Bajos, Luxemburgo, Francia, Alemania y México. Para conocer los términos de garantía en otros países, consulte a su distribuidor local.

### Notas de Seguridad

- NO abra este producto. No contiene piezas reparables por el usuario.
- Para evitar un desgaste innecesario y alargar su vida útil, desconecte complemente el producto de la alimentación, mediante el interruptor o desenchufándolo, durante los periodos en los que no se use.
- NO mire a la fuente de luz cuando el producto esté encendido.
- CUIDADO: La carcasa de este producto está caliente cuando las luces están en funcionamiento.
- Monte este producto en una ubicación con ventilación adecuada, al menos a 20" (50 cm) de superficies adyacentes.
- NO deje ningún material inflamable a menos de 50 cm de este producto mientras esté funcionando o conectado a la alimentación.
- Cuidado: cuando transfiera el producto desde ambientes con temperatura extrema (p. ej., del remolque frío de un camión a una sala de baile con calor y humedad), puede formarse condensación en la electrónica interna del producto. Para evitar que se produzca una avería, deje que el producto se aclimate completamente al ambiente antes de conectar la alimentación.
- USE un cable de seguridad cuando monte este producto en lo alto.
- NO ponga en funcionamiento este producto en el exterior o en cualquier ubicación en la que el polvo, calor excesivo, agua o humedad puedan afectarlo. (IP20)
- NO ponga en funcionamiento este producto si sospecha que la carcasa, lentes o cables están dañados.
- NO conecte este producto a un atenuador o reostato.
- Conecte este producto SOLO a un circuito con toma de tierra y protegido.
- Use SOLAMENTE los soportes de colgar/montar para mover este producto.
- En caso de un problema grave de funcionamiento, deje de usarlo inmediatamente.
- La máxima temperatura ambiente es de 113 °F (45 °C). No haga funcionar este producto a temperaturas más altas.

### Contacto

Fuera de EE. UU., Reino Unido, Irlanda, Benelux, Francia, Alemania o México, póngase en contacto con su distribuidor para solicitar asistencia o devolver el producto. Visite [Contact Us](#) para información de contacto.

### Qué va Incluido

- Maverick MK2 Profile
- Seetronic Powerkon IP65 cable de alimentación
- 2 soportes Omega con material de montaje
- Guía de Referencia Rápida

## Corriente Alterna

Este producto tiene una fuente de alimentación con detección automática que puede funcionar con un rango de tensión de entrada de 100 a 240 VCA, 50/60 Hz.

### Enchufe CA

Conexión	Cable (EE.UU.)	Cable (Europa)	Color del tornillo
CA Cargado	Negro	Marrón	Amarillo/Latón
CA Neutro	Blanco	Azul	Plata
CA Tierra	Verde/Amarillo	Verde/Amarillo	Verde



**Para evitar un desgaste innecesario y alargar su vida útil, desconecte completamente el producto de la alimentación, mediante el interruptor o desenchufándolo, durante los periodos en los que no se use.**

### Sustitución del Fusible

1. Desconecte este producto de la alimentación.
2. Utilizando un destornillador plano, desatornille la tapa del portafusibles de la carcasa.
3. Quite el fusible fundido del portafusibles y sustitúyalo con uno nuevo del mismo tipo y categoría.
4. Vuelva a atornillar la tapa del portafusibles en su sitio y conecte de nuevo la alimentación.

### Enlace DMX

El Maverick MK2 Profile funcionará con un controlador DMX usando una conexión serie DMX normal. Hay un manual DMX disponible en [www.chauvetprofessional.com](http://www.chauvetprofessional.com).

### Conexión DMX

El Maverick MK2 Profile usa una conexión de datos DMX normal para sus personalidades: **50CH** y **31CH**. Vea el Manual de Usuario para conectar y configurar para funcionamiento DMX.

### Conexiones de señal

Puede enlazar el Maverick MK2 Profile a un controlador o software controlador usando una conexión DMX, una conexión Ethernet o ambas. Si está usando otros productos compatibles con Art-Net™, sACN o Kling-Netcon, el Maverick MK2 Profile puede controlar cada uno individualmente en una sola red. Consulte el Manual de usuario para obtener información sobre cómo conectar y configurar el producto para estas señales.

### Conexión Art-Net™

Art-Net™ es un protocolo Ethernet que utiliza TCP/IP para transferir gran cantidad de datos DMX512 usando una conexión etherCON RJ45 sobre una red de gran tamaño. Hay disponible un documento sobre el protocolo Art-Net™ desde [www.chauvetprofessional.com](http://www.chauvetprofessional.com). Chauvet Professional recomienda la utilización de modo Unicast para mejores resultados Art-Net™ diseñado y copyright por Artistic Licence Holdings Ltd

### Conexión sACN

También conocido como ANSI E1.31, el streaming ACN es un protocolo Ethernet que usa las capas y formato de *Architecture for Control Networks* (arquitectura para redes de control) para transportar datos DMX512 sobre IP o cualquier otra red compatible con ACN. El mantenimiento de ACN corre a cargo de la Professional Lighting and Sound Association (Asociación de Sonido e Iluminación Profesional, PLASA).

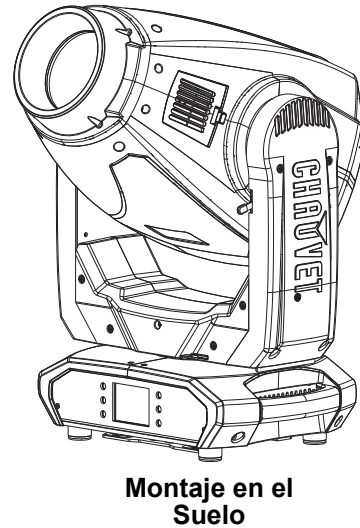
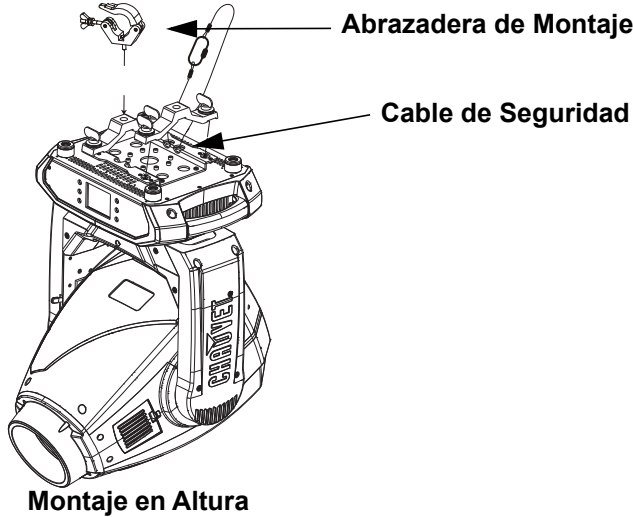
### RDM (gestión remota del dispositivo)

Remote Device Management (gestión remota del dispositivo) o RDM, es un estándar que permite a los dispositivos con capacidad DMX una comunicación bidireccional por un cableado DMX existente. El Maverick MK2 Profile admite protocolo RDM, que posibilita información para supervisar cambiar las opciones del mapa de menú. Descargue el manual de usuario de [www.chauvetprofessional.com](http://www.chauvetprofessional.com) para una información más detallada.

### Montaje

Antes de montar este producto, lea las [Notas de Seguridad](#). Asegúrese de que las abrazaderas de montaje son capaces de soportar el peso del producto. Para nuestra línea Chauvet de abrazaderas de montaje, visite <http://trusst.com/productcategory/truss-clamps/>

### Diagrama de Montaje del Producto

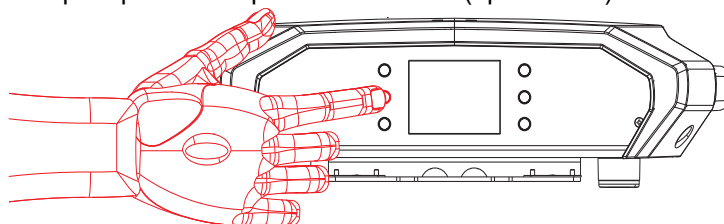


### Descripción del Panel de Control

Botón	Función
	Navega hacia arriba por la lista de menú o aumenta el valor numérico cuando está en una función
	Sale del menú o función actual
	Navega hacia abajo por la lista de menú o disminuye el valor numérico cuando está en una función
	Navega hacia la izquierda por la lista de menú
	Habilita el menú actualmente en pantalla o configura el valor seleccionado actualmente dentro de la función seleccionada
	Navega hacia la derecha por la lista de menú

### Pantalla alimentada con batería

Pulse y mantenga pulsado hasta que aparezca la pantalla de menú (aprox. 15 s).





**Mapa de Menú**

Nivel Principal	Niveles de Programación		Descripción
<b>Address</b>	<b>000–512</b>		Configuración de red
<b>Network Setup</b>	<b>IP Mode</b>	<b>Manual</b>	Selección del modo IP
		<b>DHCP</b>	
		<b>Static</b>	
	<b>Universe</b>	<b>000–255</b>	Configurar el universo
<b>ArtNetIp</b>	<b>002.xxx.xxx.xxx</b>	Configuración de IP	
<b>SubMask</b>	<b>255.xxx.xxx.xxx</b>	Máscara de subred	
<b>Personality</b>	<b>DMX 33CH</b>	<b>YES</b>	Escoger 33 canales de DMX
		<b>NO</b>	
	<b>DMX 50CH</b>	<b>YES</b>	Escoger 50 canales de DMX
		<b>NO</b>	
<b>Settings</b>	<b>Control Mode</b>	<b>DMX</b>	Selección de señal
		<b>WDMX</b>	
		<b>sACN</b>	
		<b>ArtNet</b>	
	<b>Pan Reverse</b>	<b>YES</b>	Invertir el movimiento panorámico
		<b>NO</b>	
	<b>Tilt Reverse</b>	<b>YES</b>	Invertir la inclinación
		<b>NO</b>	
	<b>Screen Reverse</b>	<b>NO</b>	Invertir la pantalla manual o automáticamente
		<b>YES</b>	
		<b>AUTO</b>	
	<b>Pan Angle</b>	<b>540</b>	Cambiar el ángulo panorámico
		<b>360</b>	
		<b>180</b>	
	<b>Tilt Angle</b>	<b>270</b>	Cambiar el ángulo de inclinación
		<b>180</b>	
		<b>90</b>	
	<b>BL. O. P/T Move</b>	<b>YES</b>	Habilitar/deshabilitar el blackout XY
		<b>NO</b>	
	<b>BL. O. Color Move</b>	<b>YES</b>	Habilitar/deshabilitar el blackout de color
		<b>NO</b>	
	<b>BL. O. Gobo Move</b>	<b>YES</b>	Habilitar/deshabilitar el blackout de gobo
		<b>NO</b>	
	<b>Calibration</b>	<b>YES</b>	Encender calibración
		<b>NO</b>	
	<b>Touchscreen Lock</b>	<b>YES</b>	Bloquear la pantalla
		<b>NO</b>	
	<b>Lock Screen</b>	<b>YES</b>	Bloqueo de los botones y pantalla táctil PASSCODE: 0920
<b>NO</b>			
<b>Swap X/Y</b>	<b>YES</b>	Intercambiar movimiento panorámico y de inclinación	
	<b>NO</b>		
<b>X/Y Mode</b>	<b>Fast</b>	Cambiar la velocidad del	
	<b>Slow</b>		
<b>WDMX Reset</b>	<b>YES</b>	Reiniciar DMX inalámbrico	
	<b>NO</b>		
<b>Backlight Timer</b>	<b>30S</b>	Configura la retroiluminación para que se apague transcurrido cierto tiempo	
	<b>1M</b>		
	<b>5M</b>		
	<b>ON</b>		

Nivel Principal	Niveles de Programación		Descripción	
Settings	Loss of Data	Hold	Configuración de pérdida de datos	
		Close		
	Fans	Auto	Cambiar el modo de velocidad del ventilador	
		Full		
		ECO		
	Theatrical Dimming	YES	Atenuación actualizada	
		NO	Atenuación heredada que coincidirá con el Maverick MK2 Profiles más antiguo	
	Dimmer Curve	Linear	Configurar la curva del atenuador	
		Square		
		I Square		
		Scurve		
	Dimmer Speed	Smooth	Cambiar la velocidad del atenuador	
		Fast		
	PWM Option	600	Selecciona la frecuencia de emisión PWM	
		1200		
		2000		
4000				
6000				
Smart Zoom	Off	Limita el rango de zoom para un enfoque óptimo		
	On			
Beam Correction	Off	Crea un campo plano cuando se usan obturadores. Esto corregirá también los gobos en la posición 1 de la rueda n.# 1		
	On			
Preset Select	PRESET A	Opciones de menú preconfiguradas grabadas		
	PRESET B			
	PRESET C			
Preset Sync	NO	Permite transferir las opciones de menú preconfiguradas grabadas a otros Maverick MK2 Profiles de la cadena DMX		
	YES			
Reset Function	Pan/Tilt	YES/NO	Restablecer las funciones individuales a los valores de fábrica	
	Iris/Prism			
	Color/CMY +Blade			
	Gobo/Gobo Rotate			
	Frost			
	All			
Factory Settings	YES	Restablecer todas las funciones a los valores de fábrica		
	NO			
Test	Auto Test		Hacer una prueba automática del producto	
	Manual Test	Pan	000 ~ 255	Comprobar individualmente cada función/canal
		Pan Fine		
		Tilt		
		Tilt Fine		
		P/T Speed		

Nivel Principal	Niveles de Programación		Descripción		
Test	Manual Test	Dimmer Dimmer Fine Shutter Virtual Shaking Cyan Magenta Yellow CTO Color Gobo Gobo Rotate Gobo Index Gobo 2 Gobo 2 Rotate Gobo 2 Index Blade 1-1 Blade 1-1 Fine Blade 1-2 Blade 1-2 Fine Blade 2-1 Blade 2-1 Fine Blade 2-2 Blade 2-2 Fine Blade 3-1 Blade 3-1 Fine Blade 3-2 Blade 3-2 Fine Blade 4-1 Blade 4-1 Fine Blade 4-2 Blade 4-2 Fine Blade Rotate Blade Rota Fine Focus Focus Fine Focus Auto Zoom Zoom Fine Prism Prism Rotate Iris Frost CMY Macro CMY Macro Speed Special Function	000 ~ 255  Comprobar individualmente cada función/canal		
		Information	Fixture Information	Ver V1	Versión actual
				Running Mode DMX	Modo actual
				DMX Address	
				Temperature	Temperatura actual
				Fixture Hours	Horas activas actuales
				ArtNetIp SubMask	Direccion IP actual Máscara de subred actual

Nivel Principal	Niveles de Programación		Descripción	
Information	Fixture Information	MAC Address	Dirección MAC	
		Base Fan 1 Speed	Ver configuracion de velocidad	
		Base Fan 2 Speed		
		Head Fan 1 Speed		
		Head Fan 2 Speed		
	Error Information	Aparecerá en la pantalla		
	Channel Information	Frequency	Hz	Estado del canal individual
		Pan	000 ~ 255	
		Pan Fine		
		Tilt		
		Tilt Fine		
		P/T Speed		
		Dimmer		
		Dimmer Fine		
		Shutter		
		Virtual Shaking		
		Cyan		
		Magenta		
		Yellow		
		CTO		
		Color		
		Gobo		
		Gobo Rotate		
		Gobo Index		
		Gobo 2		
		Gobo 2 Rotate		
		Gobo 2 Index		
		Blade 1-1		
		Blade 1-1 Fine		
		Blade 1-2		
		Blade 1-2 Fine		
		Blade 2-1		
		Blade 2-1 Fine		
Blade 2-2				
Blade 2-2 Fine				
Blade 3-1				
Blade 3-1 Fine				
Blade 3-2				
Blade 3-2 Fine				
Blade 4-1				
Blade 4-1 Fine				
Blade 4-2				
Blade 4-2 Fine				
Blade Rotate				
Blade Rota Fine				
Blade Macro				
Focus				
Focus Fine				
Focus Auto				
Zoom				
Zoom Fine				

Nivel Principal	Niveles de Programación		Descripción
Information	Channel Information	Prism	000 ~ 255 Estado del canal individual
		Prism Rotate	
		Iris	
		Frost	
		CMY Macro	
		CMY Macro Speed	
		Special Function	

**Valores DMX**
**50 Ch**

Canal	Función	Valor	Porcentaje/Configuración
1	Movimiento panorámico	000 ⇔ 255	0-100%
2	Movimiento panorámico fino	000 ⇔ 255	0-100%
3	Inclinación	000 ⇔ 255	0-100%
4	Inclinación fina	000 ⇔ 255	0-100%
5	Velocidad movimiento panorámico/ Inclinación	000 ⇔ 255	0-100%
6	Atenuador	000 ⇔ 255	0-100%
7	Atenuador fino	000 ⇔ 255	0-100%
8	Obturador	000 ⇔ 003	Cerrado
		004 ⇔ 007	Abierto
		008 ⇔ 076	Lento a rápido
		077 ⇔ 145	Efecto pulso de lento a rápido
		146 ⇔ 215	Efecto aleatorio de lento a rápido
		216 ⇔ 255	Abierto
9	Obturador virtual	000 ⇔ 001	Sin función
		002 ⇔ 128	Estroboscopio vibratorio, lento a rápido
		129 ⇔ 255	Hacer aparecer gradualmente / desaparecer, lento a rápido
10	Cian	000 ⇔ 255	0-100%
11	Magenta	000 ⇔ 255	0-100%
12	Amarillo	000 ⇔ 255	0-100%
13	CTO	000 ⇔ 255	0-100%
14	Rueda de color	000 ⇔ 006	Abierto
		007 ⇔ 013	Rojo
		014 ⇔ 020	Naranja
		021 ⇔ 027	Verde
		028 ⇔ 034	Azul
		035 ⇔ 041	Magenta
		042 ⇔ 048	CTO
		049 ⇔ 059	UV
		060 ⇔ 187	Colores divididos
		188 ⇔ 219	Desplazamiento de color en sentido horario, rapido a lento
		220 ⇔ 223	Parada
		224 ⇔ 255	Desplazamiento de color en sentido antihorario, lento a rapido

# GUÍA DE REFERENCIA RÁPIDA



ES

Canal	Función	Valor	Porcentaje/Configuración
15	Rueda de gobo 1	000 ⇄ 008	Abierto
		009 ⇄ 017	Gobo 1 (Circuits)
		018 ⇄ 026	Gobo 2 (Ring of Rings)
		027 ⇄ 035	Gobo 3 (Checker Vortex)
		036 ⇄ 044	Gobo 4 (Triangle)
		045 ⇄ 053	Gobo 5 (Star Field)
		054 ⇄ 063	Gobo 6 (Lenticular Glass)
		064 ⇄ 073	Gobo 6 vibrando
		074 ⇄ 082	Gobo 5 vibrando
		083 ⇄ 091	Gobo 4 vibrando
		092 ⇄ 100	Gobo 3 vibrando
		101 ⇄ 109	Gobo 2 vibrando
		110 ⇄ 118	Gobo 1 vibrando
		119 ⇄ 127	Abierto
128 ⇄ 191	Desplazamiento de gobo en sentido horario, rapido a lento		
192 ⇄ 255	Desplazamiento de gobo en sentido antihorario, lento a rapido		
16	Gobo giratorio 1	000 ⇄ 063	Índice de gobo giratorio
		064 ⇄ 145	Giro en el sentido horario, lento a rápido
		146 ⇄ 149	Parada
		150 ⇄ 231	Giro en el sentido anti-horario, lento a rápido
		232 ⇄ 255	Efecto rebote
17	Rueda de gobo 1 Índice de Incremento	000 ⇄ 255	0-100%
18	Rueda de gobo 2	000 ⇄ 008	Abierto
		009 ⇄ 017	Gobo 1 (Spiral)
		018 ⇄ 026	Gobo 2 (Dot Chiclets)
		027 ⇄ 035	Gobo 3 (Splat Breakup)
		036 ⇄ 044	Gobo 4 (Wavy Bar)
		045 ⇄ 053	Gobo 5 (Shower Glass)
		054 ⇄ 063	Gobo 6 (Lenticular Glass)
		064 ⇄ 073	Gobo 6 vibrando
		074 ⇄ 082	Gobo 5 vibrando
		083 ⇄ 091	Gobo 4 vibrando
		092 ⇄ 100	Gobo 3 vibrando
		101 ⇄ 109	Gobo 2 vibrando
		110 ⇄ 118	Gobo 1 vibrando
		119 ⇄ 127	Abierto
128 ⇄ 191	Desplazamiento de gobo en sentido horario, lento a rápido		
192 ⇄ 255	Desplazamiento de gobo en sentido antihorario, lento a rápido		
19	Gobo giratorio 2	000 ⇄ 063	Índice de gobo giratorio
		064 ⇄ 145	Giro en el sentido horario, lento a rápido
		146 ⇄ 149	Parada
		150 ⇄ 231	Giro en el sentido anti-horario, lento a rápido
		232 ⇄ 255	Efecto rebote
20	Rueda de gobo 2 Índice de Incremento	000 ⇄ 255	0-100%
21	Cuchilla 1a	000 ⇄ 255	0-100%
22	Cuchilla 1a fino	000 ⇄ 255	0-100%
23	Cuchilla 1b	000 ⇄ 255	0-100%
24	Cuchilla 1b fino	000 ⇄ 255	0-100%
25	Cuchilla 2a	000 ⇄ 255	0-100%
26	Cuchilla 2a fino	000 ⇄ 255	0-100%
27	Cuchilla 2b	000 ⇄ 255	0-100%
28	Cuchilla 2b fino	000 ⇄ 255	0-100%
29	Cuchilla 3a	000 ⇄ 255	0-100%
30	Cuchilla 3a fino	000 ⇄ 255	0-100%
31	Cuchilla 3b	000 ⇄ 255	0-100%
32	Cuchilla 3b fino	000 ⇄ 255	0-100%

Canal	Función	Valor	Porcentaje/Configuración
33	Cuchilla 4a	000 ⇄ 255	0-100%
34	Cuchilla 4a fino	000 ⇄ 255	0-100%
35	Cuchilla 4b	000 ⇄ 255	0-100%
36	Cuchilla 4b fino	000 ⇄ 255	0-100%
37	Marco Rueda	000 ⇄ 255	0-100%
38	Marco Rueda Fino	000 ⇄ 255	0-100%
39	Focus	000 ⇄ 255	0-100%
40	Foco Fino	000 ⇄ 255	0-100%
41	Autofoco	000 ⇄ 010	Sin función
		011 ⇄ 030	0-5 m
		031 ⇄ 050	6 m
		051 ⇄ 070	7 m
		071 ⇄ 090	8 m
		091 ⇄ 110	9 m
		111 ⇄ 130	10 m
		131 ⇄ 150	12.5 m
		151 ⇄ 170	15 m
		171 ⇄ 190	17.5 m
191 ⇄ 210	20~60 m		
211 ⇄ 255	Detectar automáticamente la distancia		
42	Zoom	000 ⇄ 255	Ancho a estrecho
43	Zoom fino	000 ⇄ 255	0-100%
44	Prisma	000 ⇄ 004	Sin función
		005 ⇄ 255	Efecto de prisma
45	Girar prisma	000 ⇄ 127	Posicion de giro
		128 ⇄ 189	Giro en el sentido horario, lento a rápido
		190 ⇄ 193	Parada
		194 ⇄ 255	Giro en sentido antihorario, rápido a lento
46	Iris	000 ⇄ 063	Grande a pequeño
		064 ⇄ 127	Cambio automático (lento a rápido) Disminuir zoom lento, aumentar zoom rápido (lento a rápido)
		128 ⇄ 191	Aumentar zoom lento, disminuir zoom rápido (lento a rápido)
		192 ⇄ 255	
47	Difusor	000 ⇄ 255	0-100%
48	Macro CMY	000 ⇄ 009	Sin función
		010 ⇄ 255	CMY macro
49	Velocidad de macro CMY	000 ⇄ 255	100%-0
50	Control	000 ⇄ 007	Sin función
		008 ⇄ 015	Blackout XY
		016 ⇄ 023	Blackout C
		024 ⇄ 031	Blackout G
		032 ⇄ 039	Blackout XYC
		040 ⇄ 047	Blackout XYG
		048 ⇄ 055	Blackout XYCG
		056 ⇄ 095	Sin función
		096 ⇄ 103	Restablecer X
		104 ⇄ 111	Restablecer Y
		112 ⇄ 119	Restablecer color
		120 ⇄ 127	Restablecer gobo y gobo giratorio
		128 ⇄ 135	Sin función
		136 ⇄ 143	Restablecer prisma
		144 ⇄ 151	Restablecer marco obturador
		152 ⇄ 159	Restablecer
		160 ⇄ 167	Restablecer iris
		168 ⇄ 175	Restablecer difusor
		176 ⇄ 183	Restablecer zoom
		184 ⇄ 191	Restablecer CMY
192 ⇄ 199	Velocidad de ventilador lenta		

ES

Canal	Función	Valor	Porcentaje/Configuración
50	Control	200 ⇄ 207	Velocidad de ventilador máxima
		208 ⇄ 215	Ventilador automático
		216 ⇄ 220	Corrección de haz apagado
		221 ⇄ 225	Modo iris rápido
		226 ⇄ 230	Modo iris suave
		231 ⇄ 235	Intercambio XY activado
		236 ⇄ 240	Intercambio XY desactivado
		241 ⇄ 245	Corrección del haz activa (corregirá la posición del gobo 1 en la rueda n.# 1)
		246 ⇄ 250	XY Modo rápido
		251 ⇄ 255	XY Modo suave

30 Ch

Canal	Función	Valor	Porcentaje/Configuración
1	Movimiento panorámico	000 ⇄ 255	0-100%
2	Movimiento panorámico fino	000 ⇄ 255	0-100%
3	Inclinación	000 ⇄ 255	0-100%
4	Inclinación fina	000 ⇄ 255	0-100%
5	Velocidad movimiento panorámico/ Inclinación	000 ⇄ 255	0-100%
6	Atenuador	000 ⇄ 255	0-100%
7	Obturador	000 ⇄ 003	Cerrado
		004 ⇄ 007	Abierto
		008 ⇄ 076	Lento a rápido
		077 ⇄ 145	Efecto pulso de lento a rápido
		146 ⇄ 215	Efecto aleatorio de lento a rápido
		216 ⇄ 255	Abierto
8	Obturador virtual	000 ⇄ 001	Sin función
		002 ⇄ 128	Estroscopio vibratorio, lento a rápido
		129 ⇄ 255	Hacer aparecer gradualmente / desaparecer, lento a rápido
9	Cian	000 ⇄ 255	0-100%
10	Magenta	000 ⇄ 255	0-100%
11	Amarillo	000 ⇄ 255	0-100%
12	CTO	000 ⇄ 255	0-100%
13	Rueda de color	000 ⇄ 006	Abierto
		007 ⇄ 013	Rojo
		014 ⇄ 020	Naranja
		021 ⇄ 027	Verde
		028 ⇄ 034	Azul
		035 ⇄ 041	Magenta
		042 ⇄ 048	CTO
		049 ⇄ 059	UV
		060 ⇄ 187	Colores divididos
		188 ⇄ 219	Desplazamiento de color en sentido horario, rápido a lento
		220 ⇄ 223	Parada
		224 ⇄ 255	Desplazamiento de color en sentido antihorario, lento a rápido



Canal	Función	Valor	Porcentaje/Configuración
14	Rueda de gobo 1	000 ⇄ 008	Abierto
		009 ⇄ 017	Gobo 1 (Circuits)
		018 ⇄ 026	Gobo 2 (Ring of Rings)
		027 ⇄ 035	Gobo 3 (Checker Vortex)
		036 ⇄ 044	Gobo 4 (Triangle)
		045 ⇄ 053	Gobo 5 (Star Field)
		054 ⇄ 063	Gobo 6 (Lenticular Glass)
		064 ⇄ 073	Gobo 6 vibrando
		074 ⇄ 082	Gobo 5 vibrando
		083 ⇄ 091	Gobo 4 vibrando
		092 ⇄ 100	Gobo 3 vibrando
		101 ⇄ 109	Gobo 2 vibrando
		110 ⇄ 118	Gobo 1 vibrando
		119 ⇄ 127	Abierto
128 ⇄ 191	Desplazamiento de gobo en sentido horario, rapido a lento		
	192 ⇄ 255	Desplazamiento de gobo en sentido antihorario, lento a rapido	
15	Gobo giratorio 1	000 ⇄ 063	Índice de gobo giratorio
		064 ⇄ 145	Giro en el sentido horario, lento a rápido
		146 ⇄ 149	Parada
		150 ⇄ 231	Giro en el sentido anti-horario, lento a rápido
		232 ⇄ 255	Efecto rebote
16	Rueda de gobo 2	000 ⇄ 008	Abierto
		009 ⇄ 017	Gobo 1 (Spiral)
		018 ⇄ 026	Gobo 2 (Dot Chiclets)
		027 ⇄ 035	Gobo 3 (Splat Breakup)
		036 ⇄ 044	Gobo 4 (Wavy Bar)
		045 ⇄ 053	Gobo 5 (Shower Glass)
		054 ⇄ 063	Gobo 6 (Lenticular Glass)
		064 ⇄ 073	Gobo 6 vibrando
		074 ⇄ 082	Gobo 5 vibrando
		083 ⇄ 091	Gobo 4 vibrando
		092 ⇄ 100	Gobo 3 vibrando
		101 ⇄ 109	Gobo 2 vibrando
		110 ⇄ 118	Gobo 1 vibrando
		119 ⇄ 127	Abierto
128 ⇄ 191	Desplazamiento de gobo en sentido horario, lento a rápido		
	192 ⇄ 255	Desplazamiento de gobo en sentido antihorario, lento a rápido	
17	Gobo giratorio 2	000 ⇄ 063	Índice de gobo giratorio
		064 ⇄ 145	Giro en el sentido horario, lento a rápido
		146 ⇄ 149	Parada
		150 ⇄ 231	Giro en el sentido anti-horario, lento a rápido
		232 ⇄ 255	Efecto rebote
18	Cuchilla 1a	000 ⇄ 255	0-100%
19	Cuchilla 1b	000 ⇄ 255	0-100%
20	Cuchilla 2a	000 ⇄ 255	0-100%
21	Cuchilla 2b	000 ⇄ 255	0-100%
22	Cuchilla 3a	000 ⇄ 255	0-100%
23	Cuchilla 3b	000 ⇄ 255	0-100%
24	Cuchilla 4a	000 ⇄ 255	0-100%
25	Cuchilla 4b	000 ⇄ 255	0-100%
26	Marco Rueda	000 ⇄ 255	0-100%
27	Foco	000 ⇄ 255	0-100%
28	Zoom	000 ⇄ 255	Ancho a estrecho
29	Prisma	000 ⇄ 004	Sin función
		005 ⇄ 255	Efecto de prisma
30	Girar prisma	000 ⇄ 127	Posicion de giro
		128 ⇄ 189	Giro en el sentido horario, lento a rápido
		190 ⇄ 193	Parada
		194 ⇄ 255	Giro en sentido antihorario, rápido a lento

Canal	Función	Valor	Porcentaje/Configuración
31	Iris	000 ⇔ 063	Grande a pequeño
		064 ⇔ 127	Cambio automático (lento a rápido)
		128 ⇔ 191	Disminuir zoom lento, aumentar zoom rápido (lento a rápido)
		192 ⇔ 255	Aumentar zoom lento, disminuir zoom rápido (lento a rápido)
32	Frost	000 ⇔ 255	0-100%
33	Control	000 ⇔ 007	Sin función
		008 ⇔ 015	Blackout XY
		016 ⇔ 023	Blackout C
		024 ⇔ 031	Blackout G
		032 ⇔ 039	Blackout XYC
		040 ⇔ 047	Blackout XYG
		048 ⇔ 055	Blackout XYCG
		056 ⇔ 095	Sin función
		096 ⇔ 103	Restablecer X
		104 ⇔ 111	Restablecer Y
		112 ⇔ 119	Restablecer color
		120 ⇔ 127	Restablecer gobo y gobo giratorio
		128 ⇔ 135	Sin función
		136 ⇔ 143	Restablecer prisma
		144 ⇔ 151	Restablecer marco obturador
		152 ⇔ 159	Restablecer
		160 ⇔ 167	Restablecer iris
		168 ⇔ 175	Restablecer difusor
		176 ⇔ 183	Restablecer zoom
		184 ⇔ 191	Restablecer CMY
		192 ⇔ 199	Velocidad de ventilador lenta
		200 ⇔ 207	Velocidad de ventilador máxima
		208 ⇔ 215	Ventilador automático
		216 ⇔ 220	Corrección de haz apagado
		221 ⇔ 225	Modo iris rapido
		226 ⇔ 230	Modo iris suave
		231 ⇔ 235	Intercambio XY activado
236 ⇔ 240	Intercambio XY desactivado		
241 ⇔ 245	Corrección del haz activa (corregirá la posición del gobo 1 en la rueda n.# 1)		
246 ⇔ 250	XY Modo rápido		
251 ⇔ 255	XY Modo suave		

## À Propos de ce Manuel

Le Manuel de Référence du Maverick MK2 Profile (MR) reprend des informations de base sur cet appareil notamment en matière de connexions, montage, options de menu et valeurs DMX. Télécharger le Manuel d'Utilisation sur [www.chauvetprofessional.com](http://www.chauvetprofessional.com) pour de plus amples informations.

### Clause de Non-Responsabilité

Les informations et caractéristiques contenues dans ce manuel sont sujettes à changement sans préavis.

### GARANTIE LIMITÉE

**VEUILLEZ VISITER NOTRE SITE INTERNET POUR CONSULTER LES MODALITÉS D'ENREGISTREMENT DE LA GARANTIE ET LES CONDITIONS GÉNÉRALES COMPLÈTES.**

**Pour les clients aux États-Unis et au Mexique:** [www.chauvetlighting.com/warranty-registration](http://www.chauvetlighting.com/warranty-registration)

**Pour les clients du Royaume-Uni, de la République d'Irlande, de la Belgique, des Pays-Bas, du Luxembourg, de la France et de l'Allemagne:** [www.chauvetlighting.eu/warranty-registration/](http://www.chauvetlighting.eu/warranty-registration/)

Chauvet garantit que cet appareil est exempt de défauts de matériaux et de fabrication dans des conditions normales d'utilisation, pendant la période spécifiée dans la garantie limitée complète consultable sur notre site Internet et sous réserve des exclusions et limitations qui y sont énoncées. Cette garantie ne s'applique qu'à l'acheteur initial du produit et n'est pas transférable. Pour exercer les droits prévus par cette garantie, vous devez fournir une preuve d'achat sous la forme d'un reçu de vente original d'un revendeur autorisé qui indique le nom du produit et la date d'achat. IL N'EXISTE AUCUNE AUTRE GARANTIE EXPRESSE OU IMPLICITE. Cette garantie vous confère des droits légaux spécifiques. Vous pouvez également bénéficier d'autres droits qui varient selon les états et les pays. Cette garantie n'est valable qu'aux États-Unis, au Royaume-Uni, en République d'Irlande, en Belgique, aux Pays-Bas, au Luxembourg, en France, en Allemagne et au Mexique. Pour connaître les conditions de garantie dans d'autres pays, veuillez consulter votre revendeur local.

### Consignes de Sécurité

- N'ouvrez PAS cet appareil. Il ne contient aucun composant susceptible d'être réparé par l'utilisateur.
- Ne regardez PAS la source lumineuse lorsque le produit fonctionne.
- Durant les périodes de non-utilisation, pour éviter toute usure inutile et pour prolonger la durée de vie, déconnectez entièrement l'appareil en le débranchant de l'alimentation électrique ou en coupant le disjoncteur.
- ATTENTION: Lorsque l'appareil est transféré d'un environnement à température extrême à un autre (par exemple d'un camion froid vers une salle de bal chaude et humide), de la condensation peut se former sur les composants électriques internes. Pour éviter de causer des dommages, laissez l'appareil s'acclimater entièrement au milieu environnant avant de le mettre sous tension.
- ATTENTION : le boîtier de ce produit peut s'avérer brûlant lors du fonctionnement.
- Montez toujours ce produit dans un endroit bien ventilé, à au moins 50 cm (20 pouces) des surfaces adjacentes.
- Ne laissez AUCUNE source inflammable dans un rayon de 50 cm du produit lorsque celui-ci fonctionne.
- Utilisez TOUJOURS un câble de sécurité lorsque vous montez ce produit en hauteur.
- N'utilisez PAS cet appareil en extérieur ou tout autre endroit où de la poussière, une chaleur excessive, de l'eau ou de l'humidité pourrait affecter le fonctionnement. (IP20)
- N'utilisez PAS cet appareil si le boîtier, les lentilles ou les câbles vous semblent endommagés.
- Ne connectez ce produit NI à un gradateur NI à un rhéostat.
- Connectez UNIQUEMENT cet appareil à un circuit protégé et relié à la terre.
- N'utilisez QUE les lyres de suspension ou les poignées pour transporter cet appareil. Ne transportez jamais cet appareil par sa lyre asservie.
- En cas de sérieux problèmes de fonctionnement, arrêtez le système immédiatement.
- La température ambiante maximale doit être de 113° F (45° C). Ne le faites pas fonctionner à des températures plus élevées.

### Contact

En dehors des États-Unis, du Royaume-Uni, de l'Irlande, du Benelux, de la France, de l'Allemagne, ou du Mexique, contactez votre fournisseur si vous avez besoin d'assistance ou de retourner votre appareil. Consultez le site [Contact Us](#) pour trouver nos coordonnées.

### Ce Qui est Inclus

- Maverick MK2 Profile
- Seetronic Powerkon IP65 cordon d'alimentation
- 2 fixations Omega sans matériel de montage
- Manuel de Référence

## Alimentation CA

Cet appareil est doté d'une alimentation universelle prenant en charge toute tension d'entrée comprise entre 100 et 240 VCA, 50/60 Hz.

### Prise CA

Connexion	Câble (États-Unis)	Câble (Europe)	Couleur de la vis
Conducteur CA	Noir	Marron	Jaune/Cuivré
Neutre CA	Blanc	Bleu	Argenté
Terre CA	Vert/Jaune	Vert/Jaune	Vert



**Durant les périodes de non-utilisation, pour éviter toute usure inutile et pour prolonger la durée de vie, déconnectez-entièrement l'appareil en le débranchant de l'alimentation électrique ou en coupant le disjoncteur.**

### Remplacement du Fusible

1. Débranchez l'appareil de l'alimentation.
2. À l'aide d'un tournevis à tête plate, dévissez le couvercle du porte-fusible du boîtier.
3. Retirez le fusil obsolète et remplacez-le par un fusible en bon état de même type et ampérage.
4. Revissez le couvercle du porte-fusible et rebranchez l'unité.

### Raccordement DMX

Le Maverick MK2 Profile fonctionnera avec un jeu d'orgues DMX au moyen de connexions DMX en série standard. Une introduction au DMX est à votre disposition sur [www.chauvetprofessional.com](http://www.chauvetprofessional.com).

### Connexion DMX

Le Maverick MK2 Profile utilise une connexion de données DMX standard pour ses personnalités DMX: **29Ch** et **22Ch**. Consultez le Manuel d'Utilisation pour connecter et configurer le système DMX.

### Connexions du signal

Vous pouvez relier le Maverick MK2 Profile à un contrôleur ou à un logiciel de contrôle à l'aide d'une connexion DMX, une connexion Ethernet ou les deux à la fois. En cas d'utilisation du Maverick MK2 Profile conjointement avec d'autres appareils compatibles avec les protocoles Art-Net™, sACN ou Kling-Net, vous gardez le contrôle individuel sur un même réseau. Veuillez consulter le manuel d'utilisation pour plus d'informations sur la connexion et la configuration de l'appareil avec ces signaux.

### Connexions Art-Net™

Art-Net™ est un protocole Ethernet par TCP/IP qui permet de transférer de grandes quantités de données DMX512 en utilisant une connexion etherCON RJ45 sur un grand réseau. Une introduction au protocole Art-Net™ est disponible sur le site internet [www.chauvetprofessional.com](http://www.chauvetprofessional.com). Chauvet Professional recommande d'utiliser le mode Unicast pour de meilleurs résultats.

Art-Net™ conçu et droit d'auteur par Artistic Licence Holdings Ltd.

### Connexions sACN

Également appelé ANSI E1.31, le streaming ACN est un protocole Ethernet qui utilise les couches et le formatage de l'Architecture for Control Networks pour transporter des données DMX512 par IP ou tout autre réseau compatible ACN. L'ACN est maintenu par la PLASA (Professional Lighting and Sound Association).

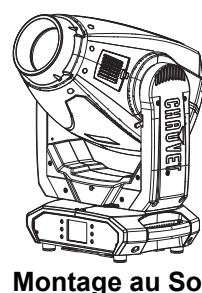
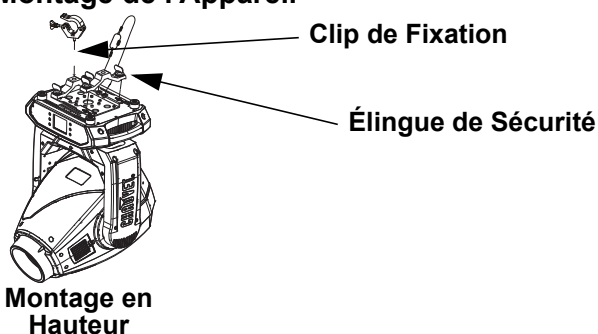
### RDM (Gestion des périphériques à distance)

Le protocole RDM (gestion des périphériques à distance) est un standard pour la communication bidirectionnelle des appareils dotés de fonctions DMX dans un câblage DMX existant. Le Maverick MK2 Profile supporte le protocole RDM permettant un retour d'information pour la surveillance et des changements des options de menu. Veuillez télécharger le manuel de l'utilisateur à partir du site internet [www.chauvetprofessional.com](http://www.chauvetprofessional.com) pour plus de détails.

### Installation

Avant de monter cet appareil, lisez et assimilez les [Consignes de Sécurité](#). Use at least one mounting point per product. Make sure the mounting clamps are capable of supporting the weight of the product. For our Chauvet line of mounting clamps, go to <http://trusst.com/productcategory/truss-clamps/>

Schéma de Montage de l'Appareil



Description du Tableau de Commandes

Bouton	Fonction
↑	Permet de naviguer vers le haut dans la liste du menu ou d'incrémenter une valeur numérique dans une fonction
≡	Permet de sortir du menu ou de la fonction en cours
↓	Permet de naviguer vers le bas dans la liste du menu ou de décrémenter une valeur numérique dans une fonction
←	Permet de se déplacer vers la gauche dans le menu.
↵	Active l'entrée de menu actuellement affichée ou confirme la valeur actuellement sélectionnée pour la fonction en cours de sélection
→	Permet de se déplacer vers la droite dans le menu

Affichage à piles

Appuyez sur la touche et maintenez-la enfoncée jusqu'à ce que l'écran du menu apparaisse (environ 15 secondes).

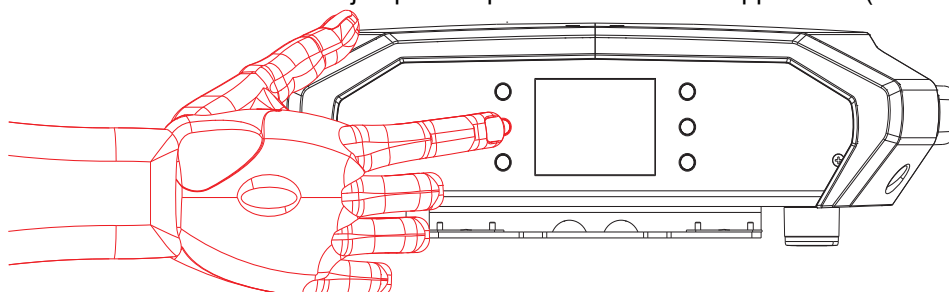


Tableau de Menu

Niveau Principal	Niveaux de Programmation		Description
Address	000-512		Paramétrage réseau
Network Setup	IP Mode	Manual	Sélection du mode IP
		DHCP	
		Static	
	Universe	000-255	Permet de définir l'univers
ArtNetIp	002.xxx.xxx.xxx	Paramétrage de l'IP	
SubMask	255.xxx.xxx.xxx	Masque de sous-réseau	
Personality	DMX 33CH	YES	Sélection de DMX avec 33 canaux
		NO	
	DMX 50CH	YES	Sélection de DMX avec 50 canaux
		NO	

Niveau Principal	Niveaux de Programmation		Description
<b>Settings</b>	<b>Control Mode</b>	DMX	Sélection du signal
		WDMX	
		sACN	
		ArtNet	
	<b>Pan Reverse</b>	YES	Permet d'inverser le balayage
		NO	
	<b>Tilt Reverse</b>	YES	Permet d'inverser le basculement
		NO	
	<b>Screen Reverse</b>	NO	Inversion manuelle ou automatique de l'écran
		YES	
		AUTO	
	<b>Pan Angle</b>	540	Permet de modifier l'angle de balayage
		360	
		180	
	<b>Tilt Angle</b>	270	Permet de modifier l'angle de basculement
		180	
		90	
	<b>BL. O. P/T Move</b>	YES	Activer/désactiver le noir général XY
		NO	
	<b>BL. O. Color Move</b>	YES	Activer/désactiver l'extinction des couleurs
		NO	
	<b>BL. O. Gobo Move</b>	YES	Activer/désactiver l'extinction du gobo
		NO	
	<b>Calibration</b>	YES	Activation du calibrage
		NO	
	<b>Touchscreen Lock</b>	YES	Verrouillage de l'écran tactile
		NO	
<b>Lock Screen</b>	YES	Boutons de verrouillage et l'écran tactile	
	NO		
<b>Swap X/Y</b>	YES	Permet de permuter le balayage et le basculement	
	NO		
<b>X/Y Mode</b>	Fast	Permet de modifier la vitesse de basculement	
	Slow		
<b>WDMX Reset</b>	YES	Permet de réinitialiser le DMX sans fil	
	NO		
<b>Backlight Timer</b>	30S	Permet d'éteindre automatiquement le rétro-éclairage après un laps de temps défini	
	1M		
	5M		
	ON		
<b>Loss of Data</b>	Hold	Paramétrage de la perte de données	
	Close		
<b>Fans</b>	Auto	Permet de modifier le mode de vitesse du ventilateur	
	Full		
	ECO		
<b>Theatrical Dimming</b>	YES	Mise à jour de la gradation Ancienne gradation qui correspond à l'ancien Maverick MK2 Profiles	
	NO		
<b>Dimmer Curve</b>	Linear	Permet de définir la courbe de gradation	
	Square		
	I Square		
	Scurve		

Niveau Principal	Niveaux de Programmation		Description	
Settings	Dimmer Speed	Smooth	Permet de modifier la vitesse de gradation	
		Fast		
	PWM Option	600	Permet de sélectionner la fréquence de sortie MLI	
		1200		
		2000		
		4000		
		6000		
		15000		
	Smart Zoom	Off	Limitation de l'amplitude de zoom pour une mise au point optimale	
		On		
	Beam Correction	Off	Permet de créer un champ plat lors de l'utilisation des volets d'obturation. Effectue également un décalage des gobos d'une position dans la roue n°1	
		On		
	Preset Select	PRESET A	Options de menu des préséglages enregistrés	
		PRESET B		
		PRESET C		
Preset Sync	NO	Permet de transférer les options de menu des préséglages enregistrés vers d'autres appareils Maverick MK2 Profile de la chaîne DMX en guirlande		
	YES			
Reset Function	Pan/Tilt	YES/NO	Permet de réinitialiser au paramétrage d'usine chaque fonction	
	Iris/Prism			
	Color/CMY+Blade			
	Gobo/Gobo Rotate			
	Frost			
	All			
Factory Settings	YES	Permet de réinitialiser toutes les fonctions au paramétrage d'usine		
	NO			
	<b>Auto Test</b>		Test automatisé de l'appareil	
Test	Manual Test	Pan	000 ~ 255	Test individuel de chaque fonction/canal
		Pan Fine		
		Tilt		
		Tilt Fine		
		P/T Speed		
		Dimmer		
		Dimmer Fine		
		Shutter		
		Virtual Shaking		
		Cyan		
		Magenta		
		Yellow		
		CTO		
		Color		
		Gobo		
		Gobo Rotate		
Gobo Index				

Niveau Principal	Niveaux de Programmation		Description	
Test	Manual Test	Gobo 2	000 ~ 255	Test individuel de chaque fonction/ canal
		Gobo 2 Rotate		
		Gobo 2 Index		
		Blade 1-1		
		Blade 1-1 Fine		
		Blade 1-2		
		Blade 1-2 Fine		
		Blade 2-1		
		Blade 2-1 Fine		
		Blade 2-2		
		Blade 2-2 Fine		
Blade 3-1				
Information	Fixture Information	Ver V1		Version courante
		Running Mode DMX		Mode courant
		DMX Address		
		Temperature		Température courante
		Fixture Hours		Durée d'activation courante
		ArtNetIp		Adresse IP courante
		SubMask		Affiche le masque de sous-réseau actuel
	MAC Address	Adresse MAC		
	Fan Information	Base Fan 1 Speed		Visualiser le paramétrage de vitesse
		Base Fan 2 Speed		
		Head Fan 1 Speed		
		Head Fan 2 Speed		
	Error Information			Apparaît à l'écran
	Channel Information	Frequency	Hz	Statut de chaque canal
		Pan	000 ~ 255	
		Pan Fine		
		Tilt		
		Tilt Fine		
		P/T Speed		
		Dimmer		
		Dimmer Fine		
		Shutter		
		Virtual Shaking		
		Cyan		
		Magenta		
		Yellow		
		CTO		
		Color		
		Gobo		
		Gobo Rotate		
		Gobo Index		
		Gobo 2		
		Gobo 2 Rotate		
Gobo 2 Index				
Blade 1-1				
Blade 1-1 Fine				



Niveau Principal	Niveaux de Programmation			Description
Information	Channel Information	Blade 1-2	000 ~ 255	Statut de chaque canal
		Blade 1-2 Fine		
		Blade 2-1		
		Blade 2-1 Fine		
		Blade 2-2		
		Blade 2-2 Fine		
		Blade 3-1		
		Blade 3-1 Fine		
		Blade 3-2		
		Blade 3-2 Fine		
		Blade 4-1		
		Blade 4-1 Fine		
		Blade 4-2		
		Blade 4-2 Fine		
		Blade Rotate		
		Blade Rota Fine		
		Blade Macro		
		Focus		
		Focus Fine		
		Focus Auto		
		Zoom		
		Zoom Fine		
		Prism		
		Prism Rotate		
Iris				
Frost				
CMY Macro				
CMY Macro Speed				
Special Function				

Valeurs DMX

50 Ch

Canal	Fonction	Valeur	Pourcentage/Configuration
1	Balayage	000 ⇄ 255	0-100%
2	Balayage Fin	000 ⇄ 255	Fine control (16-bit)
3	Basculement	000 ⇄ 255	0-100%
4	Basculement Fin	000 ⇄ 255	Fine control (16-bit)
5	Vitesse de Balayage/ Basculement	000 ⇄ 255	0-100%
6	Gradateur	000 ⇄ 255	0-100%
7	Gradateur fin	000 ⇄ 255	Fine control (16-bit)
8	Obturbateur	000 ⇄ 003	Fermé
		004 ⇄ 007	Ouvert
		008 ⇄ 076	Lent à rapide
		077 ⇄ 145	Effet de pulsation lent à rapide
		146 ⇄ 215	Effet aléatoire lent à rapide
		216 ⇄ 255	Ouvert
9	Volet Virtuel	000 ⇄ 001	Pas de fonction
		002 ⇄ 128	Stroboscope vibrant , rapide à lent
		129 ⇄ 255	Apparition en fondu / disparaître, rapide pour ralentir
10	Cyan	000 ⇄ 255	0-100%
11	Magenta	000 ⇄ 255	0-100%
12	Jaune	000 ⇄ 255	0-100%

Canal	Fonction	Valeur	Pourcentage/Configuration
13	CTO	000 ⇄ 255	0-100%
14	Roue de Couleurs	000 ⇄ 006 007 ⇄ 013 014 ⇄ 020 021 ⇄ 027 028 ⇄ 034 035 ⇄ 041 042 ⇄ 048 049 ⇄ 059 060 ⇄ 187 188 ⇄ 219 220 ⇄ 223 224 ⇄ 255	Ouvert Rouge Orange Vert Bleu Magenta CTO UV Couleurs séparées Défilement horaire de couleur, rapide à lent Arrêt Défilement de couleur dans le sens antihoraire, lent à rapide
15	Roue de Gobos 1	000 ⇄ 008 009 ⇄ 017 018 ⇄ 026 027 ⇄ 035 036 ⇄ 044 045 ⇄ 053 054 ⇄ 063 064 ⇄ 073 074 ⇄ 082 083 ⇄ 091 092 ⇄ 100 101 ⇄ 109 110 ⇄ 118 119 ⇄ 127 128 ⇄ 191 192 ⇄ 255	Ouvert Gobo 1 (Circuits) Gobo 2 (Ring of Rings) Gobo 3 (Checker Vortex) Gobo 4 (Triangle) Gobo 5 (Star Field) Gobo 6 (Lenticular Glass) Tremblement Gobo 6 Tremblement Gobo 5 Tremblement Gobo 4 Tremblement Gobo 3 Tremblement Gobo 2 Tremblement Gobo 1 Ouvert Défilement horaire de gobo, rapide à lent Défilement antihoraire de gobo, lent à rapide
16	Rotation 1 de Gobo	000 ⇄ 063 064 ⇄ 145 146 ⇄ 149 150 ⇄ 231 232 ⇄ 255	Index de rotation de gobo Rotation horaire, lent à rapide Arrêt Rotation antihoraire, lent à rapide Effet de rebond
17	Roue de Gobos 1 Index d'incréméntation	000 ⇄ 255	0-100%
18	Roue de Gobos 2	000 ⇄ 008 009 ⇄ 017 018 ⇄ 026 027 ⇄ 035 036 ⇄ 044 045 ⇄ 053 054 ⇄ 063 064 ⇄ 073 074 ⇄ 082 083 ⇄ 091 092 ⇄ 100 101 ⇄ 109 110 ⇄ 118 119 ⇄ 127 128 ⇄ 191 192 ⇄ 255	Ouvert Gobo 1 (Spiral) Gobo 2 (Dot Chiclets) Gobo 3 (Splat Breakup) Gobo 4 (Wavy Bar) Gobo 5 (Shower Glass) Gobo 6 (Lenticular Glass) Tremblement Gobo 6 Tremblement Gobo 5 Tremblement Gobo 4 Tremblement Gobo 3 Tremblement Gobo 2 Tremblement Gobo 1 Ouvert Défilement horaire de gobo, rapide à lent Défilement antihoraire de gobo, lent à rapide
19	Rotation 2 de Gobo	000 ⇄ 063 064 ⇄ 145 146 ⇄ 149 150 ⇄ 231 232 ⇄ 255	Index de rotation de gobo Rotation horaire, lent à rapide Arrêt Rotation antihoraire, lent à rapide Effet de rebond
20	Roue de Gobos 2 Index d'incréméntation	000 ⇄ 255	0-100%
21	Lame 1a	000 ⇄ 255	0-100%
22	Lame 1a Fine	000 ⇄ 255	0-100%
23	Lame 1b	000 ⇄ 255	0-100%

<b>Cana</b>	<b>Fonction</b>	<b>Valeur</b>	<b>Pourcentage/Configuration</b>
24	Lame 1b Fine	000 ⇄ 255	0-100%
25	Lame 2a	000 ⇄ 255	0-100%
26	Lame 2a Fine	000 ⇄ 255	0-100%
27	Lame 2b	000 ⇄ 255	0-100%
28	Lame 2b Fine	000 ⇄ 255	0-100%
29	Lame 3a	000 ⇄ 255	0-100%
30	Lame 3a Fine	000 ⇄ 255	0-100%
31	Lame 3b	000 ⇄ 255	0-100%
32	Lame 3b Fine	000 ⇄ 255	0-100%
33	Lame 4a	000 ⇄ 255	0-100%
34	Lame 4a Fine	000 ⇄ 255	0-100%
35	Lame 4b	000 ⇄ 255	0-100%
36	Lame 4b Fine	000 ⇄ 255	0-100%
37	Rotation de Cadre	000 ⇄ 255	0-100%
38	Mise au Point	000 ⇄ 255	0-100%
39	Mise au Point Fine	000 ⇄ 255	0-100%
40	Mise au Point	000 ⇄ 255	0-100%
41	Mise au Point Automatique	000 ⇄ 010	Aucune fonction
		011 ⇄ 030	0 à 5m
		031 ⇄ 050	6 m
		051 ⇄ 070	7 m
		071 ⇄ 090	8 m
		091 ⇄ 110	9 m
		111 ⇄ 130	10 m
		131 ⇄ 150	12,5 m
		151 ⇄ 170	15 m
		171 ⇄ 190	17,5 m
191 ⇄ 210	20 à 60 m		
211 ⇄ 255	Auto détection de distance		
42	Zoom	000 ⇄ 255	Large pour rétrécir
43	Zoom Fin	000 ⇄ 255	0-100%
44	Prisme	000 ⇄ 004	Aucune fonction
		005 ⇄ 255	Effet de prisme
45	Rotation du Prisme	000 ⇄ 127	Position de rotation
		128 ⇄ 189	Rotation horaire, lent à rapide
		190 ⇄ 193	Arrêt
		194 ⇄ 255	Rotation antihoraire, rapide à lent
46	Iris	000 ⇄ 063	Grand à petit
		064 ⇄ 127	Changement automatique, lent à rapide
		128 ⇄ 191	Zoom avant lent, zoom arrière rapide (lent à rapide)
		192 ⇄ 255	Zoom arrière lent, zoom avant rapide (lent à rapide)
47	Diffusion	000 ⇄ 255	0-100%
48	Macro CMY	000 ⇄ 009	Aucune fonction
		010 ⇄ 255	Macro CMY
49	Vitesse de Macro CMY	000 ⇄ 255	100%-0
50	Control	000 ⇄ 007	Aucune fonction
		008 ⇄ 015	Noir général XY
		016 ⇄ 023	Noir général C
		024 ⇄ 031	Noir général G
		032 ⇄ 039	Noir général XYC
		040 ⇄ 047	Noir général XYG
		048 ⇄ 055	Noir général XYCG
		056 ⇄ 095	Aucune fonction
		096 ⇄ 103	Réinitialisation X
		104 ⇄ 111	Réinitialisation Y
		112 ⇄ 119	Réinitialisation couleur
		120 ⇄ 127	Réinitialisation de gobo & rotation gobo

Cana	Fonction	Valeur	Pourcentage/Configuration
50	Control	128 ⇔ 135	Aucune fonction
		136 ⇔ 143	Réinitialisation prisme
		144 ⇔ 151	Réinitialisation cadre
		152 ⇔ 159	Tout réinitialiser
		160 ⇔ 167	Réinitialisation iris
		168 ⇔ 175	Réinitialisation diffusion
		176 ⇔ 183	Réinitialisation zoom
		184 ⇔ 191	Réinitialisation CMY
		192 ⇔ 199	Vitesse lente ventilateur
		200 ⇔ 207	Vitesse maximale ventilateur
		208 ⇔ 215	Ventilateur automatique
		216 ⇔ 220	Correction de faisceau désactivée
		221 ⇔ 225	Mode rapide iris
		226 ⇔ 230	Mode doux iris
		231 ⇔ 235	Permutation XY activée
236 ⇔ 240	Permutation XY désactivée		
241 ⇔ 245	Correction de faisceau activée (décale les gobos d'une position sur la roue n°1)		
246 ⇔ 250	Mode rapide XY		
251 ⇔ 255	Mode lent XY		

### 33 Ch

Cana	Fonction	Valeur	Pourcentage/Configuration
1	Balayage	000 ⇔ 255	0-100%
2	Balayage Fin	000 ⇔ 255	Fine control (16-bit)
3	Basculement	000 ⇔ 255	0-100%
4	Basculement Fin	000 ⇔ 255	Fine control (16-bit)
5	Vitesse de Balayage/ Basculement	000 ⇔ 255	0-100%
6	Gradateur	000 ⇔ 255	0-100%
7	Obturbateur	000 ⇔ 003	Fermé
		004 ⇔ 007	Ouvert
		008 ⇔ 076	Lent à rapide
		077 ⇔ 145	Effet de pulsation lent à rapide
		146 ⇔ 215	Effet aléatoire lent à rapide
216 ⇔ 255	Ouvert		
8	Volet Virtuel	000 ⇔ 001	Pas de fonction
		002 ⇔ 128	Stroboscope vibrant , rapide à lent
		129 ⇔ 255	Apparition en fondu / disparaître, rapide pour ralentir
9	Cyan	000 ⇔ 255	0-100%
10	Magenta	000 ⇔ 255	0-100%
11	Jaune	000 ⇔ 255	0-100%
12	CTO	000 ⇔ 255	0-100%
13	Roue de Couleurs	000 ⇔ 006	Ouvert
		007 ⇔ 013	Rouge
		014 ⇔ 020	Orange
		021 ⇔ 027	Vert
		028 ⇔ 034	Bleu
		035 ⇔ 041	Magenta
		042 ⇔ 048	CTO
		049 ⇔ 059	UV
		060 ⇔ 187	Couleurs séparées
		188 ⇔ 219	Défilement horaire de couleur, rapide à lent
		220 ⇔ 223	Arrêt
		224 ⇔ 255	Défilement de couleur dans le sens antihoraire, lent à rapide

Cana	Fonction	Valeur	Pourcentage/Configuration
14	Roue de Gobos 1	000 ⇄ 008	Ouvert
		009 ⇄ 017	Gobo 1 (Circuits)
		018 ⇄ 026	Gobo 2 (Ring of Rings)
		027 ⇄ 035	Gobo 3 (Checker Vortex)
		036 ⇄ 044	Gobo 4 (Triangle)
		045 ⇄ 053	Gobo 5 (Star Field)
		054 ⇄ 063	Gobo 6 (Lenticular Glass)
		064 ⇄ 073	Tremblement Gobo 6
		074 ⇄ 082	Tremblement Gobo 5
		083 ⇄ 091	Tremblement Gobo 4
		092 ⇄ 100	Tremblement Gobo 3
		101 ⇄ 109	Tremblement Gobo 2
		110 ⇄ 118	Tremblement Gobo 1
		119 ⇄ 127	Ouvert
128 ⇄ 191	Défilement horaire de gobo, rapide à lent		
192 ⇄ 255	Défilement antihoraire de gobo, lent à rapide		
15	Rotation 1 de Gobo	000 ⇄ 063	Index de rotation de gobo
		064 ⇄ 145	Rotation horaire, lent à rapide
		146 ⇄ 149	Arrêt
		150 ⇄ 231	Rotation antihoraire, lent à rapide
		232 ⇄ 255	Effet de rebond
16	Roue de Gobos 2	000 ⇄ 008	Ouvert
		009 ⇄ 017	Gobo 1 (Spiral)
		018 ⇄ 026	Gobo 2 (Dot Chiclets)
		027 ⇄ 035	Gobo 3 (Splat Breakup)
		036 ⇄ 044	Gobo 4 (Wavy Bar)
		045 ⇄ 053	Gobo 5 (Shower Glass)
		054 ⇄ 063	Gobo 6 (Lenticular Glass)
		064 ⇄ 073	Tremblement Gobo 6
		074 ⇄ 082	Tremblement Gobo 5
		083 ⇄ 091	Tremblement Gobo 4
		092 ⇄ 100	Tremblement Gobo 3
		101 ⇄ 109	Tremblement Gobo 2
		110 ⇄ 118	Tremblement Gobo 1
		119 ⇄ 127	Ouvert
128 ⇄ 191	Défilement horaire de gobo, rapide à lent		
192 ⇄ 255	Défilement antihoraire de gobo, lent à rapide		
17	Rotation 2 de Gobo	000 ⇄ 063	Index de rotation de gobo
		064 ⇄ 145	Rotation horaire, lent à rapide
		146 ⇄ 149	Arrêt
		150 ⇄ 231	Rotation antihoraire, lent à rapide
		232 ⇄ 255	Effet de rebond
18	Lame 1a	000 ⇄ 255	0-100%
19	Lame 1b	000 ⇄ 255	0-100%
20	Lame 2a	000 ⇄ 255	0-100%
21	Lame 2b	000 ⇄ 255	0-100%
22	Lame 3a	000 ⇄ 255	0-100%
23	Lame 3b	000 ⇄ 255	0-100%
24	Lame 4a	000 ⇄ 255	0-100%
25	Lame 4b	000 ⇄ 255	0-100%
26	Rotation de Cadre	000 ⇄ 255	0-100%
27	Mise au Point	000 ⇄ 255	0-100%
28	Zoom	000 ⇄ 255	Large pour rétrécir
29	Prisme	000 ⇄ 004	Aucune fonction
		005 ⇄ 255	Effet de prisme
30	Rotation du Prisme	000 ⇄ 127	Position de rotation
		128 ⇄ 189	Rotation horaire, lent à rapide
		190 ⇄ 193	Arrêt
		194 ⇄ 255	Rotation antihoraire, rapide à lent

Cana	Fonction	Valeur	Pourcentage/Configuration
31	Iris	000 ⇔ 063	Grand à petit
		064 ⇔ 127	Changement automatique, lent à rapide
		128 ⇔ 191	Zoom avant lent, zoom arrière rapide (lent à rapide)
		192 ⇔ 255	Zoom arrière lent, zoom avant rapide (lent à rapide)
32	Diffusion	000 ⇔ 255	0-100%
33	Control	000 ⇔ 007	Aucune fonction
		008 ⇔ 015	Noir général XY
		016 ⇔ 023	Noir général C
		024 ⇔ 031	Noir général G
		032 ⇔ 039	Noir général XYC
		040 ⇔ 047	Noir général XYG
		048 ⇔ 055	Noir général XYCG
		056 ⇔ 095	Aucune fonction
		096 ⇔ 103	Réinitialisation X
		104 ⇔ 111	Réinitialisation Y
		112 ⇔ 119	Réinitialisation couleur
		120 ⇔ 127	Réinitialisation de gobo & rotation gobo
		128 ⇔ 135	Aucune fonction
		136 ⇔ 143	Réinitialisation prisme
		144 ⇔ 151	Réinitialisation cadre
		152 ⇔ 159	Tout réinitialiser
		160 ⇔ 167	Réinitialisation iris
		168 ⇔ 175	Réinitialisation diffusion
		176 ⇔ 183	Réinitialisation zoom
		184 ⇔ 191	Réinitialisation CMY
		192 ⇔ 199	Vitesse lente ventilateur
		200 ⇔ 207	Vitesse maximale ventilateur
		208 ⇔ 215	Ventilateur automatique
		216 ⇔ 220	Correction de faisceau désactivée
		221 ⇔ 225	Mode rapide iris
		226 ⇔ 230	Mode doux iris
		231 ⇔ 235	Permutation XY activée
236 ⇔ 240	Permutation XY désactivée		
241 ⇔ 245	Correction de faisceau activée (décale les gobos d'une position sur la roue n°1)		
246 ⇔ 250	Mode rapide XY		
251 ⇔ 255	Mode lent XY		

## Over deze handleiding

De Maverick MK2 Profile Beknopte Handleiding (BH) bevat basisinformatie over het product, zoals aansluiting, montage, menu-opties en DMX-waarden. Download de gebruikershandleiding op [www.chauvetprofessional.com](http://www.chauvetprofessional.com) voor meer informatie.

### Disclaimer

De informatie en specificaties in deze BH kunnen zonder voorafgaande kennisgeving worden gewijzigd.

### BEPERKTE GARANTIE

#### GA NAAR ONZE WEBSITE VOOR REGISTRATIE VAN DE GARANTIE EN DE VOLLEDIGE ALGEMENE VOORWAARDEN.

Voor klanten in de Verenigde Staten en Mexico: [www.chauvetlighting.com/warranty-registration](http://www.chauvetlighting.com/warranty-registration)

Voor klanten in het Verenigd Koninkrijk, Ierland, België, Nederland, Luxemburg, Frankrijk en Duitsland: [www.chauvetlighting.eu/warranty-registration/](http://www.chauvetlighting.eu/warranty-registration/)

Chauvet garandeert dat dit product bij normaal gebruik vrij zal blijven van defecten in materiaal en vakmanschap, voor de opgegeven periode en onder voorbehoud van de uitzonderingen en beperkingen die zijn uiteengezet in de volledige beperkte garantie op onze website. Deze garantie geldt uitsluitend voor de oorspronkelijke koper van het product en is niet overdraagbaar. Om onder deze garantie rechten uit te oefenen, moet u een aankoopbewijs overleggen in de vorm van een origineel verkoopbewijs van een geautoriseerde dealer, waarop de naam van het product en de aankoopdatum zichtbaar zijn. ER ZIJN GEEN ANDERE EXPLICIETE OF IMPLICIETE GARANTIES. Deze garantie geeft u specifieke wettelijke rechten. Mogelijk heeft u ook andere rechten die van staat tot staat en van land tot land verschillen. Deze garantie is uitsluitend geldig in de Verenigde Staten, het Verenigd Koninkrijk, Ierland, België, Nederland, Luxemburg, Frankrijk, Duitsland en Mexico. Neem contact op met uw lokale verkoper voor garantievoorwaarden in andere landen.

### Veiligheids instructies

- Open het product NIET. Het bevat geen te onderhouden onderdelen.
- KIJK NIET in de lichtbron wanneer het apparaat is ingeschakeld.
- Om onnodige slijtage te elimineren en zijn levensduur te verlengen, gedurende perioden wanneer het product niet wordt gebruikt, moet u het product van de stroom afsluiten door een aardlekschakelaar om te zetten of door het te ontkoppelen.
- LET OP: Bij het verplaatsen van het product uit extreme omgevingen, (bijv. koude vrachtwagen naar warme, vochtige balzaal) kan er condensvorming optreden op de elektronica van het product. Om storingen te vermijden moet het product volledig kunnen acclimatiseren aan de omgeving voordat het op stroom wordt aangesloten.
- LET OP: De behuizing van dit product kan heet zijn wanneer het in bedrijf is.
- Monteer dit product op een plek met voldoende ventilatie, ten minste 50 cm van de aangrenzende oppervlakken.
- Plaats geen ontvlambaar materiaal binnen 50 cm van dit product als het in gebruik is of is aangesloten op het stopcontact.
- GEBRUIK een veiligheidskabel bij het boven het hoofd plaatsen van dit product.
- Gebruik dit product NIET buitenshuis of op een locatie waar stof, grote warmte, water of vochtigheid het kunnen beïnvloeden. (IP20)
- Gebruik dit product NIET als de behuizing, lenzen of kabels beschadigd lijken.
- Sluit dit product NIET aan op een dimmer of een regelweerstand.
- Sluit dit product UITSLUITEND op een geaard en beveiligd stroomcircuit.
- Gebruik UITSLUITEND de montagebeugels of de hendels om dit product te dragen. Draag het product niet aan de bewegende kop.
- Stop in het geval van ernstige operationele problemen onmiddellijk met het gebruik.
- De maximale omgevingstemperatuur bedraagt 45 °C. Gebruik dit product niet bij hogere temperaturen.

### Contact

Van buiten de VS, Verenigd Koninkrijk, Ierland, Benelux, Frankrijk, Duitsland of Mexico kunt u contact opnemen met de distributeur of om ondersteuning vragen dan wel het product retourneren. Ga naar [Contact Us](#) voor contactinformatie.

### Wat is inbegrepen

- Maverick MK2 Profile
- Seetronic Powerkon IP65 stroomsnoer
- 2 Omegabeugels met bevestigingsapparatuur
- Beknopte handleiding

## AC-stroom

Dit product heeft een voeding met automatisch bereik die werkt met een ingangsspanning van 100–240 VAC, 50/60 Hz.

### AC-stekker

Aansluiting	Snoer (VS)	Snoer (Europa)	Schroefkleur
AC Live	Zwart	Bruin	Geel/messing
AC Neutraal	Wit	Blauw	Zilver
AC Aarde	Groen/geel	Groen/geel	Groen



Om onnodige slijtage te elimineren en zijn levensduur te verlengen, gedurende perioden wanneer het product niet wordt gebruikt, moet u het product van de stroom afsluiten door een aardlekschakelaar om te zetten of door het te ontkoppelen.

## DMX-koppeling

De Maverick MK2 Profile kan met een DMX-controller werken met een normale DMX seriële verbinding. Op [www.chauvetprofessional.com](http://www.chauvetprofessional.com) is een DMX basishandleiding verkrijgbaar.

### DMX-aansluiting

De Maverick MK2 Profile gebruikt een normale DMX-gegevensverbinding voor zijn DMX-persoonlijkheden: **50 Ch**, en **33 Ch**. Zie de gebruikershandleiding om te verbinden en te configureren voor DMX-werking.

### Signaal-verbindingen

U kunt de Maverick MK2 Profile aansluiten op een controller of controllersoftware met behulp van een DMX-aansluiting, een ethernetverbinding of beide.. Bij het gebruik van andere Art-Net™, sACN, of Kling-Net-compatible producten met de Maverick MK2 Profile, kunt u deze individueel aansturen op een enkel netwerk. Zie de gebruikershandleiding voor meer informatie over het verbinden en configureren van het product voor deze signalen.

### Art-Net™ aansluiting

Art-Net™ is een ethernet-protocol dat gebruikmaakt van TCP/IP dat over een groot netwerk grote hoeveelheden DMX512-gegevens verzendt met behulp van een etherCON RJ45-verbinding. Een Art-Net™-protocoldocument is te verkrijgen op [www.chauvetprofessional.com](http://www.chauvetprofessional.com). Chauvet Professional raadt het gebruik van unicast-modus voor het beste resultaat.

Art-Net™ ontworpen en auteursrecht door Artistic Licence Holdings Ltd. .

### sACN-aansluiting

Streaming-ACN staat ook wel bekend als ANSI E1.31 en is een ethernetprotocol dat de laag- en opmaakstructuur gebruikt van Architecture for Control Networks om DMX512-gegevens te transporteren over IP of een ander ACN compatibel netwerk. ACN wordt onderhouden door de Professional Lighting and Sound Association (PLASA).

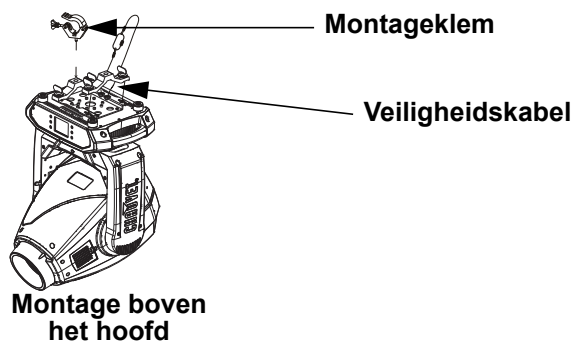
### RDM (apparaatbeheer op afstand)

Remote Device Management of RDM (apparaatbeheer op afstand) is een standaard die het voor DMX-apparaten mogelijk maakt om in twee richtingen te communiceren over bestaande DMX-kabels. De Maverick MK2 Profile ondersteunt het RDM-protocol dat zorgt feedback toelaat bij de bewaking van wijzigingen aan de menu map-opties van. Download de gebruikershandleiding op [www.chauvetprofessional.com](http://www.chauvetprofessional.com) voor meer informatie.

## Montage







Lees alvorens dit product te monteren alle [Veiligheids instructies](#). Controleer of de montageklem het gewicht van het product kan dragen. Ga voor onze Chauvet-serie montageklemmen naar <http://trusst.com/productcategory/truss-clamps/>

### Montagediagram van het product



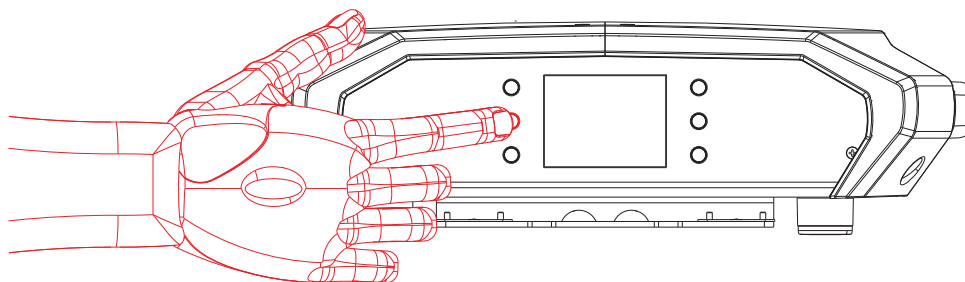


### Beschrijving bedienings paneel

Toets	Functie
	Navigeert omhoog via het menu of verhoogt de numerieke waarde wanneer in een functie
	Sluit het huidige menu of functie af
	Navigeert omlaag via het menu of verlaagt de numerieke waarde wanneer in een functie
	Navigeert naar links door de menulijst
	Activeert het huidige getoonde menu of plaatst de huidige geselecteerde waarde in de geselecteerde functie
	Navigeert naar rechts door de menulijst

### Display op batterijstroom

Ingedrukt houden totdat het menuscherm verschijnt (ongeveer 15 sec).



### Menumap

Hoofdniveau	Programmeerniveaus		Beschrijving	
Address	000-512		Netwerkinstelling	
Network Setup	IP Mode	Manual	Selectie van IP-modus	
		DHCP		
		Static		
Universe ArtNetIP SubMask	000-255 002.xxx.xxx.xxx 255.xxx.xxx.xxx	000-255	Stel de Universe in	
		002.xxx.xxx.xxx	IP-instelling	
		255.xxx.xxx.xxx	Subnetmasker	
Personality	DMX 33CH	YES	Kies 33 DMX-kanalen	
		NO		
DMX 50CH	YES	YES	Kies 50 DMX-kanalen	
		NO		
Settings	Control Mode	DMX	Signaalselectie	
		WDMX		
		sACN		
		ArtNet		
	Pan Reverse	YES	YES	De zwenking omkeren
			NO	
	Tilt Reverse	YES	YES	Zwenking omkeren
NO				
Screen Reverse	NO	NO	Het scherm handmatig of automatisch omdraaien	
		YES		
		AUTO		

Hoofdniveau	Programmeerniveaus	Beschrijving	
Settings	Pan Angle	540	De zwenkhoek wijzigen
		360	
		180	
	Tilt Angle	270	De kantelhoek wijzigen
		180	
		90	
	BL. O. P/T Move	YES	XY-verduistering inschakelen/ uitschakelen
		NO	
	BL. O. Color Move	YES	Kleurverduistering inschakelen/ uitschakelen
		NO	
	BL. O. Gobo Move	YES	Goboverduistering inschakelen/ uitschakelen
		NO	
	Calibration	YES	Kalibratie inschakelen
		NO	
	Touchscreen Lock	YES	Het aanraakscherm vergrendelen
		NO	
	Lock Screen	YES	Lock knoppen en aanraakscherm
		NO	
	Swap X/Y	YES	De kanteling en zwenking omwisselen
		NO	
	X/Y Mode	Fast	Wijzigt de omwisselen
		Slow	
	WDMX Reset	YES	De draadloze DMX resetten
		NO	
	Backlight Timer	30S	Stel in dat de achtergrondverlichting zich na een bepaalde tijd uitschakelt
		1M	
		5M	
		ON	
	Loss of Data	Hold	Verlies van gegevensinstelling
		Close	
Fans	Auto	De snelheidsmodus van de ventilator wijzigen	
	Full		
	ECO		
Theatrical Dimming	YES	Dimmen bijgewerkt	
	NO	Oudere dimmen dat hoort bij oudere Maverick MK2 Profiles	
Dimmer Curve	Linear	Stelt de dimcurve in	
	Square		
	I Square		
	Scurve		
Dimmer Speed	Smooth	Wijzigt de dimsnelheid	
	Fast		
PWM Option	600	Selecteert de PWM-uitgangsfrequentie	
	1200		
	2000		
	4000		
	6000		
	15000		
Smart Zoom	Off	Beperkt het zoombereik voor een optimale focus	
	On		
Beam Correction	Off	Creëert een plat veld bij het gebruik van sluiters. Dit verplaatst ook de gobo's met 1 positie in wiel #1	
	On		

Hoofdniveau	Programmeerniveaus		Beschrijving	
Settings	Preset Select	PRESET A	OpgenoOpgenomen vooringestelde menuopties	
		PRESET B		
		PRESET C		
	Preset Sync	NO	Zorgt ervoor dat opgenomen vooringestelde menuopties worden overgezet op andere Maverick MK2 Profile in de DMX-keten	
		YES		
	Reset Function	Pan/Tilt	YES/NO	Selecteert de PWM-uitgangsfrequentie
		Iris/Prism		
		Color/CMY +Blade		
Gobo/Gobo Rotate				
Frost				
All				
Factory Settings	YES	Alle functies resetten naar fabrieksinstellingen		
	NO			
Test	Auto Test		Het product automatisch testen	
	Manual Test	Pan	000 ~ 255	Elke functie/elk kanaal individueel testen
		Pan Fine		
		Tilt		
		Tilt Fine		
		P/T Speed		
		Dimmer		
		Dimmer Fine		
		Shutter		
		Virtual Shaking		
		Cyan		
		Magenta		
		Yellow		
		CTO		
		Color		
		Gobo		
		Gobo Rotate		
		Gobo Index		
		Gobo 2		
		Gobo 2 Rotate		
		Gobo 2 Index		
		Blade 1-1		
		Blade 1-1 Fine		
		Blade 1-2		
		Blade 1-2 Fine		
		Blade 2-1		
		Blade 2-1 Fine		
		Blade 2-2		
Blade 2-2 Fine				

Hoofdniveau	Programmeerniveaus		Beschrijving	
Test	Manual Test	Blade 3-1	000 ~ 255	Elke functie/elk kanaal individueel testen
		Blade 3-1 Fine		
		Blade 3-2		
		Blade 3-2 Fine		
		Blade 4-1		
		Blade 4-1 Fine		
		Blade 4-2		
		Blade 4-2 Fine		
		Blade Rotate		
		Blade Rota Fine		
		Focus		
		Focus Fine		
		Focus Auto		
		Zoom		
		Zoom Fine		
		Prism		
		Prism Rotate		
		Iris		
		Frost		
		CMY Macro		
CMY Macro Speed				
Special Function				
Information	Fixture Information	Ver V1		Huidige versie
		Running Mode DMX		Huidige modus
		DMX Address		Huidige temperatuur
		Temperature		Huidige actieve uren
		Fixture Hours		Huidige IP-adres
		ArtNetIp		Huidige subnet mask
		SubMask		MAC-adres
	MAC Address			
	Fan Information	Base Fan 1 Speed		Toon snelheidsinstelling
		Base Fan 2 Speed		
		Head Fan 1 Speed		
		Head Fan 2 Speed		
	Error Information			Verschijnt op het scherm
	Channel Information	Frequency	Hz	Status van individueel kanaal
		Pan		
		Pan Fine		
		Tilt		
		Tilt Fine		
		P/T Speed		
		Dimmer		
Dimmer Fine				
Shutter		000 ~ 255		
Virtual Shaking				
Cyan				
Magenta				
Yellow				
CTO				
Color				
Gobo				
Gobo Rotate				

Hoofdniveau	Programmeerniveaus			Beschrijving
Information	Channel Information	Gobo Index	000 ~ 255	Status van individueel kanaal
		Gobo 2		
		Gobo 2 Rotate		
		Gobo 2 Index		
		Blade 1-1		
		Blade 1-1 Fine		
		Blade 1-2		
		Blade 1-2 Fine		
		Blade 2-1		
		Blade 2-1 Fine		
		Blade 2-2		
		Blade 2-2 Fine		
		Blade 3-1		
		Blade 3-1 Fine		
		Blade 3-2		
		Blade 3-2 Fine		
		Blade 4-1		
		Blade 4-1 Fine		
		Blade 4-2		
		Blade 4-2 Fine		
		Blade Rotate		
		Blade Rota Fine		
		Blade Macro		
		Focus		
		Focus Fine		
		Focus Auto		
		Zoom		
		Zoom Fine		
		Prism		
		Prism Rotate		
Iris				
Frost				
CMY Macro				
CMY Macro Speed				
Special Function				

**DMX-waarden**
**50 Ch**

Kanaal	Functie	Waarde	Percentage/instelling
1	Zwenken	000 ⇄ 255	0-100%
2	Fijn zwenken	000 ⇄ 255	Fine control (16-bit)
3	Kantelen	000 ⇄ 255	0-100%
4	Fijn kantelen	000 ⇄ 255	Fine control (16-bit)
5	Zwenk-/kantelsnelheid	000 ⇄ 255	0-100%
6	Dimmer	000 ⇄ 255	0-100%
7	Fijne Dimmer	000 ⇄ 255	Fine control (16-bit)
8	Sluiter	000 ⇄ 003	Gesloten
		004 ⇄ 007	Open
		008 ⇄ 076	Langzaam tot snel
		077 ⇄ 145	Pulseffect van langzaam tot snel
		146 ⇄ 215	Willekeurig effect van langzaam tot snel
		216 ⇄ 255	Open

Kanaal	Functie	Waarde	Percentage/instelling
9	Virtuele sluiters	000 ⇄ 001	Geen functie
		002 ⇄ 128	Stroboscoop trillen , snel naar langzaam
		129 ⇄ 255	Vervagen in / verdwijnen, snel naar langzaam
10	Cyaan	000 ⇄ 255	0-100%
11	Magenta	000 ⇄ 255	0-100%
12	Geel	000 ⇄ 255	0-100%
13	CTO	000 ⇄ 255	0-100%
14	Kleurenwiel	000 ⇄ 006	Open
		007 ⇄ 013	Rood
		014 ⇄ 020	Oranje
		021 ⇄ 027	Groen
		028 ⇄ 034	Blauw
		035 ⇄ 041	Magenta
		042 ⇄ 048	CTO
		049 ⇄ 059	UV
		060 ⇄ 187	Gespleten kleuren
		188 ⇄ 219	Kleurwijziging met de klok mee, snel tot langzaam
		220 ⇄ 223	Stop
224 ⇄ 255	Kleurwijziging tegen de klok in, langzaam tot snel		
15	Gobo-wiel 1	000 ⇄ 008	Open
		009 ⇄ 017	Gobo 1 (Circuits)
		018 ⇄ 026	Gobo 2 (Ring of Rings)
		027 ⇄ 035	Gobo 3 (Checker Vortex)
		036 ⇄ 044	Gobo 4 (Triangle)
		045 ⇄ 053	Gobo 5 (Star Field)
		054 ⇄ 063	Gobo 6 (Lenticular Glass)
		064 ⇄ 073	Gobo 6 schudden
		074 ⇄ 082	Gobo 5 schudden
		083 ⇄ 091	Gobo 4 schudden
		092 ⇄ 100	Gobo 3 schudden
		101 ⇄ 109	Gobo 2 schudden
		110 ⇄ 118	Gobo 1 schudden
		119 ⇄ 127	Open
128 ⇄ 191	Gobowijziging met de klok mee, snel tot langzaam		
192 ⇄ 255	Gobowijziging tegen de klok in, langzaam tot snel		
16	Gobo roterend 1	000 ⇄ 063	Roterende gobo index
		064 ⇄ 145	Roteren met de klok mee, langzaam tot snel
		146 ⇄ 149	Stop
		150 ⇄ 231	Tegen de klok in roteren, langzaam tot snel
		232 ⇄ 255	Stuitereffect
17	Gobo-wiel 1 oplopende index	000 ⇄ 255	0-100%
18	Gobo-wiel 2	000 ⇄ 008	Open
		009 ⇄ 017	Gobo 1 (Spiral)
		018 ⇄ 026	Gobo 2 (Dot Chiclets)
		027 ⇄ 035	Gobo 3 (Splat Breakup)
		036 ⇄ 044	Gobo 4 (Wavy Bar)
		045 ⇄ 053	Gobo 5 (Shower Glass)
		054 ⇄ 063	Gobo 6 (Lenticular Glass)
		064 ⇄ 073	Gobo 6 schudden
		074 ⇄ 082	Gobo 5 schudden
		083 ⇄ 091	Gobo 4 schudden
		092 ⇄ 100	Gobo 3 schudden
		101 ⇄ 109	Gobo 2 schudden
		110 ⇄ 118	Gobo 1 schudden
		119 ⇄ 127	Open
128 ⇄ 191	Gobowijziging met de klok mee, snel tot langzaam		
192 ⇄ 255	Gobowijziging tegen de klok in, langzaam tot snel		
19	Gobo roterend 2	000 ⇄ 063	Roterende gobo index
		064 ⇄ 145	Roteren met de klok mee, langzaam tot snel
		146 ⇄ 149	Stop
		150 ⇄ 231	Tegen de klok in roteren, langzaam tot snel
		232 ⇄ 255	Stuitereffect

Kanaal	Functie	Waarde	Percentage/instelling
20	Gobo-wiel 2 oplopende index	000 ⇄ 255	0-100%
21	Blad 1a	000 ⇄ 255	0-100%
22	Fijne Blad 1a	000 ⇄ 255	0-100%
23	Blad 1b	000 ⇄ 255	0-100%
24	Fijne Blad 1b	000 ⇄ 255	0-100%
25	Blad 2a	000 ⇄ 255	0-100%
26	Fijne Blad 2a	000 ⇄ 255	0-100%
27	Blad 2b	000 ⇄ 255	0-100%
28	Fijne Blad 2b	000 ⇄ 255	0-100%
29	Blad 3a	000 ⇄ 255	0-100%
30	Fijne Blad 3a	000 ⇄ 255	0-100%
31	Blad 3b	000 ⇄ 255	0-100%
32	Fijne Blad 3b	000 ⇄ 255	0-100%
33	Blad 4a	000 ⇄ 255	0-100%
34	Fijne Blad 4a	000 ⇄ 255	0-100%
35	Blad 4b	000 ⇄ 255	0-100%
36	Fijne Blad 4b	000 ⇄ 255	0-100%
37	Omlijsting Roterend	000 ⇄ 255	0-100%
38	Fijne Omlijsting Roterend	000 ⇄ 255	0-100%
39	Focus	000 ⇄ 255	0-100%
40	Fine Focus	000 ⇄ 255	0-100%
41	Auto Focus	000 ⇄ 010 011 ⇄ 030 031 ⇄ 050 051 ⇄ 070 071 ⇄ 090 091 ⇄ 110 111 ⇄ 130 131 ⇄ 150 151 ⇄ 170 171 ⇄ 190 191 ⇄ 210 211 ⇄ 255	Geen functie 0-5 m 6 m 7 m 8 m 9 m 10 m 12,5 m 15 m 17,5 m 20-60 m Automatische detectie afstand
42	Zoom	000 ⇄ 255	Breed naar smal
43	Fijne Zoom	000 ⇄ 255	0-100%
44	Prisma	000 ⇄ 004 005 ⇄ 255	Geen functie PrismaEffect
45	Prisma roteren	000 ⇄ 127 128 ⇄ 189 190 ⇄ 193 194 ⇄ 255	Roterende positie Roteren met de klok mee, langzaam tot snel Stop Roteren tegen de klok in, snel tot langzaam
46	Iris	000 ⇄ 063 064 ⇄ 127 128 ⇄ 191  192 ⇄ 255	Groot tot klein Auto verandering, langzaam tot snel Langzaam inzoomen, snel uitzoomen (langzaam tot snel) Langzaam uitzoomen, snel inzoomen (langzaam tot snel)
47	Frost	000 ⇄ 255	0-100%
48	CMY Macro	000 ⇄ 009 010 ⇄ 255	Geen functie CMY macro
49	CMY macrosnelheid	000 ⇄ 255	langzaam tot snel

Kanaal	Functie	Waarde	Percentage/instelling
50	Control	000 ⇔ 007	Geen functie
		008 ⇔ 015	XY-verduistering
		016 ⇔ 023	C-verduistering
		024 ⇔ 031	G-verduistering
		032 ⇔ 039	XYC-verduistering
		040 ⇔ 047	XYG-verduistering
		048 ⇔ 055	XYCG-verduistering
		056 ⇔ 095	Geen functie
		096 ⇔ 103	X reset
		104 ⇔ 111	Y reset
		112 ⇔ 119	Kleurenreset
		120 ⇔ 127	Reset gobo en gobo roteren
		128 ⇔ 135	Geen functie
		136 ⇔ 143	Prismareset
		144 ⇔ 151	Omlijsting Reset
		152 ⇔ 159	Reset alle
		160 ⇔ 167	Iris reset
		168 ⇔ 175	Resetten frost
		176 ⇔ 183	Zoomherstel
		184 ⇔ 191	CMY reset
		192 ⇔ 199	Ventilator lage snelheid
		200 ⇔ 207	Ventilator volle snelheid
		208 ⇔ 215	Ventilator auto
		216 ⇔ 220	Beam correctie uit
		221 ⇔ 225	Iris snelle modus
		226 ⇔ 230	Iris soepele modus
231 ⇔ 235	XY-wissel aan		
236 ⇔ 240	XY-wissel uit		
241 ⇔ 245	Stralingscorrectie aan (verstelt de positie van gobo 1 in wiel #1)		
246 ⇔ 250	XY snelle modus		
251 ⇔ 255	XY soepele modus		



**33 Ch**

Kanaal	Functie	Waarde	Percentage/instelling
1	Zwenken	000 ⇄ 255	0-100%
2	Fijn zwenken	000 ⇄ 255	Fine control (16-bit)
3	Kantelen	000 ⇄ 255	0-100%
4	Fijn kantelen	000 ⇄ 255	Fine control (16-bit)
5	Zwenk-/kantelsnelheid	000 ⇄ 255	0-100%
6	Dimmer	000 ⇄ 255	0-100%
7	Sluiter	000 ⇄ 003	Gesloten
		004 ⇄ 007	Open
		008 ⇄ 076	Langzaam tot snel
		077 ⇄ 145	Pulseffect van langzaam tot snel
		146 ⇄ 215	Willekeurig effect van langzaam tot snel
		216 ⇄ 255	Open
8	Virtuele sluiters	000 ⇄ 001	Geen functie
		002 ⇄ 128	Stroboscoop trillen , snel naar langzaam
		129 ⇄ 255	Vervagen in / verdwijnen, snel naar langzaam
9	Cyaan	000 ⇄ 255	0-100%
10	Magenta	000 ⇄ 255	0-100%
11	Geel	000 ⇄ 255	0-100%
12	CTO	000 ⇄ 255	0-100%
13	Kleurenwiel	000 ⇄ 006	Open
		007 ⇄ 013	Rood
		014 ⇄ 020	Oranje
		021 ⇄ 027	Groen
		028 ⇄ 034	Blauw
		035 ⇄ 041	Magenta
		042 ⇄ 048	CTO
		049 ⇄ 059	UV
		060 ⇄ 187	Gespleten kleuren
		188 ⇄ 219	Kleurwijziging met de klok mee, snel tot langzaam
		220 ⇄ 223	Stop
		224 ⇄ 255	Kleurwijziging tegen de klok in, langzaam tot snel
		14	Gobo-wiel 1
009 ⇄ 017	Gobo 1 (Circuits)		
018 ⇄ 026	Gobo 2 (Ring of Rings)		
027 ⇄ 035	Gobo 3 (Checker Vortex)		
036 ⇄ 044	Gobo 4 (Triangle)		
045 ⇄ 053	Gobo 5 (Star Field)		
054 ⇄ 063	Gobo 6 (Lenticular Glass)		
064 ⇄ 073	Gobo 6 schudden		
074 ⇄ 082	Gobo 5 schudden		
083 ⇄ 091	Gobo 4 schudden		
092 ⇄ 100	Gobo 3 schudden		
101 ⇄ 109	Gobo 2 schudden		
110 ⇄ 118	Gobo 1 schudden		
119 ⇄ 127	Open		
128 ⇄ 191	Gobowijziging met de klok mee, snel tot langzaam		
192 ⇄ 255	Gobowijziging tegen de klok in, langzaam tot snel		
15	Gobo roterend 1	000 ⇄ 063	Roterende gobo index
		064 ⇄ 145	Roteren met de klok mee, langzaam tot snel
		146 ⇄ 149	Stop
		150 ⇄ 231	Tegen de klok in roteren, langzaam tot snel
		232 ⇄ 255	Stuitereffect

Kanaal	Functie	Waarde	Percentage/instelling
16	Gobo-wiel 2	000 ⇔ 008	Open
		009 ⇔ 017	Gobo 1 (Spiral)
		018 ⇔ 026	Gobo 2 (Dot Chiclets)
		027 ⇔ 035	Gobo 3 (Splat Breakup)
		036 ⇔ 044	Gobo 4 (Wavy Bar)
		045 ⇔ 053	Gobo 5 (Shower Glass)
		054 ⇔ 063	Gobo 6 (Lenticular Glass)
		064 ⇔ 073	Gobo 6 schudden
		074 ⇔ 082	Gobo 5 schudden
		083 ⇔ 091	Gobo 4 schudden
		092 ⇔ 100	Gobo 3 schudden
		101 ⇔ 109	Gobo 2 schudden
		110 ⇔ 118	Gobo 1 schudden
		119 ⇔ 127	Open
128 ⇔ 191	Gobowijziging met de klok mee, snel tot langzaam		
192 ⇔ 255	Gobowijziging tegen de klok in, langzaam tot snel		
17	Gobo roterend 2	000 ⇔ 063	Roterende gobo index
		064 ⇔ 145	Roteren met de klok mee, langzaam tot snel
		146 ⇔ 149	Stop
		150 ⇔ 231	Tegen de klok in roteren, langzaam tot snel
		232 ⇔ 255	Stuitereffect
18	Blad 1a	000 ⇔ 255	0-100%
19	Blad 1b	000 ⇔ 255	0-100%
20	Blad 2a	000 ⇔ 255	0-100%
21	Blad 2b	000 ⇔ 255	0-100%
22	Blad 3a	000 ⇔ 255	0-100%
23	Blad 3b	000 ⇔ 255	0-100%
24	Blad 4a	000 ⇔ 255	0-100%
25	Blad 4b	000 ⇔ 255	0-100%
26	Omlijsting Roterend	000 ⇔ 255	0-100%
27	Focus	000 ⇔ 255	0-100%
28	Zoom	000 ⇔ 255	Breed naar smal
29	Prisma	000 ⇔ 004	Geen functie
		005 ⇔ 255	PrismaEffect
30	Prisma roteren	000 ⇔ 127	Roterende positie
		128 ⇔ 189	Roteren met de klok mee, langzaam tot snel
		190 ⇔ 193	Stop
		194 ⇔ 255	Roteren tegen de klok in, snel tot langzaam
31	Iris	000 ⇔ 063	Groot tot klein
		064 ⇔ 127	Auto verandering, langzaam tot snel
		128 ⇔ 191	Langzaam inzoomen, snel uitzoomen (langzaam tot snel)
		192 ⇔ 255	Langzaam uitzoomen, snel inzoomen (langzaam tot snel)
32	Frost	000 ⇔ 255	0-100%

Kanaal	Functie	Waarde	Percentage/instelling
33	Control	000 ⇔ 007	Geen functie
		008 ⇔ 015	XY-verduistering
		016 ⇔ 023	C-verduistering
		024 ⇔ 031	G-verduistering
		032 ⇔ 039	XYC-verduistering
		040 ⇔ 047	XYG-verduistering
		048 ⇔ 055	XYCG-verduistering
		056 ⇔ 095	Geen functie
		096 ⇔ 103	X reset
		104 ⇔ 111	Y reset
		112 ⇔ 119	Kleurenreset
		120 ⇔ 127	Reset gobo en gobo roteren
		128 ⇔ 135	Geen functie
		136 ⇔ 143	Prismareset
		144 ⇔ 151	Omlijsting Reset
		152 ⇔ 159	Reset alle
		160 ⇔ 167	Iris reset
		168 ⇔ 175	Resetten frost
		176 ⇔ 183	Zoomherstel
		184 ⇔ 191	CMY reset
		192 ⇔ 199	Ventilator lage snelheid
		200 ⇔ 207	Ventilator volle snelheid
		208 ⇔ 215	Ventilator auto
216 ⇔ 220	Beam correctie uit		
221 ⇔ 225	Iris snelle modus		
226 ⇔ 230	Iris soepele modus		
231 ⇔ 235	XY-wissel aan		
236 ⇔ 240	XY-wissel uit		
241 ⇔ 245	Stralingscorrectie aan (verstelt de positie van gobo 1 in wiel #1)		
246 ⇔ 250	XY snelle modus		
251 ⇔ 255	XY soepele modus		

Contact Us

General Information	Technical Support
<b>Chauvet World Headquarters</b>	
Address: 5200 NW 108th Ave. Sunrise, FL 33351 Voice: (954) 577-4455 Fax: (954) 929-5560 Toll Free: (800) 762-1084	Voice: (844) 393-7575 Fax: (954) 756-8015 Email: <a href="mailto:chauvetcs@chauvetlighting.com">chauvetcs@chauvetlighting.com</a> Website: <a href="http://www.chauvetprofessional.com">www.chauvetprofessional.com</a>
<b>Chauvet Europe Ltd</b>	
Address: Unit 1C Brookhill Road Industrial Estate Pinxton, Nottingham, UK NG16 6NT Voice: +44 (0) 1773 511115 Fax: +44 (0) 1773 511110	Email: <a href="mailto:UKtech@chauvetlighting.eu">UKtech@chauvetlighting.eu</a> Website: <a href="http://www.chauvetprofessional.eu">www.chauvetprofessional.eu</a>
<b>Chauvet Europe BVBA</b>	
Address: Stokstraat 18 9770 Kruishoutem Belgium Voice: +32 9 388 93 97	Email: <a href="mailto:BNLtech@chauvetlighting.eu">BNLtech@chauvetlighting.eu</a> Website: <a href="http://www.chauvetprofessional.eu">www.chauvetprofessional.eu</a>
<b>Chauvet France</b>	
Address: 3, Rue Ampère 91380 Chilly-Mazarin France Voice: +33 1 78 85 33 59	Email: <a href="mailto:FRtech@chauvetlighting.fr">FRtech@chauvetlighting.fr</a> Website: <a href="http://www.chauvetprofessional.eu">www.chauvetprofessional.eu</a>
<b>Chauvet Germany</b>	
Address: Bruno-Bürgel-Str. 11 28759 Bremen Germany Voice: +49 421 62 60 20	Email: <a href="mailto:DEtech@chauvetlighting.de">DEtech@chauvetlighting.de</a> Website: <a href="http://www.chauvetprofessional.eu">www.chauvetprofessional.eu</a>
<b>Chauvet Mexico</b>	
Address: Av. de las Partidas 34 - 3B (Entrance by Calle 2) Zona Industrial Lerma Lerma, Edo. de México, CP 52000 Voice: +52 (728) 690-2010	Email: <a href="mailto:servicio@chauvet.com.mx">servicio@chauvet.com.mx</a> Website: <a href="http://www.chauvetprofessional.mx">www.chauvetprofessional.mx</a>

Visit the applicable website above to verify our contact information and instructions to request support. Outside the U.S., United Kingdom, Ireland, Benelux, France, Germany, or Mexico, contact the dealer of record.



UL 1573  
CSA C22.2 No. 166  
E113093

