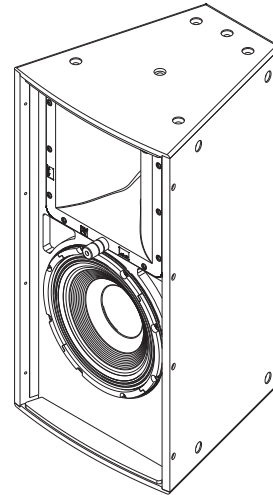


# EVF-1122S/66



# Electro-Voice

- Coverage Pattern: 60° x 60° Constant Directivity 12-inch Rotatable Waveguide
- Passive System: 98 dB Sensitivity, 131 dB Maximum SPL
- System Rating: 500 W Continuous, (2000 W Peak)
- PI and FG Version are Standard with Gland Nut and Stainless Steel Grille
- EN54-24 type B certification 1438/CPR/0283 (**Only available in select regions**)



The Electro-Voice EVF-1122S/66 is a high power, two-way front loaded loudspeaker system that can be used in a variety of applications where high quality sound reinforcement is required in a compact, lightweight package.

For high frequencies, the EVF-1122S/66 utilizes the ND2B high output 2-inch titanium compression driver, coupled to a rotatable Constant Directivity 60° x 60° waveguide. For low frequencies, the SMX2121 12-inch woofer was developed using FEA optimization for motor, suspension, and electrical design to ensure very low distortion, high efficiency, and maximum intelligibility at high SPL. The crossover uses steep 24-dB per-octave slopes with equalization for very smooth response in the vocal range, linear off-axis response, and an HF protection circuit for long term reliability.

The EVF-1122S/66 features make it ideal for many fixed-install applications. The trapezoidal enclosure is constructed out of weather-resistant birch and coated with EVCoat for enhanced durability. For protection against outdoor elements, weatherized versions are available (PI and FG). The enclosure is built with 22 M10 suspension points; 20 for single hang (four (4) shoulder eyebolts included) or cluster arrays (optional HRK or VRK kits) and two (2) for single hang with a U-bracket (optional EVF-UB).

The innovative input panel provides Phoenix-style connectors (included in all models) and a dual gland nut cover plate (CDG included in PI and FG models). For convenience in temporary installation you may add a dual NL4 type connector cover plate (CDNL4). An

external easy to access jumper card is provided with each loudspeaker to assist you in the selection of passive (standard shipping configuration) or biamp operation. An available 70.7/100 Volt internal transformer kit (TK-150) may be easily mounted to the input panel for use in distributed systems.

No matter what the application and budget, all these features provide you with the tools to increase flexibility during system design to meet and support your customer's requirements with fewer items in inventory.

EVF and EVH loudspeakers feature precise acoustics and rigging design for easy to configure vertical and horizontal clusters as part of the solutions provided in the EV innovation family.

## Technical specifications

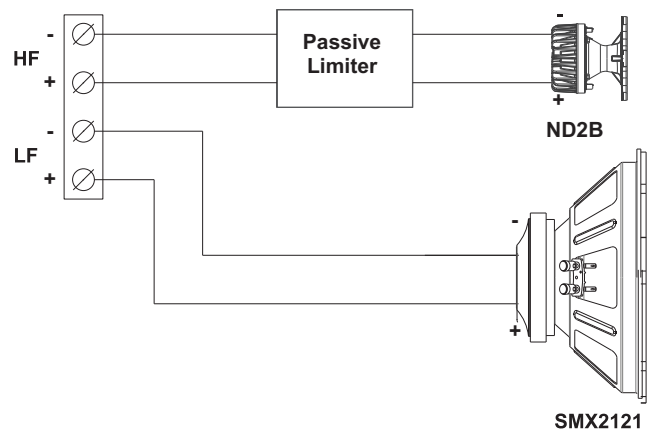
<b>Frequency Response (-3 dB):</b>	58 Hz – 16 kHz <sup>1</sup>		
<b>Frequency Range (-10 dB):</b>	49 Hz – 19 kHz <sup>1</sup>		
<b>Rotatable Coverage:</b>	60° x 60°		
<b>Rec. High-pass Frequency:</b>	65 Hz		
<b>Passive Crossover Frequency:</b>	1450 Hz		
<b>Axial Sensitivity:</b>	98 dB (1W/1m) <sup>1</sup>		
<b>Max. Calculated SPL:</b>	131 dB <sup>1</sup>		
<b>Passive Power Handling:</b>	500 W Continuous, 2000 W Peak <sup>2</sup>		
<b>Impedance:</b>	8 Ω (nominal), 6.0 Ω (min)		
<b>Transformer: Standard 50 Hz BW24 High-pass</b>	<b>70 V</b>	<b>100 V</b>	<b>Z nom</b>
	37.5 W	75 W	130 Ω
	75 W	150 W	65 Ω
<b>Transformer: 89 Hz High-pass per EN54-24 Spectrum</b>	<b>70 V</b>	<b>100 V</b>	<b>Z nom</b>
	50 W	100 W	100 Ω
	100 W	200 W	50 Ω
	200 W	400 W	25 Ω
	150 W	Do Not Use	33 Ω
<b>LF Transducer - SMX2121, 12 in (305 mm) driver</b>			
<b>LF Axial Sensitivity:</b>	99 dB (1W/1m) <sup>4</sup>		
<b>LF Max. Calculated SPL:</b>	131 dB		
<b>LF Power Handling:</b>	400 W Continuous, 1600 W Peak		
<b>LF Impedance:</b>	8 Ω (nominal), 6.3 Ω (min) <sup>3</sup>		
<b>HF Transducer - ND2B, 2 in (51 mm) diaphragm compression driver</b>			
<b>HF Axial Sensitivity:</b>	112 dB (1W/1m) <sup>4</sup>		
<b>HF Max. Calculated SPL:</b>	134 dB		
<b>HF Power Handling:</b>	40 W Continuous, 160 W Peak		
<b>HF Impedance:</b>	8 Ω (nominal), 7.4 Ω (min) <sup>3</sup>		
<b>Connectors:</b>	Dual four pin 10 AWG Phoenix/EuroBlock Style Screw Terminal	PI/FG versions: CDG Dual Gland Nut Input Panel Cover Included	
<b>Enclosure:</b>	13-ply weather-resistant birch with EVCoat	FG version: 13-ply weather-resistant birch with fiberglass finish	
<b>Grille:</b>	16 GA power coated galvaneal with, removable logo	PI/FG versions: Stainless steel with hydrophobic cloth	

<b>Environmental:</b>	IEC 60529 IP55 for PI and FG versions
<b>Suspension:</b>	(22) M10 threaded suspension points (4) shoulder eyebolts and (4) fender washers (included)
<b>Dimensions (H x W x D):</b>	30.26 in x 16.00 in x 16.27 in (768.6 mm x 406.3 mm x 413.3 mm)
<b>Net Weight:</b>	63.1 lb (28.6 kg)
<b>Shipping Weight:</b>	73.4 lb (33.3 kg)

1. Half-space measurement.
2. EIA RS-426A, tested for eight hours.
3. AES 2-1984, tested for eight hours.
4. Arithmetic averages, 300-1,450 Hz (LF) and 1,450-5,000 Hz (HF).

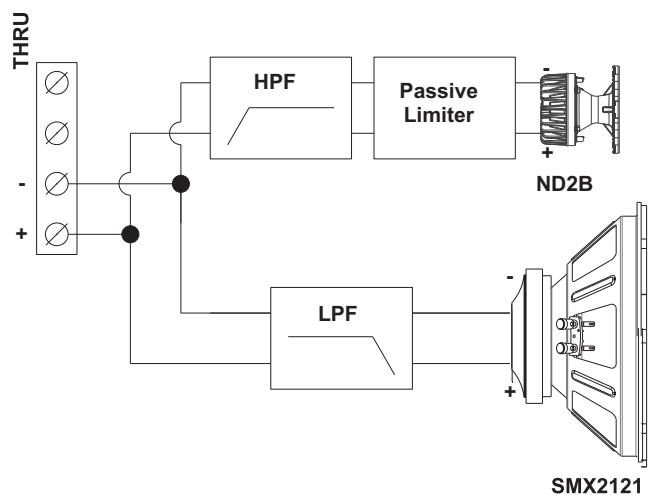
## System overview

### Block Diagram (Biamp):

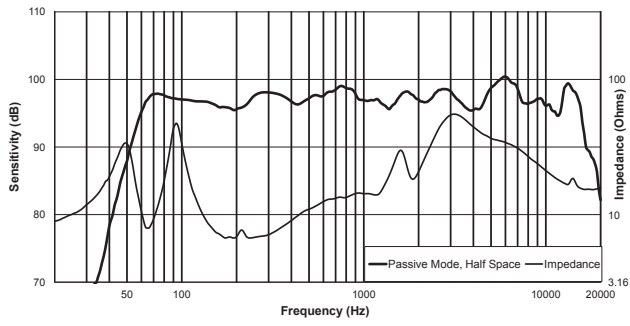


### Block Diagram (Passive):

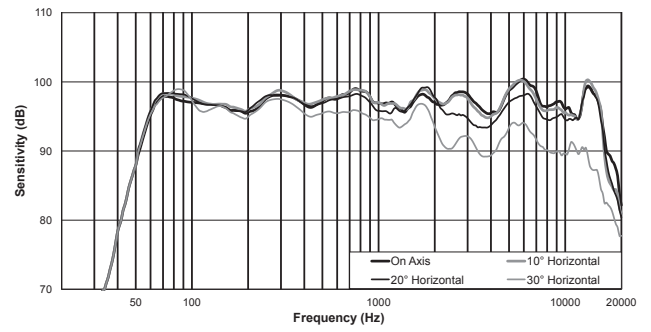
Standard shipping configuration



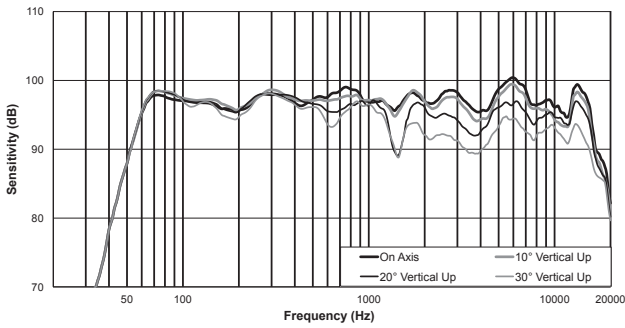
**Frequency Response and Impedance:**



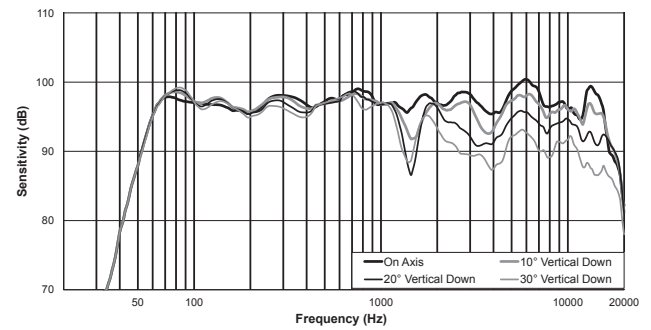
**Horizontal Off-Axis Frequency Response:**



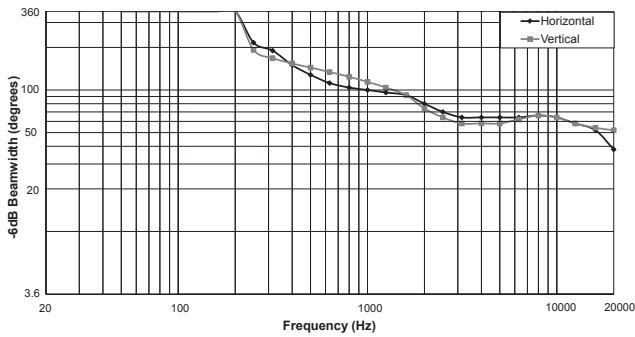
**Vertical Off-Axis Frequency Response (Up):**



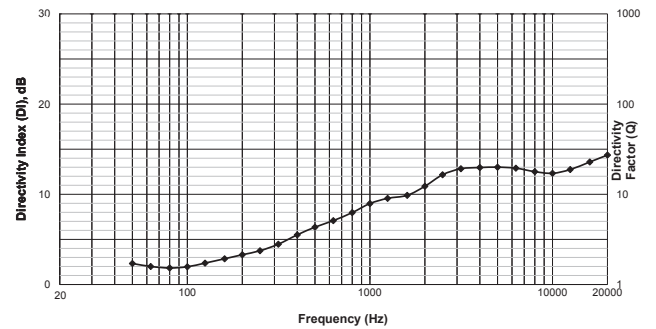
**Vertical Off-Axis Frequency Response (Down):**



**Beamwidth:**



**Directivity:**



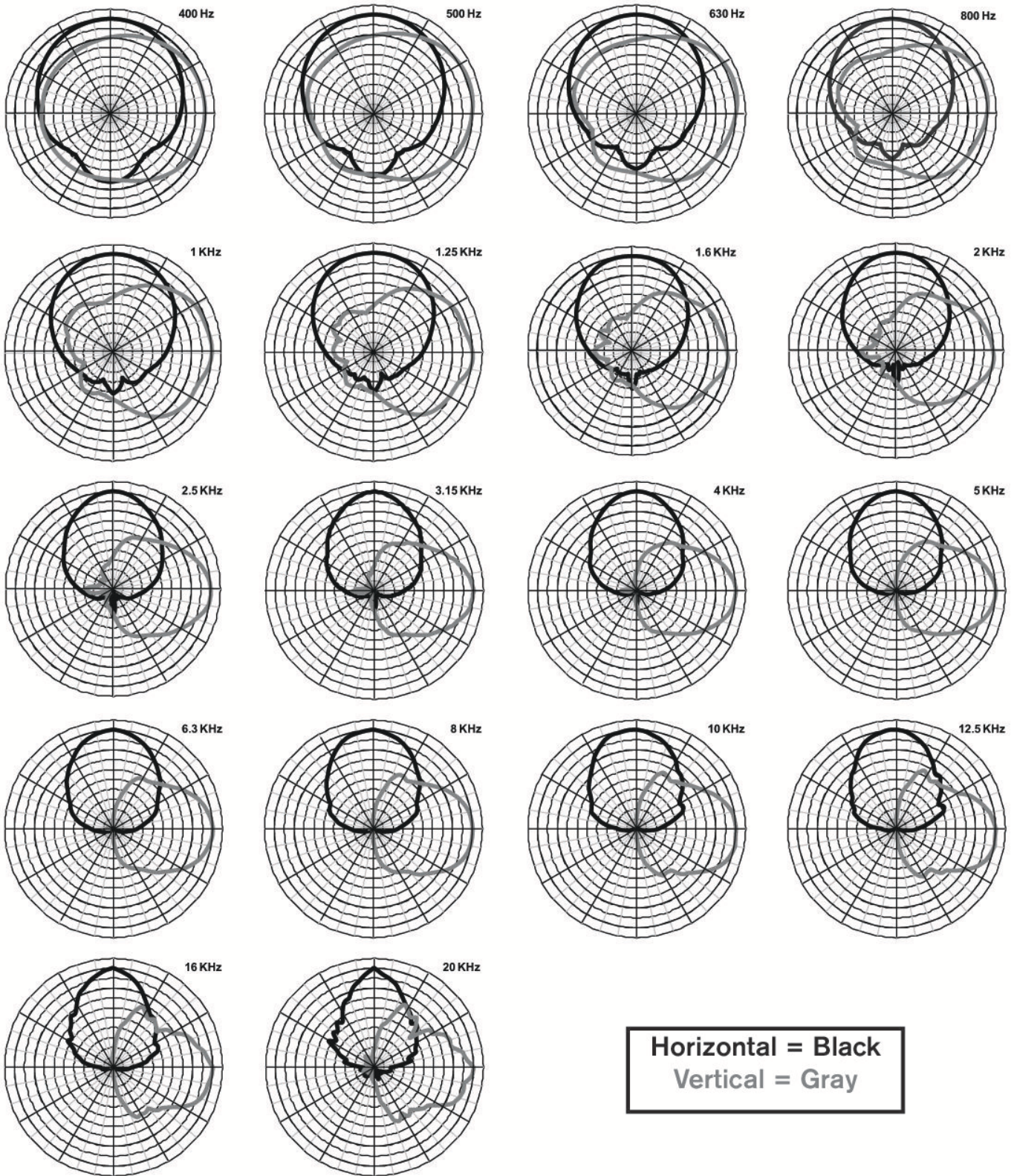
**Caution!**

This Electro-Voice loudspeaker should be suspended overhead only in accordance with the procedures and limitations specified in the User's Manual and possible manual update notices. This system should be suspended with certified rigging hardware by an authorized rigging professional and in compliance with local, state, and federal overhead suspension ordinances.

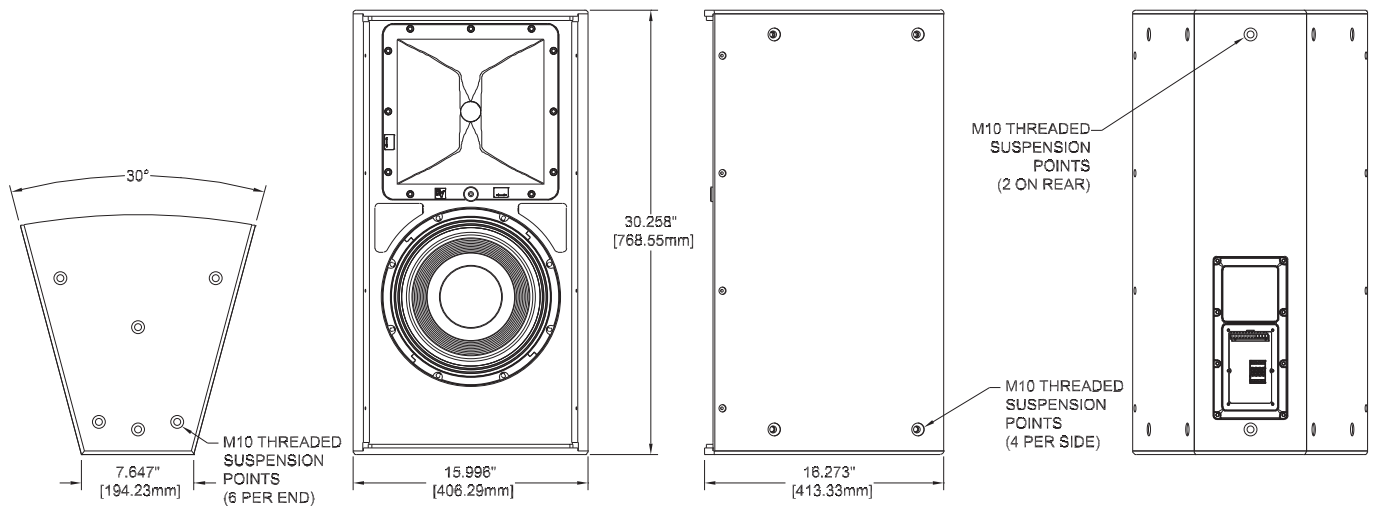




**Horizontal and Vertical Polar Response (Passive):**  
Polar plots (1/3 octave)



**Dimension Drawing:**



**Notice!**



Acoustic measurement reference axis is 16 in (40.64 cm) up from the bottom and centered horizontally on the grille.

Compatible System Solutions:

EVF-1122S/64	60° x 40° Coverage
EVF-1122S/94	90° x 40° Coverage
EVF-1122S/96	90° x 60° Coverage
EVF-1122S/99	90° x 90° Coverage
EVF-1122S/126	120° x 60° Coverage
EVF-1152S/43	40° x 30° Coverage
EVF-1152S/64	60° x 40° Coverage
EVF-1152S/66	60° x 60° Coverage
EVF-1152S/94	90° x 40° Coverage
EVF-1152S/96	90° x 60° Coverage
EVF-1152S/99	90° x 90° Coverage
EVF-1121S	12" Bass Element
EVF-2121S	2 x 12" Bass Element
EVF-1151S	15" Bass Element
EVF-2151D	2 x 15" Bass Element
EVF-1181S	18" Bass Element
CPS2.12	CPS2.12 Power Amplifier <sup>5</sup>
CPS4.5	CPS4.5 Power Amplifier <sup>5</sup>
CPS4.10	CPS4.10 Power Amplifier <sup>5</sup>

5. Contact your sales representative for voltage information.

**Certifications and approvals**



EN54-24 type B certification 1438/CPR/0283 (Only available in select regions)

**Ordering information**

**EVF-1122S/66-BLK**

EVF 12" / 2-way Full-range Systems; SMX woofer & ND2B driver (500 W cont.) 60° x 60°, EVCoat, black  
Order number **EVF1122S66BLB**

**EVF-1122S/66-WHT**

EVF 12" / 2-way Full-range Systems; SMX woofer & ND2B driver (500 W cont.) 60° x 60°, EVCoat, white  
Order number **EVF1122S66WHLB**

**EVF-1122S/66-PIB**

EVF 12" / 2-way Full-range Systems; SMX woofer & ND2B driver (500 W cont.) 60° x 60°, EVCoat, PI-weatherized, black  
Order number **EVF1122S66PBLB**



**EVF-1122S/66-PIW**

EVF 12" / 2-way Full-range Systems; SMX woofer & ND2B driver (500 W cont.) 60° x 60°, EVCoat, PI-weatherized, white

Order number **EVF1122S66PWL B**

---

**EVF-1122S/66-FGB**

EVF 12" / 2-way Full-range Systems; SMX woofer & ND2B driver (500 W cont.) 60° x 60°, EVCoat, fiberglass, black

Order number **EVF1122S66FBL B**

---

**EVF-1122S/66-FGW**

EVF 12" / 2-way Full-range Systems; SMX woofer & ND2B driver (500 W cont.) 60° x 60°, EVCoat, fiberglass, white

Order number **EVF1122S66FWL B**

---

**EVF-1122S/66-BLK**

EVF 12" / 2-way Full-range Systems; SMX woofer & ND2B driver (500 W cont.) 60° x 60°, EVCoat, black – EN54-24 certified

Order number **EVF1122S66BLK E**

---

**EVF-1122S/66-WHT**

EVF 12" / 2-way Full-range Systems; SMX woofer & ND2B driver (500 W cont.) 60° x 60°, EVCoat, white – EN54-24 certified

Order number **EVF1122S66WHT E**

---

**EVF-1122S/66-PIB**

EVF 12" / 2-way Full-range Systems; SMX woofer & ND2B driver (500 W cont.) 60° x 60°, EVCoat, PI-weatherized black – EN54-24 certified

Order number **EVF1122S66PIB E**

---

**EVF-1122S/66-PIW**

EVF 12" / 2-way Full-range Systems; SMX woofer & ND2B driver (500 W cont.) 60° x 60°, EVCoat, PI-weatherized white SMX&ND2B - 500 W cont. – EN54-24 certified

Order number **EVF1122S66PIW E**

---

**Accessories**

**CSG**

Single gland nut cover kit for EVA, EVF & EVH

Order number **CSG-LB**

---

**CDG**

Dual gland nut cover kit for EVA, EVF & EVH

Order number **CDG-LB**

---

**CDNL4**

Dual NL4 cover kit for EVA, EVF & EVH

Order number **CDNL4-LB**

---

**TK-150**

Transformer kit for EVF & EVH, 150W / 70V

Order number **TK-150**

---

**Black EVF U Bracket**

Mounting bracket for EVF. black

Order number **EVF-UB-BLK-LB**

---

**White EVF U Bracket**

Mounting bracket for EVF. white

Order number **EVF-UB-WHT-LB**

---

**HRK-1B**

Horizontal rigging kit for EVF, black

Order number **HRK-1B-LB**

---

**HRK-1W**

Horizontal rigging kit for EVF, white

Order number **HRK-1W-LB**

---

**HRK-2B**

Horizontal rigging kit for EVF & EVH full-range to EVF sub, black

Order number **HRK-2B-LB**

---

**HRK-2W**

Horizontal rigging kit for EVF & EVH full-range to EVF sub, white

Order number **HRK-2W-LB**

---

**VRK-1B**

Vertical rigging kit for EVF, black

Order number **VRK-1B-LB**

---

**VRK-1W**

Vertical rigging kit for EVF, white

Order number **VRK-1W-LB**

---

**VRK-2B**

Vertical rigging kit for EVF & EVH full-range to EVF subs, black

Order number **VRK-2B-LB**

---

**VRK-2W**

Vertical rigging kit for EVF & EVH full-range to EVF subs, white

Order number **VRK-2W-LB**

---

**Represented by:**

---

**Germany:**

Bosch Sicherheitssysteme GmbH  
Robert-Bosch-Ring 5  
85630 Grasbrunn  
Germany

Bosch Security Systems, Inc.  
12000 Portland Avenue South  
Burnsville MN 55337  
USA

[www.electrovoice.com](http://www.electrovoice.com)