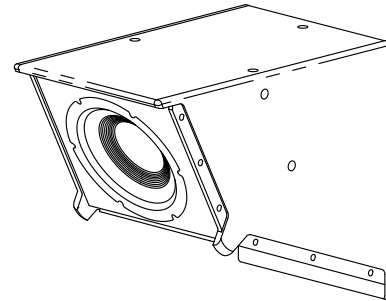




EVC-1122-VI 12" speaker, vari-intense indoor

- 12-inch two-way loudspeaker with asymmetrical horn uniformly covers a defined rectangular area
- Power rating: 300 W Continuous, (1200 W Peak)
- Optional high quality transformer and patented Automatic Saturation Control (ASC) preserve low end in 70V/100V lines



EVC loudspeakers from Electro-Voice are two-way systems that can be used in a broad range of applications where wide bandwidth, vertical and horizontal directivity control, and high efficiency are required in a compact, cost-effective package. EVC loudspeakers are voiced to complement other EV-Innovation models (EVF, EVH, EVA). The EVC-1122/VI is a unique offering that is constructed in a variable-intensity (VI) configuration. In a variable intensity loudspeaker, the downward angle of the front-facing woofer and the asymmetrical wave guide work together to evenly cover a clearly defined, rectangular audience area with a single loudspeaker system. The size of the coverage area is determined by the mounting height and the vertical mounting angle of the loudspeaker. The advantage of the VI approach is that there is reduced variation in sound level from the front to the back of the audience, compared to typical point source solutions. In most situations, the change is so gradual that the sound level will seem almost constant as you walk the coverage pattern. The EVC-1122/VI delivers clear, articulate speech reproduction but, in addition, is an excellent choice for foreground music applications. It can be used as a stand-alone full-range system, or as the mid-bass/high-frequency box in multi-way loudspeaker systems when used with the complementary EVC-1181S 18" subwoofer. The high frequency section of the EVC 1122/VI loudspeaker comprises a single 1¼-inch pure titanium dome compression driver directly coupled to a compound waveguide that combines long-throw and

short-throw behavior in a single acoustical device. This unique waveguide creates uniform pattern control and smooth, linear response.

The low frequency section employs a high-output woofer that was developed using state-of-the-art, computer-aided optimization to provide low distortion, high efficiency, and maximum intelligibility at high sound pressure levels. The passive crossover implements a fourth-order Linkwitz Riley design with slopes of 24 dB per octave for smooth off-axis response and improved definition through the critical vocal range.

The EVC series is an extremely cost effective solution for many fixed-install applications. The enclosures are constructed of weather-resistant plywood and finished with EVCoat for enhanced durability. The EVC-1122/VI has been designed with three M10 rigging points as well as attachment points for an optional U-bracket that can be mounted to the ceiling or the wall behind the loudspeaker. All EVC series loudspeakers accept wire gauges up to 10 AWG. The input panel also accepts optional covers with NL4-type connectors or weatherized gland-nuts.

For 70V/100V operation, the input panel has an internal landing pad for mounting EV's high-quality TK150 audio transformer. Adding a TK150 to the EVC input panel engages EV's patented Automatic Saturation Compensation (ASC), which preserves low frequency performance while presenting a stable load to the amplifier regardless of how many loudspeakers

2 | EVC-1122-VI 12" speaker, vari-intense indoor

are connected in parallel. This results in transformer and non-transformer EVC loudspeakers that sound virtually identical.

Technical specifications

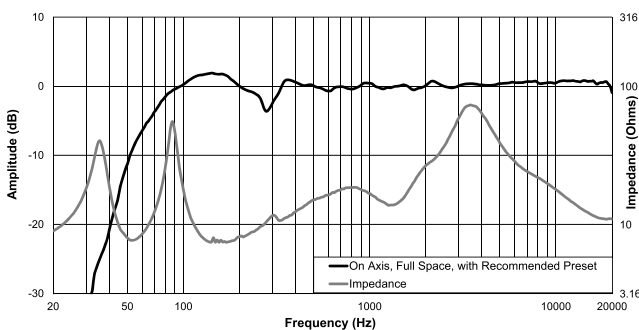
Frequency response (-3 dB) ^{1,3} :	70 Hz - 20 kHz
Frequency range (-10 dB) ^{1,3} :	50 Hz - 25 kHz
Rec. high-pass frequency:	45 Hz
Passive crossover frequency:	1.6 kHz
Axial sensitivity ¹ :	95 dB (1 W/1 m)
Max. calculated SPL:	126 dB ¹
Power handling ² :	300 W (Continuous), 1200 W (Peak)
Nominal impedance:	8 Ω
Minimum impedance:	7 Ω
LF transducer:	EVS-12M
HF transducer:	DH-3
Connectors:	Dual four-pin 10 AWG Phoenix/ Euro Block screw-terminals
Enclosure:	15-mm plywood with EVCoat
Grille:	18 GA powder-coated steel with rotatable logo
Environmental:	IEC 60529, IP44
Suspension:	(8) M10 suspension points
Color:	Black or white
Dimensions (H x W x D):	528 mm x 411 mm x 648 mm (20.78 in x 16.18 in x 25.50 in)
Net weight:	21.8 kg (48.1 lb)
Shipping weight:	24.4 kg (53.9 lb)

¹Full-space measurement.

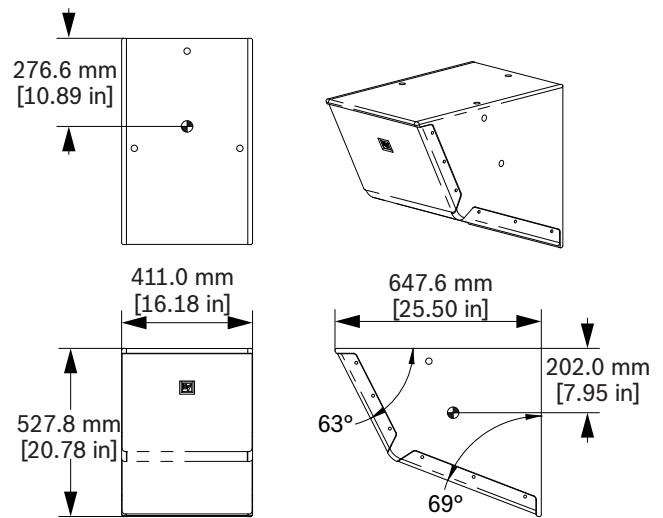
²EIA RS-426A, tested for eight hours.

³With recommended preset.

Frequency response and impedance:



Dimensions:



Architectural and engineering specifications:

The loudspeaker shall be a two-way passive system with Euro block input connectors that accept wire sizes up to AWG 10. The two Euro block connectors on the input panel should be configured for a speaker-level, two-conductor input that is connected in parallel to terminals on a second Euro block connector so that additional loudspeakers can be connected in parallel.

The remaining pair of terminals on each of the two connectors should be configured for a pass-through audio connection. The input panel should also be able to accept NL4-type connectors or be adapted for weather-proof single or dual gland nuts when fitted with an accessory input adapter plate.

The input panel should include a landing pad and appropriate electrical connections on the inside of the loudspeaker cabinet so that the installer can mount and connect a high-quality audio transformer in series with the direct low-impedance connection to the loudspeaker dividing network. When the transformer is installed, the input circuit network shall be augmented with a high-pass filter with a current-dependent corner frequency in order to preserve the full bass response of the loudspeaker while protecting system amplifiers from the drop in load impedance that commonly occurs when audio transformers are driven into saturation.

The passive dividing network shall employ an enhanced 4th-order filter topology with response-shaping equalization and high frequency protection, resulting in acoustical crossover slopes of 24 dB per octave or steeper. The system shall have a 12-inch low-frequency transducer with a nominal impedance of 8 ohms, a 2-inch diameter voice coil. System continuous average power rating shall be 300 watts (per ANSI/EIA RS-426 A). The high-frequency section shall employ a compression driver with a 1.25-inch voice coil and 1.25-inch titanium diaphragm, mounted on a compound waveguide that has been optimized to evenly cover a rectangular listening area, the

dimensions of which are determined by the mounting height and aiming angle of the loudspeaker. The loudspeaker enclosure shall be constructed of 15-mm plywood. The speaker is designed to be oriented with the compound horn on the underside of the cabinet and the woofer set at an angle on the front face of the cabinet. The enclosure shall be finished with a polyurea coating. The grille shall be constructed from 18 GA powder-coated cold-rolled steel backed with acoustically transparent fabric [PI: 18 GA stainless steel backed with acoustically transparent hydrophobic cloth]. The system shall be capable of high-level operation with a bandwidth of 70 Hz to 20 kHz (-3 dB down point). The system dimensions shall be 411.0 mm (16.18 in) wide by 527.8 mm (20.78 in) high by 647.6 mm (25.50 in) deep. The system shall employ facilities for mounting with a U-bracket or pan/tilt wall bracket, as well as facilities for suspension from M10 mounting points. Net weight shall be 21.8 kg (48.1 lb). The loudspeaker shall be the EVC-1122-VIB or C-1122-VIW from Electro-Voice.

Compatible System Solutions, Electronics:

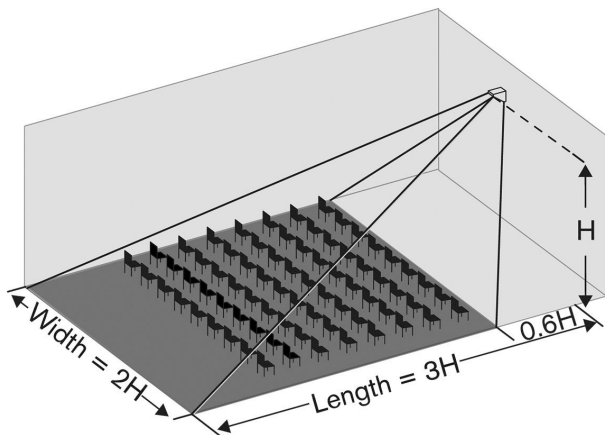
L2800FD DSP power amplifier 2x1400W

C2800FDi DSP power amplifier 2x1400W, install

System overview

Variable Intensity (VI) coverage pattern (3-2-1 rule):

If speaker mount-height = H, then coverage length = 3H, coverage width = 2H and first row coverage = 1H



Ordering information

EVC-1122-VIB 12" speaker, vari-intense indoor, black

Two-way loudspeaker with even rectangular coverage, IP44, EVCoat black

Order number **EVC-1122-VIB**

EVC-1122-VIW 12" speaker, vari-intense indoor, white

Two-way loudspeaker with even rectangular coverage, IP44, EVCoat white

Order number **EVC-1122-VIW**

Accessories

EVC-UB3-BLK U-bracket for EVC-1122/VI, black

U-Bracket for EVC Variable Intensity loudspeaker, black

Order number **EVC-UB3-BLK**

EVC-UB3-WHT U-bracket for EVC-1122/VI, white

U-Bracket for EVC Variable Intensity loudspeaker, white

Order number **EVC-UB3-WHT**

CDG-LB

Dual gland nut cover kit for EVA, EVC, EVF & EVH

Order number **CDG-LB**

CDNL4-LB

Dual NL4 cover kit for EVA, EVC, EVF & EVH, black

Order number **CDNL4-LB**

CSG-LB

Single gland nut cover kit for EVA, EVC, EVF & EVH, black

Order number **CSG-LB**

EBK-M10-3PACK

Forged M10 eyebolt kit, set of 3

Order number **EBK-M10-3PACK**

TK-150

Transformer kit for EVC, EVF, and EVH, 150W/70V

Order number **TK-150**

Represented by:

Germany:
Bosch Sicherheitssysteme GmbH
Robert-Bosch-Ring 5
85630 Grasbrunn
Germany

Bosch Security Systems, Inc.
12000 Portland Avenue South
Burnsville MN 55337
USA

www.electrovoice.com