

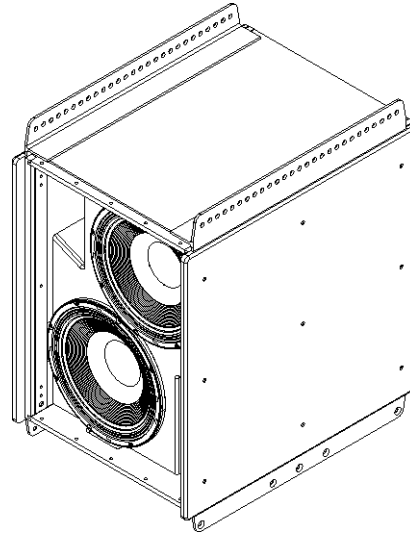
EVA-2151D

Dual 15in Subwoofer Line Array Module



Key Features

- Designed to rig with EVA full range modules
- Hidden suspension hardware (included) is aesthetically pleasing
- Two (2) finishes available—standard and PI
- 100dB sensitivity
- 1000W continuous power capacity (4,000W peak)
- 130/136dB maximum SPL (continuous/peak)
- EVADA (EVA Design Assistant) software tool available



General Description

The Electro-Voice EVA-2151D is a high-power, dual 15in, front loaded subwoofer module for use with EVA full-range line-array modules. It is designed to be arrayed at the top of an EVA full-range array using the EVA-EG2 grid (sold separately). Up to two (2) EVA-2151D subwoofers and five (5) EVA full range modules may be flown in this configuration from a single hang point. Standalone subwoofer arrays of up to four (4) EVA-2151D modules may also be flown from a single hang point using the EVA-EG2 grid. Massive standalone subwoofer arrays of up to eight (8) EVA-2151D modules are possible using a minimum of two (2) hang points if the array is kept perpendicular to the ground. For complete rigging information, refer to the EVA User Manual available at www.electrovoice.com.

The EVA-2151D has been designed exclusively for fixed installation applications. The dual DVX-3159A 15in woofers are specially designed for subwoofer duty to provide reliable low-frequency performance with solid impact and low distortion at high sound pressure levels. The enclosure is constructed of 18mm 13-ply birch plywood reinforced with internal steel rigging top to bottom and coated with EVCoat for durability and professional appearance. PI versions are available for indirect outdoor exposure. PI versions include the CDG dual gland nut input panel cover and stainless steel three-layer grille. The innovative input panel provides a choice of Phoenix/EuroBlock connectors, optional CDNL4 cover plate with dual NL4-type connectors, or the CSG single gland nut plate for use with cable. All external hardware is stainless steel. Intermodule tie plates are included with each EVA-2151D to facilitate rigging to either EVA full range modules or another EVA-2151D suspended underneath. Enclosure side panel covers conceal all suspension hardware and provide a smooth, monolithic appearance. For array design, refer to the EVA Design Assistant (EVADA) software, available at www.electrovoice.com.

Technical Specifications

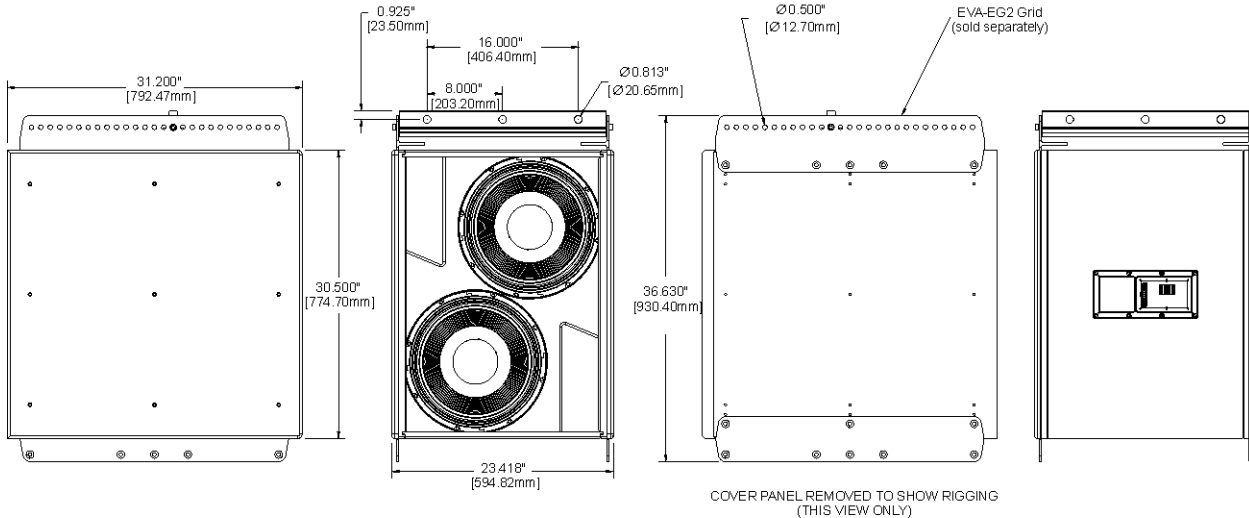
| | | |
|--|--|---|
| Frequency Response ¹ (-3dB) | 38Hz to 200Hz | |
| Frequency Range ¹ (-10dB) | 28Hz to 200Hz | |
| Rec. High-Pass Frequency | 32Hz, 24dB per Octave Butterworth | |
| Axial Sensitivity ² | 100dB (1W/1m) | |
| Maximum Calculated SPL ¹ | 130dB/136dB (Continuous/Peak) | |
| Power Handling ³ | 1,000W/4,000W (Continuous/Peak) | |
| Crossover Frequency | 80Hz to 125Hz, 100Hz Typical | |
| LF Transducers | 2 x DVX3159A, 15in (381mm) Driver | |
| Impedance | 4 Ohms (nominal) 2.8 Ohms (minimum) | |
| Connector | Dual 4-pin, 10AWG Phoenix/EuroBlock Screw-Terminals | PI Versions: CDG Gland Nut Input Panel Cover Included |
| Enclosure | 13-ply Weather Resistant Birch with EVCoat | |
| Grille | 16GA Powder-Coated Galvanneal | PI Versions: Stainless Steel with Hydrophobic Cloth |
| Environmental | IEC 60529 IP55 for PI | |
| Suspension | EVA-EG2 Grid (sold separately) EVA-GXB Extra Spreader Bar (sold separately) | |
| Dimensions (H x W x D) | 30.5in x 23.418in x 31.2in (930.4mm x 597mm x 792.5mm) | |
| Net Weight | 178lb (80.8g) | |
| Shipping Weight | 193lb (87.6kg) | |

1. Half-space measurement.
 2. Arithmetic average, 55–110Hz, half-space measurement.
 3. AES-1984, tested for eight (8) hours.



EVA-2151D

Dimension Drawings



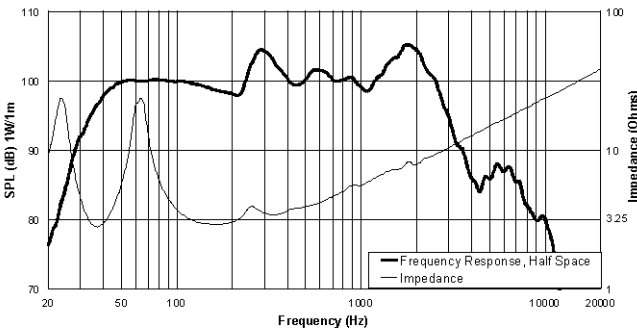
Right View

Front View

Left View

Rear View

Frequency Response & Impedance



EVA-2151D Part Numbers

- F01U131145 EVA-2151D-BLK, Black Finish
- F01U131146 EVA-2151D-WHT, White Finish
- F01U131147 EVA-2151D-PIB, Black, Weather Resistant
- F01U131148 EVA-2151D-PIW, White, Weather Resistant

Performance Match

- F01U1311xx EVA-2082S/906, 90° x 6° Coverage
- F01U13112x EVA-2082S/920, 90° x 20° Coverage
- F01U13113x EVA-2082S/126, 120° x 6° Coverage
- F01U13115x EVA-2082S/1220, 120° x 20° Coverage
- F01U076843 CPS2.9, 120V Power Amplifier, 2, x 900W
- F01U076844 CPS2.12, 120V Power Amplifier, 2 x 1,200W
- F01U101295 CPS4.10, 120V Power Amplifier, 4 x 1,000W

! CAUTION !

This EVA Loudspeaker should be suspended overhead only in accordance with the procedures and limitations specified in the EVA User Manual and possible manual update notices. This system should be suspended with certified rigging hardware by an authorized rigging professional and in compliance with local, state, and federal overhead suspension ordinances.

Accessories

- F01U169136 EVA-EG2-BLK, EVA Extended Grid (Black)
- F01U169137 EVA-EG2-WHT, EVA Extended Grid (White)
- F01U131151 EVA-GXB-BLK, EVA Grid Extra Spreader Bar (Black)
- F01U131152 EVA-GXB-WHT, EVA Grid Extra Spreader Bar (White)
- F01U131158 CDNL4, Cover Plate, Dual NL4
- F01U131159 CSG, Cover Plate, Single Gland Nut
- F01U131160 CDG, Cover Plate, Dual Gland Nut

Electro-Voice

12000 Portland Avenue South
 Burnsville, MN 55337
 Phone: (952) 884-4051 Fax: (952) 884-0043
www.electrovoice.com
 Bosch Communications Systems
 F01U196233 (LIT000446) Rev 01 3/2011

U.S.A and Canada only. For customer orders, contact Customer Service at: (800) 392-3497 Fax: (800) 955-6831
 Europe, Africa and Middle East only. For customer orders, contact Customer Service at +49 9421-706 0 Fax: +49 9421-706 265
 Other International locations. For customer orders, contact Customer Service at: +1 952 884-4051 Fax: +1 952 887-9212
 For service, contact Service Repair at: (800) 685-2602
 For technical assistance, contact Technical Support at: (866) 78AUDIO
 For warranty and service information, refer to www.electrovoice.com/warranty