

TS 200 Series

www.dynacord.com



- High power multi-functional 2-way cabinet
- 300 Watts / 8 Ω
- DH-3 Titanium diaphragm driver
- Rotatable CAD optimized 90 x 40 CD horn
- 2 x Neodymium DND 6130-16 woofer

The TS 200 is an extremely compact, two-way high-performance loudspeaker, with a nominal power handling capacity of 300 W RMS, suitable for a multitude of highly demanding tasks. Its high SPL and precisely controlled coverage pattern make it a prime candidate for tasks far more challenging than any you would associate with a speaker of its size. Whether used as a full range fill or delay with larger systems or deployed in mobile applications as a medium-sized FOH system in combination with passive or active (e.g. PowerSub 312 or PSD 215) subwoofers, the TS 200 displays outstanding acoustic and mechanical performance. One of the physical benefits of the TS 200 is its weight. At less than 10 kg, it represents a dramatic advance in lightweight engineering in this class. Very high intelligibility even in acoustically problematic rooms, is another of the great strengths of this loudspeaker. With its elegant, slender profile, the TS 200 is especially suitable for situations in which tasteful and discrete styling is called for. All this without compromise in terms of sound quality or pressure level. As well as in a host of mobile applications, the TS 200 features really stand out in the fixed installation market. Ultra-compact cabinets capable of delivering very high sound pressure levels make the challenge for the acoustic & interior designers easier to overcome whenever the

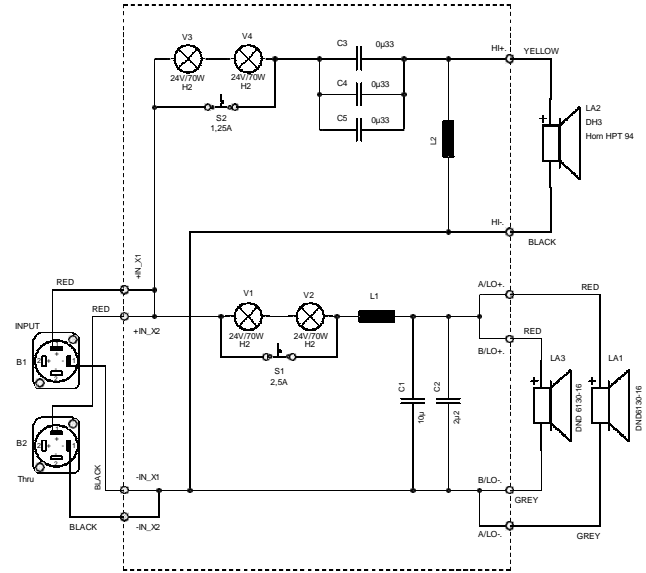
appearance of the loudspeakers is of critical or decisive importance to the interior design. In such circumstances the closed cabinet base included in the delivery can be substituted for the one with the top-hat for a mounting pole intended for mobile applications. For the low and medium frequency ranges, two extremely low-distortion DND 6130-16 neodymium chassis in an array configuration are used. The high frequency range is transduced by an Electro-Voice DH-3 into an HPT94 constant directivity horn that can be rotated with ease through 90° for horizontal applications. The integrated crossover is phase-optimized and furthermore, it provides all loudspeakers with electronic protection against thermal overload.

The TS 200 is available in either black or white (TS 200W). For fixed installation, the WMK-10 (WMK-10W) wall mounting kit is available. The optional FB-TS400 flying kit facilitates suspension of the device safely from a truss. Another highly practical accessory is the SH-TS200 carrying bag. Linear phase FIR (finite impulse response) factory presets are available as well as presets for conventional digital controllers.

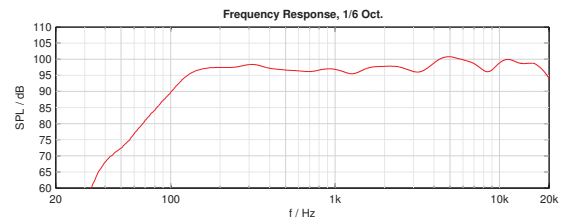
Technical specifications

Color	
• TS 200	Black (RAL 9005, jet black)
• TS 200W	White (RAL 9010, pure white)
Cabinet	Full-range
Configuration	Passive 2-Way
Nominal impedance	8 Ω
Power handling: Full-range	
• Rated power RMS	300 W
• Program power	600 W
• Peak power	1200 W
SPL 1 W/1 m	97 dB
Max. SPL at 1 m (calculated with peak power)	128 dB
Frequency range (-10 dB)	90–20000 Hz
Nominal coverage angle	90° x 40°
X-Over frequency	2200 Hz
Voice coil tracking protection	Halogen
Component HIGH	Electro-Voice DH-3
Component LOW	2 x DND 6130-16
Connector	
• Model	2 x NEUTRIK speakON NL4
• Contacts full-range	1+, 1-
• Contacts wired through	1+, 1-
Product dimensions (Width x Height x Depth)	199 x 513.5 x 239.5 mm
Net weight	10 kg
Enclosure material	Aluminum
Grille	Steel
Suspension	8 x M6

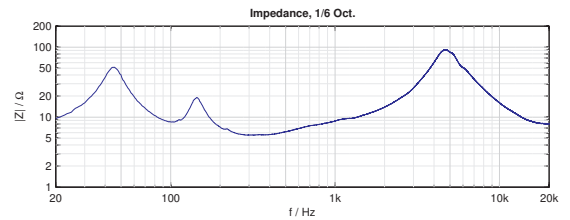
NEUTRIK and speakON are registered trademarks of Neutrik AG.



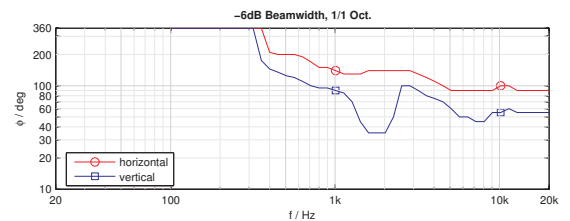
Circuit diagram



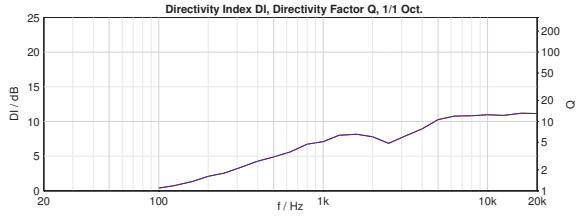
Frequency response



Impedance

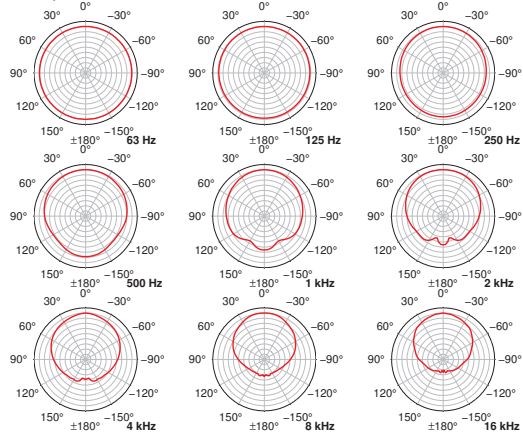


Beamwidth



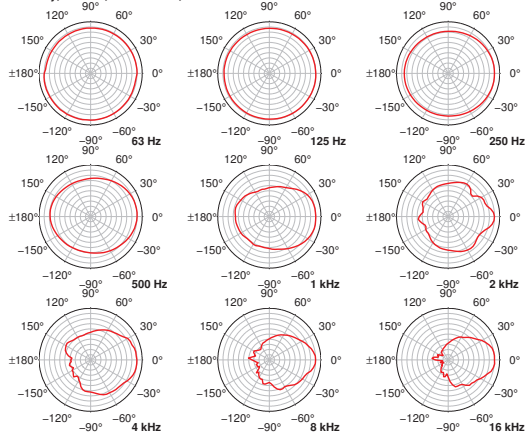
Directivity

Horizontal Directivity, 5dB/Div, 50dB Radius, 1/1 Oct.

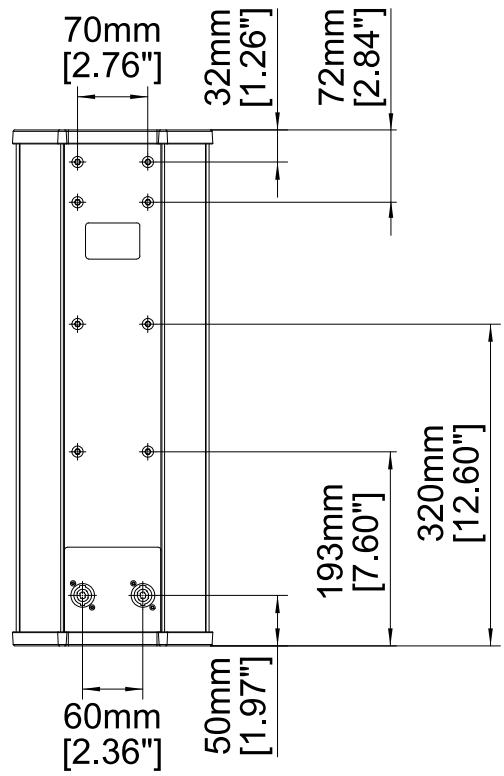
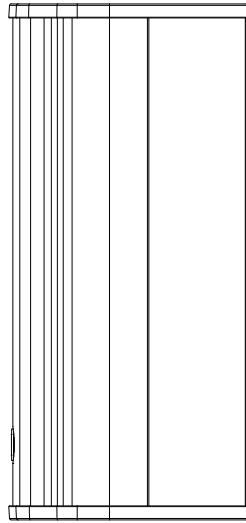
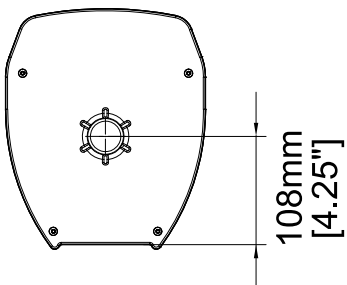
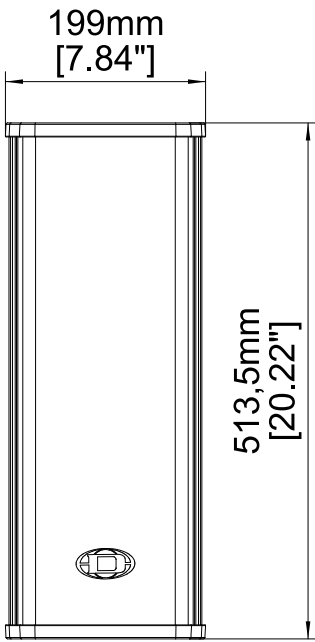
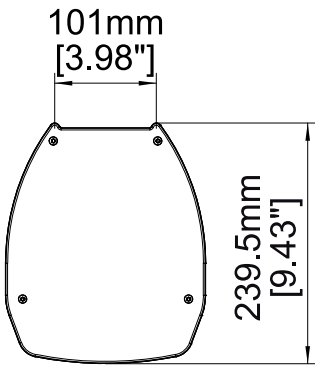


Horizontal directivity

Vertical Directivity, 5dB/Div, 50dB Radius, 1/1 Oct.



Vertical directivity



Dimensions

Installation/configuration notes

Warning!



We expressly point out that the relevant safety regulations must be observed for “flying” loudspeaker systems. It is imperative that qualified expert advice is sought.

Warning!

Use of speaker stands

Be sure to observe speaker stands' maximum load-bearing capacity. Note that for reasons of design and construction, most speaker stands are approved to bear centric loads only; that is, the speakers' mass has to be precisely centered and balanced. Ensure speaker stands are set up stably and securely. Take appropriate added measures to secure speaker stands, for example when the floor or ground surface does not provide a stable, secure base or they are extended to heights that impede stability or high wind pressure may be expected or there is the risk that they may be knocked over by people or vehicles. Special measures may become necessary as precautions against unsafe audience behavior. Do not set up speaker stands in evacuation routes and emergency exits. Ensure corridors are wide enough and put proper barriers and markings in place when setting speaker stands up in passageways. Mounting and dismounting are especially hazardous tasks. Use aids suitable for this purpose. Always observe the given national or local regulations when doing so.



Notice!

Consult a certified structural engineer before any attempt to suspend this loudspeaker!



Loudspeaker can fall from improper suspension, resulting in severe injury and damage of property. Do not suspend or mount any other product or device from this loudspeaker enclosure! Use grade 5 hardware or better only!

Notice!

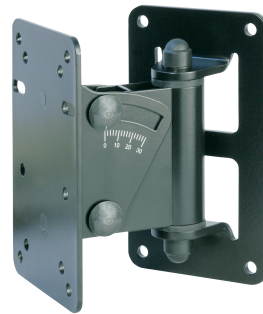


This loudspeaker system can permanently damage hearing! Use extreme care when setting sound pressure levels!

Optional accessories



Tilt adaptor (TA-TS400)



Wall mount kit (WMK-10, black version shown)



Flying kit (FB-TS400)



Carrying bag (SH-TS200)



TV spigot (FB-TV)



Truss clamp (TC-02)



Truss clamp to TV spigot adaptor (TC-TV)

System example



VA 215-200 system (2 x TS 200, 2 x PSD 215)

Ordering information

TS 200

2 x 6" / 1" full-range cabinet; aluminum housing;
1,200W/300W (peak/RMS); 8 Ω; black
Order number **F.01U.283.237**

Accessories

WMK-10

Rotatable Wall-Mount-Kit, black; max.10 kg
Order number **F.01U.119.022**

TA-TS400

Tilt adaptor for TS-Series Speakers
Order number **F.01U.267.861**

FB-TS400

Flying Kit for TS-Series Speakers
Order number **F.01U.267.862**

SH-TS200

Dust cover/bag for TS 200
Order number **F.01U.283.243**

TC-TV

Truss Clamp > TV Spigot 2" Truss Adapter
Order number **F.01U.100.727**

TC-02

Truss clamp 43-50 mm
Order number **F.01U.100.657**

FB-TV

TV Spigot for Flying-Brackets for: PM-TV or TC-TV
Order number **F.01U.100.845**

TS 200W

2 x 6" / 1" full-range cabinet; aluminum housing;
1,200W/300W (peak/RMS); 8 Ω; white
Order number **F.01U.283.238**

Accessories

WMK-10W

Rotatable Wall-Mount-Kit, white, max. 10 kg
Order number **F.01U.119.032**

TA-TS400

Tilt adaptor for TS-Series Speakers
Order number **F.01U.267.861**

FB-TS400

Flying Kit for TS-Series Speakers
Order number **F.01U.267.862**

SH-TS200

Dust cover/bag for TS 200
Order number **F.01U.283.243**

TC-TV

Truss Clamp > TV Spigot 2" Truss Adapter
Order number **F.01U.100.727**

TC-02

Truss clamp 43-50 mm
Order number **F.01U.100.657**

FB-TV

TV Spigot for Flying-Brackets for: PM-TV or TC-TV
Order number **F.01U.100.845**

Bosch Sicherheitssysteme GmbH
Robert-Bosch-Ring 5
85630 Grasbrunn
Germany

www.dynacord.com

© Bosch Sicherheitssysteme GmbH, 2013 | Data subject to change without notice
Document Number F01U284603 | Vs1 | 05. Sep 2013