

PHOS 65 DOWNLIGHT – SPECIFICATIONS



| | |
|---|---|
| item: | PHOS 65 downlight |
| body: | steel / aluminium |
| weight: | 3.90 kg |
| ballast: | external ballast included |
| environmental conditions: | for dry indoor environments only |
| ambient temperature: | -30° C – + 35° C |
| cooling: | active cooling, fan |
| noise level: | 14 dBA |
| light source: | 60 W High Power LED |
| recommended projection distance in normal room light: | 20 ft |
| recommended projection distance in darkness: | 50 ft |
| average lifetime of the LED (L70): | 25,000 hours |
| colour temperature: | 6,300 - 6,700 K |
| luminous flux of the LED: | 3,800 lumens |
| gobo size / image size: | Ø 50 mm / Ø 40 mm |
| input voltage: | 220 - 240 V AC, 50 / 60 Hz |
| power consumption: | 62 W |
| efficiency: | 0.8 cos. φ |
| electrical protection: | I |
| ingress protection rating: | IP 20 |
| photobiological safety according to ICE62471:2006 EN62471:2008: | RG-2 |
| item number: | 20065110 – white, 20065120 – black, 20065130 – silver |

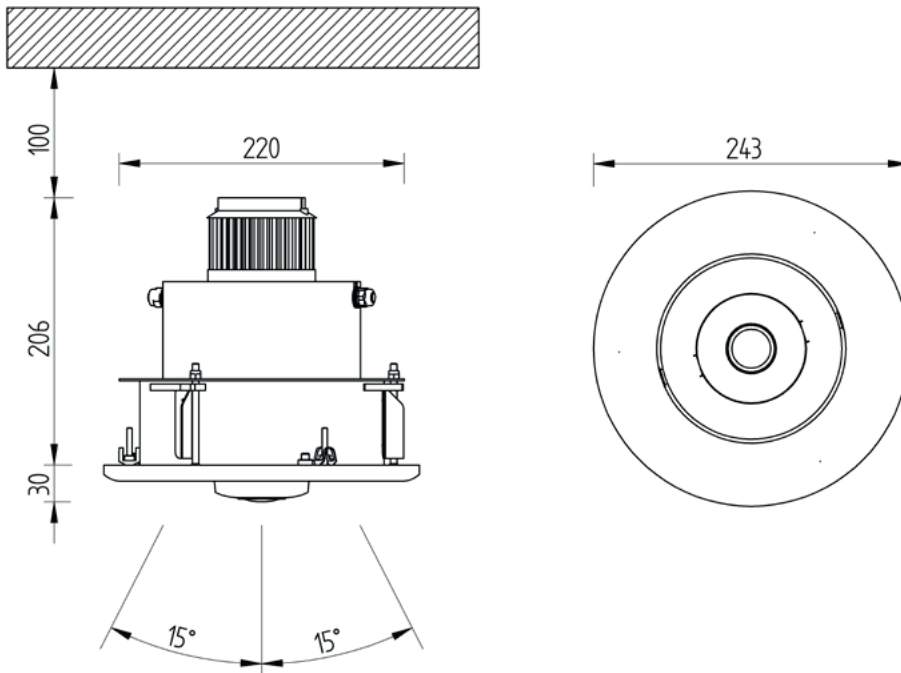
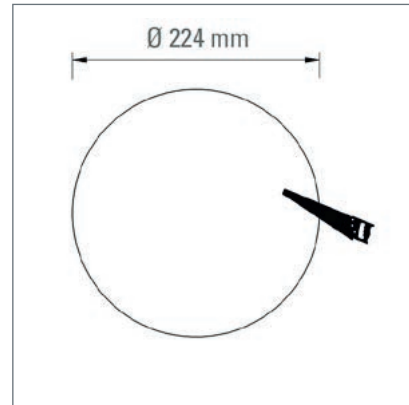
PHOS 65 downlight is the most powerful top model and its 60 watts High-Power LED provides uncompromised brightness, which guarantees a brilliant and crisp projection in almost any situation. It is the optimal solution, when the ambient light is brighter, when projecting on coloured or dark surfaces or when colourful artworks are to be displayed. The device is equipped with a noise-optimized fan which dissipates the heat of the heat sink. PHOS 65 downlight is suitable for dry interiors and can be unobtrusively installed in false ceilings. The maximum projection distance is 20 feet in normal room lighting and 50 feet in darkness. Recommended locations include: museums, trade fairs, shopping malls or large lobbies. The included electronic ballast is placed in the false ceiling. The projection motif (gobo) can be changed without tools.

Components

Standard series with high power LED and 85 mm standard lens. Required accessories: glass gobo with individually designed motif.

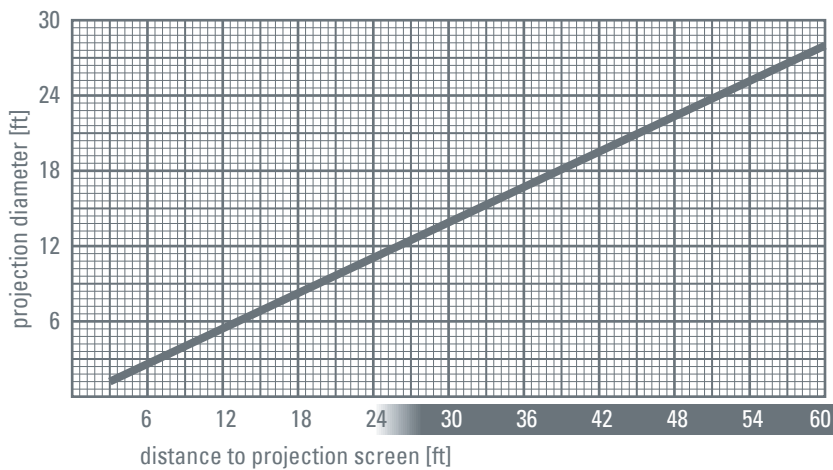


Dimensions



Projection Size

Standard Lens, $f = 85 \text{ mm}$



derksen®
lichttechnik

Derksen Lichttechnik GmbH
Sauerlandstraße 5
45889 Gelsenkirchen
Germany

Tel.: +49 (0)209 / 9 80 70 0
Fax: +49 (0)209 / 9 80 70 60

info@derksen.de
www.derksen.de