

PHOS 25s pole mount – Specifications



item:.....	PHOS 25s pole mount
body:.....	steel / aluminium
weight:	4.1 kg
environmental conditions:.....	outdoors, humid interiors
ambient temperature:.....	-30° C – + 35° C
cooling:	passive cooling
noise level:	0 dBA
light source:	22 W High Power LED
recommended projection distance in normal room light:	10 ft
recommended projection distance in darkness:	26 ft
average lifetime of the LED (L70):.....	35,000 hours
colour temperature:.....	6,300 - 6,700 K
luminous flux of the LED:.....	1,800 lumens
gobo size / image size:	Ø 50 mm / Ø 40 mm
input voltage:	100 - 240 V AC, 50 / 60 Hz
power consumption:.....	29 W
efficiency:.....	0.5 cos. φ
electrical protection:	I
ingress protection rating:	IP 64
photobiological safety according to ICE62471:2006 EN62471:2008:.....	RG-2
item number:	20025610 – white, 20025620 – black, 20025630 – silver

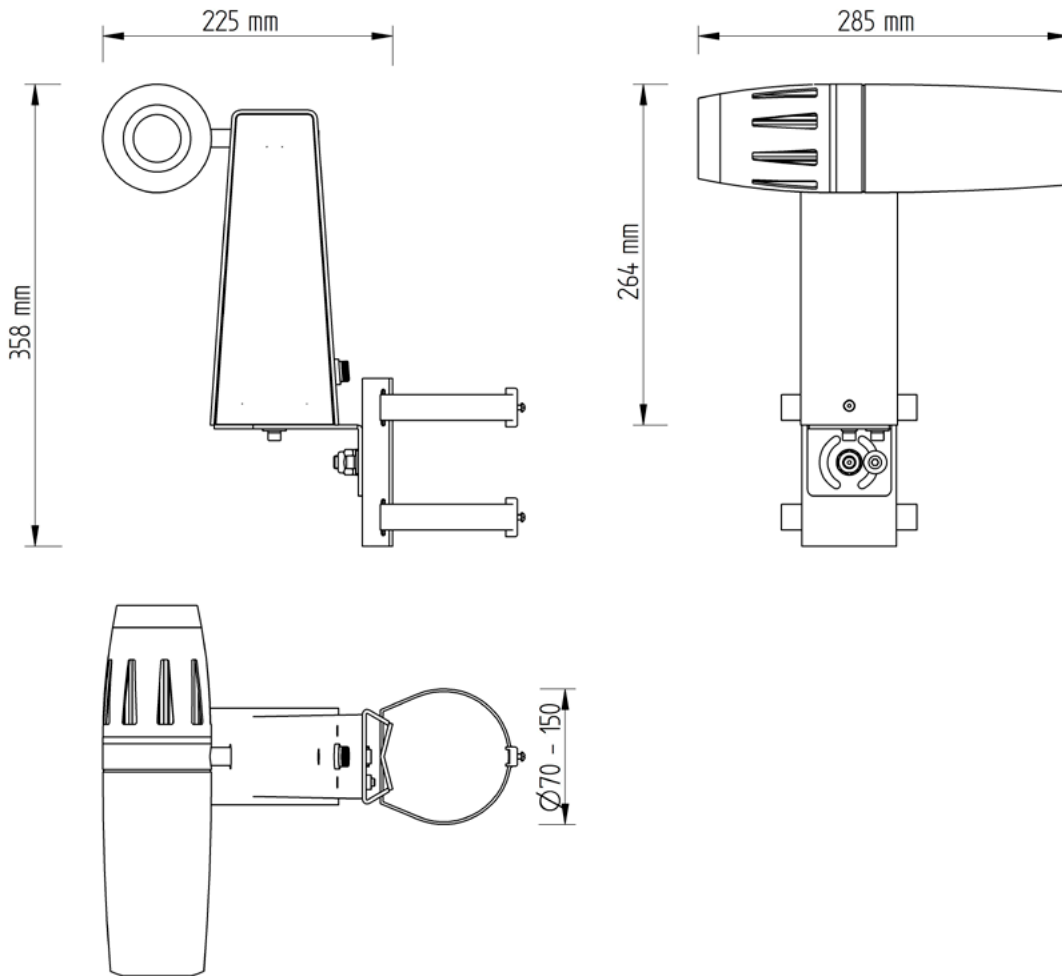
This weatherproof outdoor projector is equipped with the latest LED technology and is passively cooled without a fan. The device is intended to be attached to poles or tubes with its special holder. The lens is equipped with a special gasket, which prevents the penetration of moisture. All encapsulated electronic components are waterproof. The ballast is already integrated in the housing. The projector is connected via a watertight connection tube. This budget-priced entry level model is suitable for year-round outdoor use or for damp interiors. For its 22 watts High-Power LED we recommend a projection distance of 26 feet at dusk and night. The projector is especially suitable for outdoor projections on facades or portals, messages on pavements or areas in pedestrian zones – up to a diameter of about 10 feet. The projection motif (gobo) can be changed without tools.

Components:

Standard series with high power LED and 85 mm standard lens. Required accessories: glass gobo with individually designed motif.

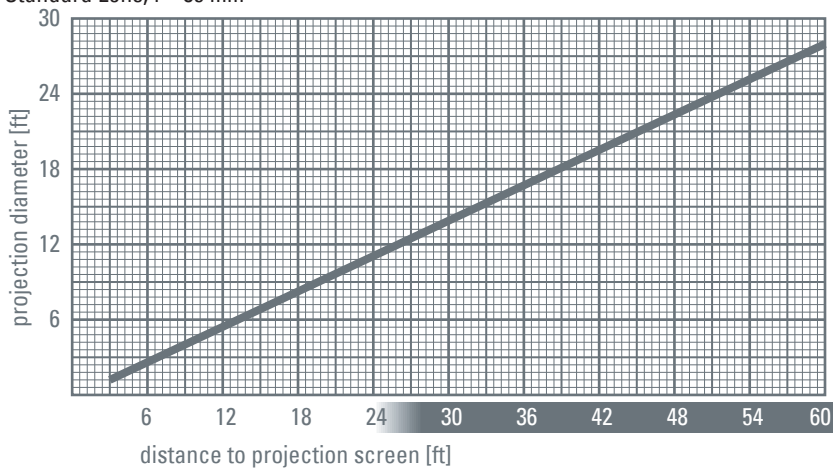


Dimensions



Projection Size

Standard Lens, $f = 85$ mm



derksen®
lichttechnik

Derksen Lichttechnik GmbH
Sauerlandstraße 5
45889 Gelsenkirchen
Germany

Tel.: +49 (0)209 / 9 80 70 0
Fax: +49 (0)209 / 9 80 70 60

info@derksen.de
www.derksen.de