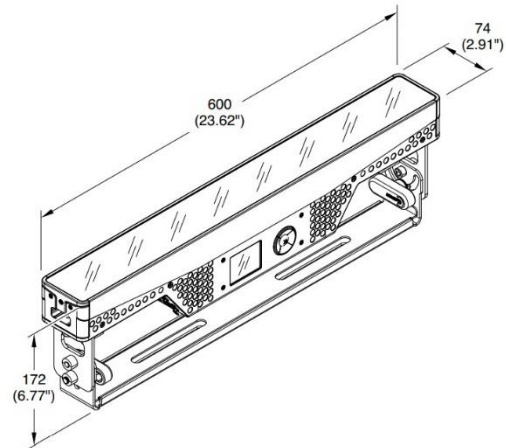
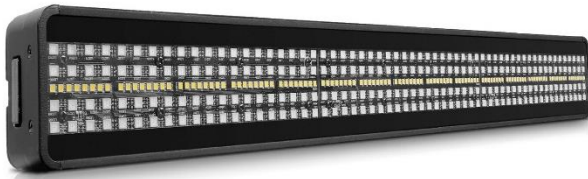


MODEL: TAMBORA LINEAR 60

CODE: CL2021

October 11, 2024



#### LIGHT SOURCE:

- Source type:**
- RGB LED (x 240)
  - White LED strobe (x 120)

- LED life expectancy:**
- 50.000 Hrs L70\*

\* It may vary depending on various factors, such as the type of use and environment

#### PHOTOMETRIC DATA:

- Zoom range:**
- RGB LED: 69° @50% / 113° @10%
  - White LED strobe: 120° of beam aperture
- Lm output:**
- 10.114 Lm (integrating sphere)
- Optical syt.:**
- High efficiency

#### NOISE LEVEL:

- Controlled by:**
- Able to control linearly the speed of the fans
- Fixed presets:**
- Silent mode: 33.0 dB
  - Theatre mode: 33.1 dB
  - Constant mode: 45.9 dB
  - Auto mode: 44.8 dB

#### CONTROL & CONNECTIONS:

- Personalities:**
- 5 modes with 9 / 13 / 31 / 39 / 33 control channels
  - Pixel engine: 45 control channels
  - Strobe engine: 15 control channels
- Protocols:**
- DMX, Art-Net, sACN, RDM
- Connectors:**
- Locking 5 pin XLR IN/OUT
  - RJ45 IN/OUT
- Power con.:**
- PowerCon True1 IN/OUT
- Web server:**
- Built-in
- CloudIO:**
- Fully compatible

#### DYNAMIC EFFECTS:

- Colors:**
- 240 pcs 3-in-1 RGB LEDs split into 15 areas
  - 120 pcs white LEDs split into 15 areas
  - Advanced layer management:
    - Color
    - Internal shape
    - Pixel mapping
    - Strobe
  - White CT emulation 2800 – 8000 K
  - RGB and strobe shape effect
- Frost:**
- Black filter (Optional)
  - White filter 20° (Optional)
  - White filter 30° (Optional)

## Dimmer / Shutter:

- High resolution electronic dimmer - 24 bit, 5 curves
- Electronic strobe/stop from 0.3 to 25 f/sec.

## HARDWARE & SOFTWARE:

- Long life self-charging battery
- Display graphic LCD backlit B/W display
- Firmware upload from another fixture
- Firmware upgrade via Web Server
- Diagnostic
- DMX monitoring
- Remote access through RDM

## HOUSING:

- Aluminium and steel structure with plastic covers
- One side handle for transportation
- IP20 protection rate
- Built-in mechanical alignment system
- Working in any position
- Hanging system: with long bracket
- Optional safety chain

## ELECTRICAL:

### Operating voltage:

- 100-240V, 50/60 Hz

### In/Out MAX:

- 10.9A @200-240Vac (9.6 @ 100-120Vac)

### Power Supply:

- Electronic auto range with active PFC

### MAX power consumption:

- 240W

## THERMAL SPECIFICATION:

### MAX Ambient temperature:

- 45°C (113°F)

### Min Ambient Temperature:

- -20°C (-4°F)

### MAX temp. of the ext. surface:

- 50°C (122°F)

### Total heat dissipation:

- 819 BTU/hr ±10% / 864 kJ/hr ±10%

## SAFETY SPECIFICATIONS:

### Min. dist. of illum. objs:

- 0.5 m (1'8")

### Min. dist. from flamm. mat.:

- 0.2 m (8")

### Protections:

- Fuse T8A – 250V
- Thermally protected power supply (overheating and cooling failure)
- Forced ventilation with axial fans

## COMPLIANCE:

### CE Marking (in conformity to the following):

- 2014/35/EU - Safety of electrical equipment supplied at low voltage (LVD)
- 2014/30/EU – Electromagnetic compatibility (EMC)
- 2011/65/EU - Restriction of the use of certain hazardous substances (RoHS)
- 2009/125/EC - EcoDesign requirements for Energy-related Products (ErP)

### UKCA conforms to UK regulations:

- S.I. 2016 N. 1101
- S.I. 2016 N.1091
- S.I. 2012 N.3032
- S.I. 2021 N.745

### cMETus LISTED:

- UL 1573:2003
- CSA C22.2 N.166:2015

## PACKAGING:

- Carton box + Polystyrene
- Carton box + Foam shell
- Flight case + Foam shell (6 positions)

## WEIGHT & SIZES:

### Weight:

- 5.3 Kg (11.6 lbs)

### Dimensions:

- 600 x 172 x 74 mm
- 23.62 x 6.77 x 2.91 In

## ACCESSORIES:

### Omega bracket A:

- 427011/801 (Included) x 2

### Handle:

- VOL011/001 (Included) x 2

### Neutral density filter:

- 427017/001 (Included)

### Adjustable bracket:

- 427010/001 (Included) x 2

### ETL Power:

- CAB02B/802 (Optional)\*  
\* Cord 1.5 m (bare end with IP65 PowerConTrue1 conn.)

### Floor stander:

- CA2008000200 (Optional)

### Black frost filter:

- CA2007000200 (Optional)

### White frost filter 20°:

- CA2005000200 (Optional)

### White frost filter 30°:

- CA2006000200 (Optional)

### Foam shell:

- F21338/001 (Optional)

### Flight case (6 pos):

- CF1022F (Optional)

### Safety Chain:

- 105041/003 (Optional)

### Clamp:

- C21070 (Optional)