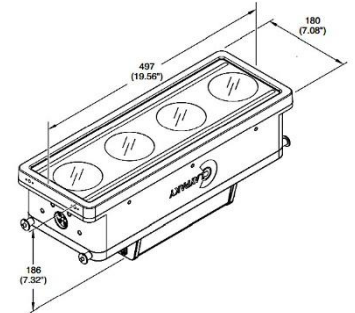
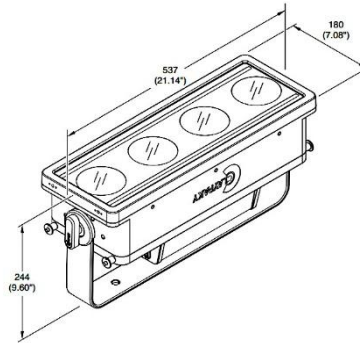
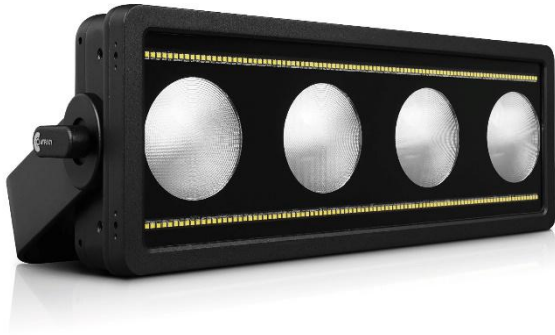


MODEL: TAMBORA FLASH

CODE: CL2020

March 11, 2025



LIGHT SOURCE:

- Source type:**
- LED RGBWW with 31° reflectors
 - 2 lines cold white strobe LEDs split into 16 areas (120° beam angles)
- Power:**
- 100W (x4)
- Color temperature:**
- 6000 K CCT (cold white strobe LEDs lines)
- CRI:**
- Up to 70
- LED life expectancy:**
- 50.000 Hrs L70*
- * It may vary depending on various factors, such as the type of use and environment

PHOTOMETRIC DATA:

- Zoom:**
- 31°: Beam Mode
 - 45°: Field Mode
- Lm output:**
- 8458 Lm (integrating sphere)
- Front lens:**
- Ø 85 mm (x4)
- Optical syt.:**
- High efficiency

NOISE LEVEL:

- Controlled by:**
- Able to control linearly the speed of the fans
- Fixed presets:**
- Silent mode: 36,7 dBA
 - Theatre mode: 36,7 dBA
 - Constant mode: 49,2 dBA
 - Auto mode: 49,3 dBA

CONTROL & CONNECTIONS:

- Personalities:**
- Main engine: 5 modes with 16 / 20 / 34 / 42 / 36 control ch.
 - Pixels engine: 2 modes with 12 / 16 control ch.
 - Strobe engine: 1 mode with 16 control ch.
- Protocols:**
- DMX, Art-Net, sACN, RDM
- Connectors:**
- Locking 5 pin XLR IN/OUT
 - RJ45 IN/OUT
- Power con.:**
- PowerCon True1 IN/OUT
- Web server:**
- Built-in
- CloudIO:**
- Fully compatible

DYNAMIC EFFECTS:

- Colors:**
- Advanced layers management (color, internal shape, pixel mapping + strobe)
 - Pixel mapping and strobe split into 8 different areas per line (Tot. 16)
 - Individual LED control of four central RGBWW LEDs with reflectors
 - Pre-programmed shape selection of static and dynamic patterns, adjustable in color, speed, direction, fade and strobe
 - Red shift
- Dimmer / Shutter:**
- High resolution electronic dimmer - 24 bit, 5 curves
 - Electronic strobe 25f/sec
 - Strobe shape, speed, fade duration ranging from 1Hz to 25Hz

HARDWARE & SOFTWARE:

- Long life self-charging battery
- Display graphic LCD backlit B/W display
- Firmware upload from another fixture
- Firmware upgrade via Web Server
- Diagnostic
- DMX monitoring
- Remote access through RDM

HOUSING:

- Magnesium housing
- IP66 protection rate
- Working in any position
- Advanced mechanics for horizontal and vertical combination
- Hanging system: with fast-lock Omega clamps (1/4) turn on the base
- Adjustable angle from 0° to 20°
- Optional safety chain

ELECTRICAL:

- Operating voltage:** • 100-120 / 200-240V, 50/60 Hz
- In/Out MAX:** • 1(0) fixtures @200-240Vac (@100-120Vac)
- Power Supply:** • Electronic auto range with active PFC
- MAX power consumption:** • 1150VA @230Vac 50Hz

THERMAL SPECIFICATION:

- MAX Ambient temperature:** • 45°C (113°F)
- Min Ambient Temperature:** • -20°C (-4°F)
- MAX temp. of the ext. surface:** • 90°C (194°F)
- Total heat dissipation:** • 3928 BTU/hr ±10% / 4140 kJ/hr ±10%

SAFETY SPECIFICATIONS:

- Min. dist. of illum. objs:** • 0,5 m (1'8")
- Min. dist. from flamm. mat.:** • 0,2 m (8")
- Protections:** • Thermally protected power supply (overheating and cooling failure)
• Forced ventilation with axial fans

COMPLIANCE:

- CE Marking (in conformity to the following):**
- 2014/35/EU – Safety of electrical equipment supplied at low voltage (LVD)
 - 2014/30/EU – Electromagnetic compatibility (EMC)
 - 2011/65/EU - Restriction of the use of certain hazardous substances (RoHS)

- 2009/125/EC - EcoDesign requirements for Energy-related Products (ErP)

UKCA conforms to UK regulations:

- S.I. 2016 N. 1101
- S.I. 2016 N.1091
- S.I. 2012 N.3032
- S.I. 2021 N.745

CMETLus LISTED:

- UL 1573:2003
- CSA C22.2 N.166:2015

PACKAGING:

- Carton box + Foam shell
- Flight case + Foam shell (4 positions)
- Carton box + Polystyrene

WEIGHT & SIZES:

- Weight:** • 10,4 Kg (22,9 lbs)
- Dim.s without handle:** • 497 x 180 x 186 mm
• 19,56 x 7,08 x 7,32 In
- Dim.s with handle:** • 537 x 180 x 244 mm
• 21,14 x 7,08 x 9,60 In

ACCESSORIES:

- Omega bracket:** • 183102/805 (Included)
- ETL Power:** • CAB02B-802 (Optional)*
** Cord 1.5 m (bare end with IP65 PowerConTrue1 conn.)*
- Aliscaf holder:** • CA3031000102 (Optional)
- Connecting bracket kit:** • CA3038000102 (Optional)
- Gr.d stander:** • CA3042000102 (Optional)
- Inc. gr.d. syt.:** • CA3043000102 (Optional)
- Str. gr.d syt.:** • CA3044000102 (Optional)
- Barndoor:** • CA3064000102 (Optional)
- Top hat:** • CA3065000102 (Optional)
- Foam shell:** • F21350/001 (Optional)
- Flight case (4 pos):** • CF1020F (Optional)
- Safety Chain:** • 105041-003 (Optional)
- Frost filters (Optional)**
- | | |
|--------------|--------------|
| • 10°: | CA3054000102 |
| • 15°: | CA3055000102 |
| • 20°: | CA3056000102 |
| • 30°: | CA3057000102 |
| • 40°: | CA3058000102 |
| • 50°: | CA3059000102 |
| • 80°: | CA3060000102 |
| • Neutral: | CA3061000102 |
| • 60° x 10°: | CA3062000102 |
| • 10° x 60°: | CA3063000102 |