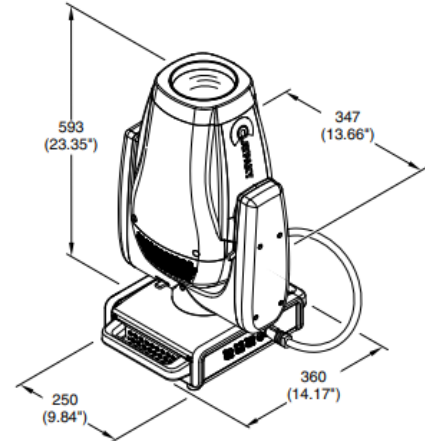
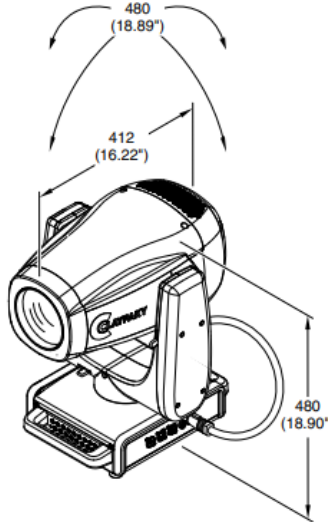


MODEL: AROLLA SPOT MP  
 CODE: CL3012

February 21, 2025



#### LIGHT SOURCE:

- Source type:** • White LED
  - Power:** • 470 W
  - Color temperature:** • 6400 K  $\pm$  300
  - CRI:** • 70+ with selectable filter for typical CRI value up to 90
  - LED life expectancy:** • 40.000 Hrs L70\*
- \* It may vary depending on various factors, such as the type of use and environment

#### PHOTOMETRIC DATA:

- Zoom range:** • 6.2° - 48.8°
- Lm output:** • 22054 Lm (integrating sphere)
- Front lens:** •  $\varnothing$  120 mm
- Optical syt.:** • High efficiency

#### NOISE LEVEL:

- Fixed presets:**
  - Theatre mode: 40.6 dBA
  - SLN mode: 40.6 dBA
  - Standard mode: 46.8 dBA
  - Auto mode: 48.4 dBA
  - RNR mode: 48.7 dBA

#### CONTROL & CONNECTIONS:

- Personalities:** • 2 modes with 29 / 31 control channels
- Protocols:** • DMX, Art-Net, sACN, RDM
- Connectors:**
  - Locking 5 pin XLR IN/OUT
  - RJ45 IN
- Power con.:** • PowerCon True1 IN/OUT
- Web server:** • Built-in
- CloudIO** • Fully compatible

#### DYNAMIC EFFECTS:

- Colors:**
  - Linear CMY color mixing
  - Linear CTO: 3000K – 6400K
  - Fixed color wheel with 7 dichroic colors including high CRI filter
- Gobos:**
  - 2 rotating gobo wheels with 7 HD indexable and replaceable gobos
  - Ext. diam.: 22.9 mm
  - Image diam.: 17 mm
  - Thickness: 1.1 mm

- Frost:**
- Linear heavy frost 5° for wash effect
- Rotating effects:**
- Aluminium animation wheel with continuous rotation in both direction at variable speed
  - 1 four-facet prism with rotation in both directions at variable speed
- Iris:**
- Motorized with variable pulse and random effects
- Movement:**
- Tilt: 270° - 16 bit
  - Pan: 540° - 16 bit
  - Accuracy: Resolution  $\pm 0.17^\circ$   
Range  $0.34^\circ$
  - Automatic repositioning
  - Fast / Medium / Slow speed selectable by functional channel
  - Mechanical Pan/Tilt lock for safe transportation and maintenance
- Beam:**
- Motorized zoom and focus
- Dimmer / Shutter:**
- High resolution electronic dimmer - 24 bit, 4 curves
  - High speed electronic shutter and strobe

## HARDWARE & SOFTWARE:

- Long life self-charging battery
- Display graphic LCD backlit B/W display
- Firmware upload from another fixture
- Firmware upgrade via Web Server
- Diagnostic
- DMX monitoring
- Remote access through RDM

## HOUSING:

- Aluminium and steel structure with plastic covers
- Two side handles for transportation
- IP20 protection rate
- Working in any position
- Hanging system: with fast-lock Omega clamps (1/4 turn) on the base
- Optional safety chain

## ELECTRICAL:

- Operating voltage:**
- 100-240V, 50/60 Hz
- Power Supply:**
- Electronic auto range with active PFC
- MAX power consumption:**
- 740 VA

## THERMAL SPECIFICATION:

- MAX Ambient temperature:**
- 45°C (113°F)
- Min Ambient Temperature:**
- -20°C (-4°F)
- MAX temp. of the ext. surface:**
- 90°C (194°F)
- Total heat dissipation:**
- 2527 BTU/hr  $\pm 10\%$  / 2664 kJ/hr  $\pm 10\%$

## SAFETY SPECIFICATIONS:

- Min. dist. of illum. objs:**
- 2.5 m (8'2")
- Min. dist. from flamm. mat.:**
- 0.2 m (8")
- Protections:**
- Thermally protected power supply (overheating and cooling failure)
  - Forced ventilation with axial fans
  - Fuse T10A – 250V

## COMPLIANCE:

### CE Marking (in conformity to the following):

- 2014/35/EU – Safety of electrical equipment supplied at low voltage (LVD)
- 2014/30/EU – Electromagnetic compatibility (EMC)
- 2100/65/EU – Restriction of the use of certain hazardous substances (RoHS)
- 2009/125/EC - EcoDesign requirements for Energy-related Products (ErP)

### UKCA conforms to UK regulations:

- S.I. 2016 N. 1101
- S.I. 2016 N. 1091
- S.I. 2012 N.3032
- S.I. 2010 N. 2617

### cMETus LISTED:

- UL 1573:2003
- CSA C22.2 N.166:2015

## PACKAGING:

- Carton box + Polystyrene
- Carton box + Foam shell
- Flight case + Foam shell (4 positions)

## WEIGHT & SIZES:

- Weight:**
- 23.7 Kg (52.2 lbs)
- Base dim.s:**
- 250 x 360 mm
  - 9.84 x 14.17 In
- Height with vert. head (h):**
- 593 mm
  - 23.34 In
- Dist. b/t 2 fixt:**
- 480 mm

## ACCESSORIES:

- Omega bracket:**
- 2x183102/805 (Included)
- ETL Power:**
- CAB02/802 (Optional)\*  
\* Cord 1.5 m (bare end with IP65 PowerConTrue1 conn.)
- Foam shell:**
- F21324/001 (Optional)
- Flight case (4 pos):**
- CF1008F (Optional)
- Safety Chain:**
- 105041/003 (Optional)
- Arolla Spot MP gobo module conv. kit:**
- CA3007C00100 (Optional)