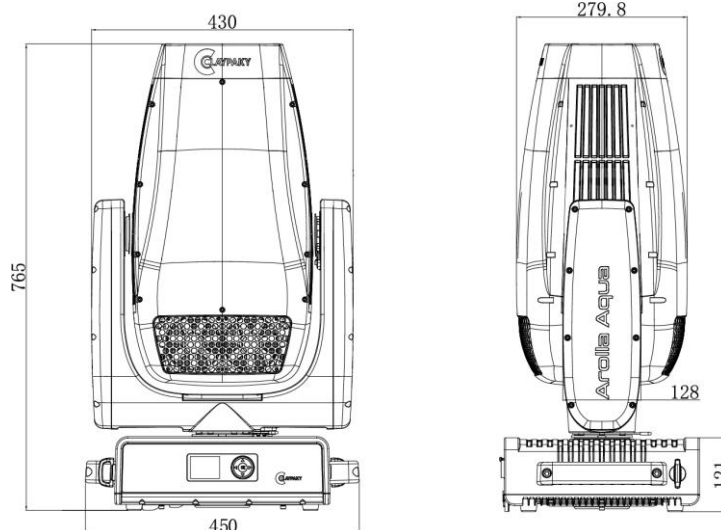


MODEL: AROLLA AQUA WASH HC

April 7, 2025

CODE: CL3033

**WARNING: THE INFORMATION IN THIS DOCUMENT IS SUBJECT TO CHANGE WITHOUT NOTICE AND SHOULD NOT BE CONSTRUED AS A COMMITMENT BY CLAY PAKY S.R.L.**



#### LIGHT SOURCE:

Source type:	White LED (6500 K) + Calibration of the white (TrueCurve TM.)
Power:	960W
Color temp.:	CTO: 2700K – 6500K
CRI:	Up to 95

#### PHOTOMETRIC DATA:

Aperture:	6 – 47°
Lm output:	28.000 lm

#### CONTROL & CONNECTIONS:

Protocols:	DMX, Art-Net, sACN, CRMX (by Lumen Radio)
Connectors:	Locking 5 pin XLR IN/OUT, RJ45 IN/OUT
Power con.:	PowerCon True1 IN/OUT
Web server:	Built-in
CloudIO:	Fully compatible

#### DYNAMIC EFFECTS:

Colors:	CMY color mixing (16-bit); 1 fixed color wheel with 6 dichroic colors; Linear CTO 2700K – 6500K;
Strobe:	Electronic strobe
Barndoor system:	Internal 2 focal planes
Frost:	1 manually interchangeable 60°
Movement:	Tilt: 270°; Pan: 540°; Automatic repositioning; Mechanical Pan/Tilt lock for safe transportation and maintenance
Dimmer/Shutter:	Electronic control (24-bit) with 4 selectable dimming curves

#### HARDWARE & SOFTWARE:

Display graphic LCD backlit B/W display; firmware upload from another fixture, firmware upgrade via Web Server; diagnostic; DMX monitoring; remote access through RDM

#### HOUSING:

Special:	Magnesium housing; two-side handles for transportation; IP66 protection rate; working in any position; hanging system with fast-lock Omega clamps (1/4) on the base Sun safe protection
----------	--

#### ELECTRICAL:

Operating voltage:	100 – 240 V, 50 / 60 Hz
--------------------	-------------------------

**MAX power consumption:** 1250 VA

**THERMAL SPECIFICATIONS:**

---

**MAX ambient temperature:** 45 °C (113°F)

**Min ambient temperature:** -20 °C (-4 °F)

**WEIGHT & SIZES:**

---

**Weight:** 37,5 Kg

**Dim.s:** 450 x 320 x 765 mm