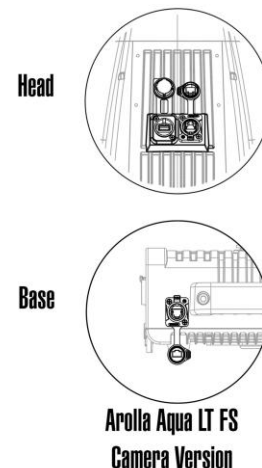
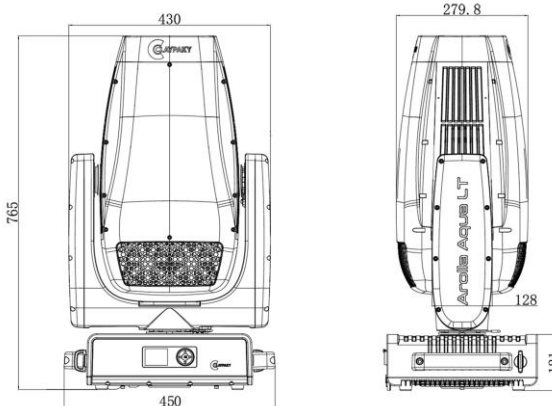


MODEL: AROLLA AQUA LT / FS
 CODE: CL3037 (LT)
 CL3041 (FS)

May 13, 2025



LIGHT SOURCE:

- Source type:** • White LED
- Power:** • 900 W
- Color temperature:** • 6500 K
- CRI:** • Up to 70
- LED life expectancy:** • 40.000 Hrs L70*

* It may vary depending on various factors, such as the type of use and environment

PHOTOMETRIC DATA:

- Zoom range:** • 4 – 52°
- Lm output:** • 44.000 lm (integrating sphere)
- Front lens:** • Ø 170 mm
- Optical syt.:** • High efficiency

NOISE LEVEL:

- | | | |
|-----------------------|------------------|---------|
| Fixed presets: | • Silent mode: | 37.5 dB |
| | • Auto mode: | 46.3 dB |
| | • Theatre mode: | 37.4 dB |
| | • Constant mode: | 47.1 dB |

CONTROL & CONNECTIONS:

- Personalities:** • 2 modes with 38 / 41 control channels
- Protocols:** • DMX, Art-Net, sACN, RDM
• CRMX (Lumen Radio)
- Connectors:** • Locking 5 pin XLR IN/OUT
• RJ45 IN/OUT

• **In addition, with FS version:**
USB 12V + RJ45 for camera version
- Power con.:** • PowerCon True1 IN/OUT
- Web server:** • Built-in
- CloudIO:** • Fully compatible

DYNAMIC EFFECTS:

- Colors:** • Linear CMY color mixing
• linear CTO filter from 3400K to 6500K
• 1 color wheel with 6 dichroic colors, tint channel
- Framing Systems:** • 4 blades with ± 60° rotation of the full system
• "Total Curtain" effect allowing full blackout with each single blade
- Gobos:** • 1 static gobo wheel with 8 fixed gobos
• 1 rotating gobo wheel with 7 interchangeable glass gobos

- Frost:**
- 2 linear heavy frosts 5° and 1°
- Rotating effects:**
- 1 aluminium animation disc with continuous rotation in both directions at variable speed movement;
 - 1 four-facet prism with rotation in both directions at variable speed
- Iris:**
- Motorized with variable pulse effects
- Movement:**
- Tilt: 266°
 - Pan: 540°
 - Accuracy: Resolution $\pm 0.5^\circ$ ($\pm 0^\circ 30' 00''$)
Range 1° (1° 0' 0")
 - Absolute position
 - Automatic repositioning
 - Mechanical Pan/Tilt lock for safe transportation and maintenance
- Beam:**
- Motorized zoom and focus
- Dimmer / Shutter:**
- High resolution electronic dimmer - 24 bit, 5 curves
 - High speed electronic shutter and strobe

HARDWARE & SOFTWARE:

- Long life self-charging battery
- Display graphic LCD backlit B/W display
- Firmware upload from another fixture
- Firmware upgrade via Web Server
- Diagnostic
- DMX monitoring
- Remote access through RDM

HOUSING:

- Aluminium and steel structure with plastic covers
- Two side handles for transportation
- IP66 protection rate
- Working in any position
- Hanging system: with fast-lock Omega clamps (1/4) turn on the base
- Optional safety chain
- **Special feature: sun safe protection**

ELECTRICAL:

- Operating voltage:**
- 100-240V, 50/60 Hz
- Power Supply:**
- Electronic auto range with active PFC
- MAX power consumption:**
- 1400W

THERMAL SPECIFICATION:

- MAX Ambient temperature:**
- 45°C (113°F)
- Min Ambient Temperature:**
- -20°C (-4°F)
- MAX temp. of the ext. surface:**
- 90°C (194°F)
- Total heat dissipation:**
- 3074 BTU/hr $\pm 10\%$ / 3240 kJ/hr $\pm 10\%$

SAFETY SPECIFICATIONS:

- Min. dist. of illum. objs:**
- 0.2 m (8 In)
- Min. dist. from flamm. mat.:**
- 0.2 m (8 In)
- Protections:**
- External Mains Fuse T 16A 250V - 5x20mm
 - External Fuse (to disconnect battery during flights transportation) T 6,3A 250V - 5x20mm
 - Thermally protected power supply (overheating and cooling failure)
 - Forced ventilation with axial fans

COMPLIANCE:

CE Marking (in conformity to the following):

- 2014/53/EU - Radio Equipment Directive (RED)
- 2011/65/EU - Restriction of the use of certain hazardous substances (RoHS)
- 2009/125/EC - EcoDesign requirements for Energy-related Products (ErP)

UKCA conforms to UK regulations:

- S.I. 2017 N.1206
- S.I. 2012 N.3032
- S.I. 2021 N.745

cMETus LISTED:

- UL 1573:2003
- CSA C22.2 N.166:2015

PACKAGING:

- Carton box + Polystyrene
- Carton box + Foam shell
- Flight case + Foam shell (2 positions)

WEIGHT & SIZES:

- Weight:**
- 40.7 Kg (89.7 lbs)
- Base dim.s:**
- 450 x 320 mm
 - 17.7 x 12.6 In
- Height with vert. head (h):**
- 765 mm
 - 30.1 In
- Dist. b/t 2 fixt:**
- 650 mm
 - 25.6 In

ACCESSORIES:

- Omega bracket:**
- 2x183102/805 (Included)
- ETL Power:**
- CAB02B/802 (Included)*
* Cord 1.5 m (bare end with IP65 PowerConTrue1 conn.)
- Flight case (2 pos):**
- CF1044F (Optional)
- Safety Chain:**
- 105041/001 (Optional)
- Clamp:**
- C21070 (Optional)