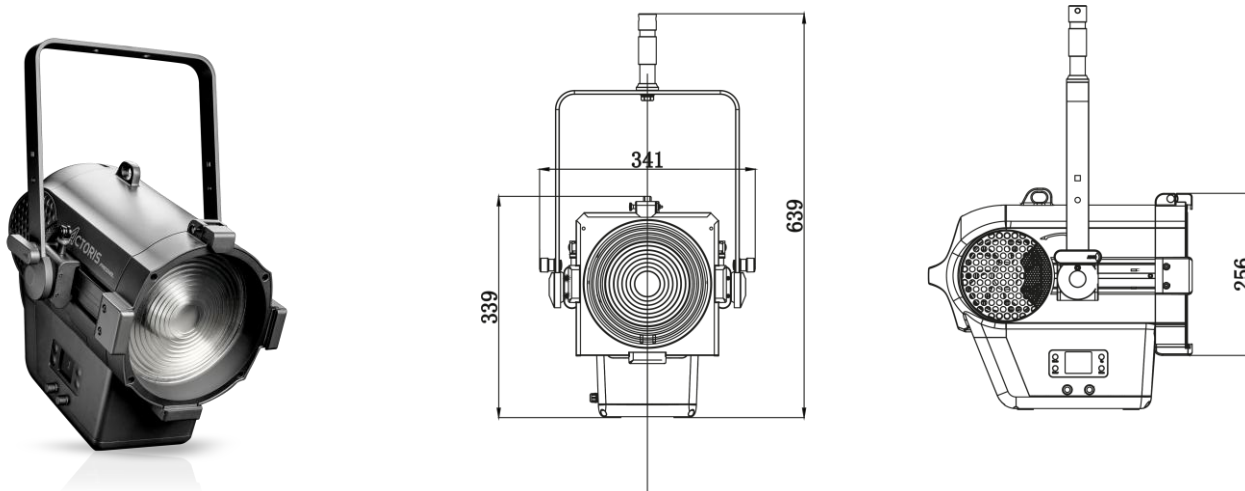


MODEL: ACTORIS FRESNEL

April 3, 2025

CODE: AL2700

WARNING: THE INFORMATION IN THIS DOCUMENT IS SUBJECT TO CHANGE WITHOUT NOTICE AND SHOULD NOT BE CONSTRUED AS A COMMITMENT BY CLAY PAKY S.R.L.



LIGHT SOURCE:

- | | |
|---------------------|--|
| Source type: | • LED (Red + Green + Blue + Amber + Lime + Royal Blue) |
| Power: | • 370 W |
| Color temp.: | • 2500 to 10.000 K – with perfect Plank-curve CCT |
| CRI: | • Up to 97 |

PHOTOMETRIC DATA:

- | | |
|-------------------|--|
| Aperture: | • 10° – 60° |
| Lm output: | • Up to 17.700 Lm (integrating sphere) |

CONTROL & CONNECTIONS:

- | | |
|--------------------|--|
| Protocols: | • DMX, Art-Net, sACN, RDM, Webserver |
| Connectors: | • Locking 5 pin XLR IN/OUT, RJ45 IN/OUT |
| Power con.: | • PowerCon True1 IN/OUT |
| Web server: | • Built-in |
| CloudIO: | • Fully compatible; On-field calibration for color consistency |

DYNAMIC EFFECTS:

- | | |
|----------------|---|
| Colors: | <ul style="list-style-type: none"> • Colors control mode RGBAL + ROYAL BLUE; • Tungsten mode, to replicate the behavior of a tungsten lamp during dimming from 0 to 100% and vice versa; • Tint correction: ± green/magenta adjustments; • Flicker-free, thanks to PWM frequency adjustment; • Color control with Advanced, Standard, White and Single-channel modes; • Red shift • Color temperature adjustment; • Wide color gamut and extended spectrum, including deep blue and deep red; • Combined fixture calibration ensures colors consistency despite changes in temperature and over time; • Wavelength binning selection and 100% fixture calibration ensures color repeatability fixture-to-fixture; |
|----------------|---|

- | | |
|------------------------|--|
| Dimmer/Shutter: | • High resolution electronic dimmer - 24 bit, 5 curves |
|------------------------|--|

HARDWARE & SOFTWARE:

- Display graphic LCD backlit B/W display
- Firmware upload from another fixture
- Firmware upgrade via Web Server
- Diagnostic; DMX monitoring

www.claypaky.com – Service Support & Helpdesk: <https://e-assist.tech>

- Remote access through RDM

HOUSING:

- Aluminum housing; one handle for transportation
- IP20 protection rate; working in any position
- Hanging system with fast-lock Omega clamps (1/4) on the base

ELECTRICAL:

- | | |
|-------------------------------|---------------------------|
| Operating voltage: | • 100 – 240 V, 50 / 60 Hz |
| MAX power consumption: | • 530 W |

THERMAL SPECIFICATIONS:

- | | |
|---------------------------------|------------------|
| MAX ambient temperature: | • 45 °C (113 °F) |
| Min ambient temperature: | • -20 °C (-4 °F) |

WEIGHT & SIZES:

- | | |
|----------------|----------------------|
| Weight: | • 13 Kg |
| Dim.s : | • 339 x 417 x 341 mm |

ACCESSORIES:

- PO Pole Operated Aluminium Yoke (bracket)