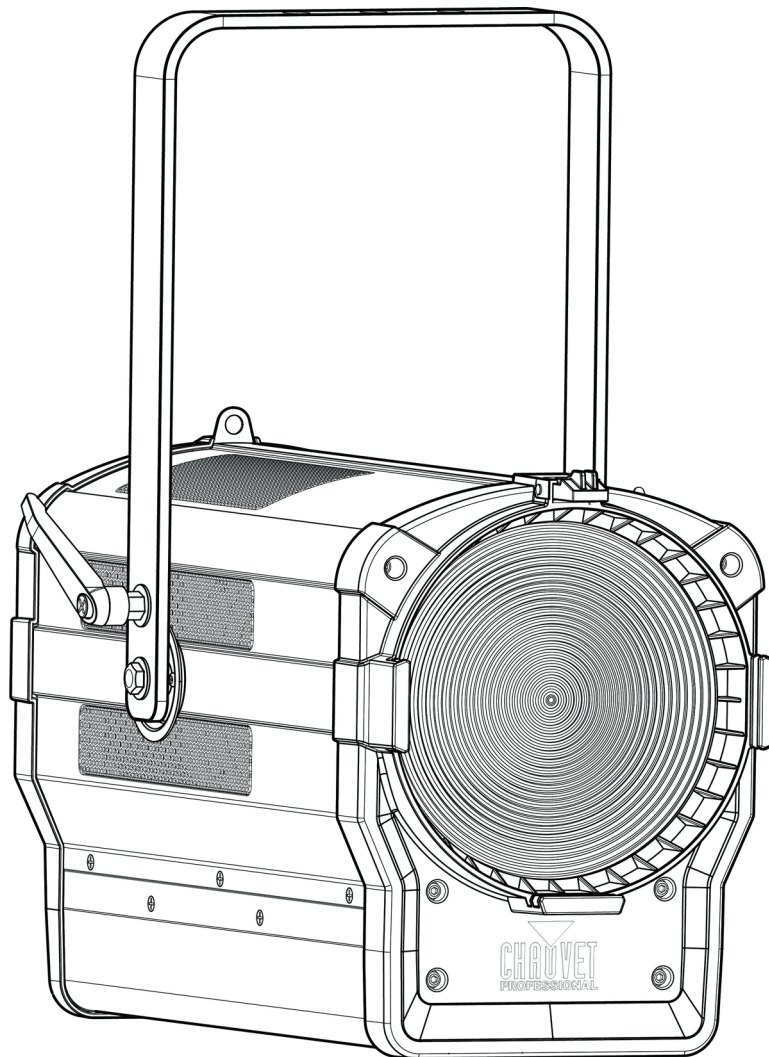


Ovation

F-915VW

Quick Reference Guide

English	EN
Español	ES
Français	FR
Deutsch	DE
Nederlands	NL



About This Guide

The Ovation F-915VW Quick Reference Guide (QRG) has basic product information such as connection, mounting, menu options, and DMX values. Download the User Manual from www.chauvetprofessional.com for more details.

Disclaimer

The information and specifications contained in this QRG are subject to change without notice.

LIMITED WARRANTY

FOR WARRANTY REGISTRATION AND COMPLETE TERMS AND CONDITIONS PLEASE VISIT OUR WEBSITE.

For Customers in the United States and Mexico: www.chauvetlighting.com/warranty-registration

For Customers in the United Kingdom, Republic of Ireland, Belgium, the Netherlands, Luxembourg, France, and Germany: www.chauvetlighting.eu/warranty-registration/

Chauvet warrants that this product shall be free from defects in material and workmanship under normal use, for the period specified in and subject to the exclusions and limitations set forth in, the full limited warranty on our website. This warranty extends only to the original purchaser of the product and is not transferable. To exercise rights under this warranty, you must provide proof of purchase in the form of an original sales receipt from an authorized dealer that shows the product name and date of purchase. THERE ARE NO OTHER EXPRESS OR IMPLIED WARRANTIES. This warranty gives you specific legal rights. You may also have other rights that vary from state to state and country to country. This warranty is valid only in the United States, United Kingdom, Republic of Ireland, Belgium, the Netherlands, Luxembourg, France, Germany, and Mexico. For warranty terms in other countries, please consult your local distributor.

Safety Notes

These Safety Notes include important information about installation, use, and maintenance.

- DO NOT open this product. It contains no user-serviceable parts.
- DO NOT look at the light source when the product is on.
- To eliminate unnecessary wear and improve its lifespan, during periods of non-use completely disconnect the product from power via breaker or by unplugging it.
- CAUTION: When transferring product from extreme temperature environments, (e.g. cold truck to warm humid ballroom) condensation may form on the internal electronics of the product. To avoid causing a failure, allow product to fully acclimate to the surrounding environment before connecting it to power.
- CAUTION: This product's housing may be hot when lights are operating.
- Mount this product in a location with adequate ventilation, at least 20 in (50 cm) from adjacent surfaces.
- DO NOT leave any flammable material within 50 cm of this product while operating or connected to power.
- USE a safety cable when mounting this product overhead.
- DO NOT operate this product outdoors or in any location where dust, excessive heat, water, or humidity may affect it. (IP20)
- DO NOT operate this product if the housing, lenses, or cables appear damaged.
- DO NOT connect this product to a dimmer or rheostat.
- ONLY connect this product to a grounded and protected circuit.
- ONLY use the hanging/mounting bracket or the handles to carry this product.
- In the event of a serious operating problem, stop using immediately.
- The maximum ambient temperature is 113 °F (45 °C). Do not operate this product at higher temperatures.

FCC Compliance

This device complies with Part 15 Part B of the FCC Rules. Operation is subject to the following two conditions:

1. This device may not cause harmful interference, and
2. This device must accept any interference received, including interference that may cause undesired operation.

Any changes or modifications not expressly approved by the party responsible for compliance could void the user's authority to operate the equipment.

Contact

Outside the US, UK, Ireland, Benelux, France, Germany, or Mexico, contact your distributor to request support or return a product. Refer to [Contact Us](#) at the end of this QRG for contact information.

What is Included

- Ovation F-915VW
- Neutrik® powerCON® power cord
- Gel frame (7.5 in/191 mm accessories)
- Quick Reference Guide

AC Power

This product has an auto-ranging power supply that can work with an input voltage range of 100–240 VAC, 50/60 Hz.

Power Linking

You can link up to 7 Ovation F-915VW products at 120 V, 13 products at 208 V, or 14 products at 230 V. Never exceed this number. Power linking cords can be purchased separately.

AC Plug

Connection	Wire (U.S.)	Wire (Europe)	Screw Color
AC Live	Black	Brown	Yellow/Brass
AC Neutral	White	Blue	Silver
AC Ground	Green/Yellow	Green/Yellow	Green



To eliminate wear and improve its lifespan, during periods of non-use completely disconnect the product from power via breaker or by unplugging it.

Replacing the Fuse

1. Disconnect this product from power.
2. Using a Phillips #2 head screwdriver, unscrew the fuse holder cap from the housing.
3. Remove blown fuse and replace with a good fuse of the same type and rating.
4. Screw the fuse holder cap back in place and reconnect power.

DMX Linking

The Ovation F-915VW will work with a DMX controller using a 3- or 5-pin DMX data connection. A DMX Primer is available from www.chauvetprofessional.com.

DMX Connection

The Ovation F-915VW uses a 3- or 5-pin DMX data connection for its 8 DMX personalities: **1 Ch, 4 Ch, 6 Ch, 7 Ch, 9 Ch, 13 Ch, 16 Ch, and 18 Ch**. See the User Manual for information about connecting and configuring the product for DMX operation.

Master/Slave Connection

The Ovation F-915VW uses the DMX data connection for its Master/Slave mode. See the User Manual for information about connect and configure the product for master/slave operation.

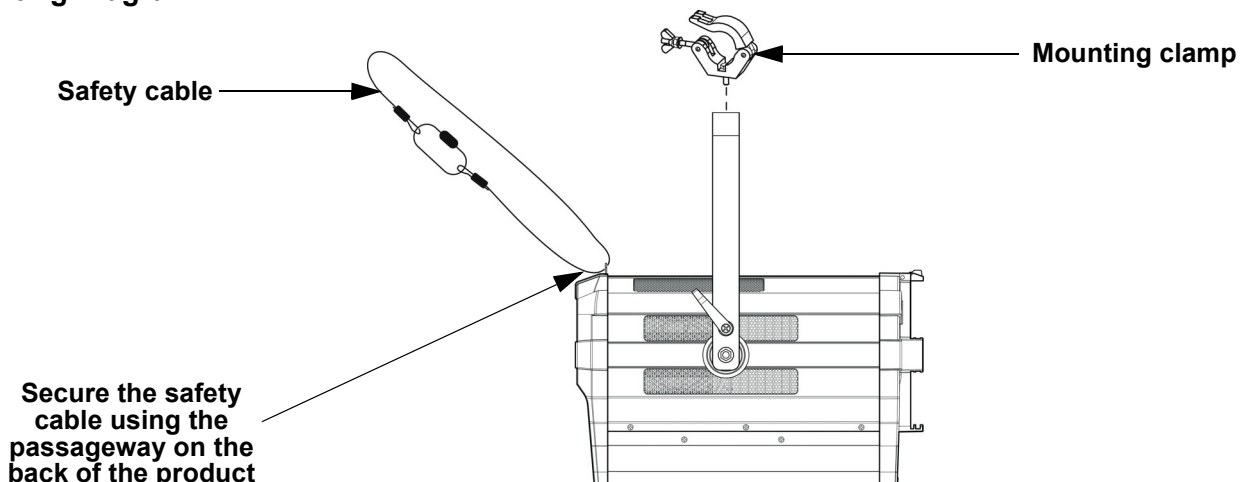
RDM (Remote Device Management)

Remote Device Management, or RDM, is a standard for allowing DMX-enabled devices to communicate bi-directionally along existing DMX cabling. The Ovation F-915VW supports RDM protocol that allows feedback to monitor temperature and changes to **DMX Address, Dimmer Channel, Dimmer Mode, and LED Frequency** menu options. Download the User Manual from www.chauvetprofessional.com for more details.

Mounting

Before mounting this product, read the [Safety Notes](#). Use at least one mounting point per product. Make sure the mounting clamps are capable of supporting the weight of the product. For our CHAUVET Professional line of mounting clamps, go to <http://trusst.com/productcategory/truss-clamps/>

Mounting Diagram



Control Panel Description

Button/Knob	Function
<MENU>	Exits from the current menu or function
<ENTER>	Enables the currently displayed menu or sets the currently selected value into the selected function
<UP>	Navigates upwards through the menu list and increases the numeric value when in a function
<DOWN>	Navigates downwards through the menu list and decreases the numeric value when in a function
<KNOB1>	Push twice, then turn to select the color temperature. Push again then turn to set the hue.
<KNOB2>	Push twice, then turn to increase or decrease the dimmer
<KNOB3>	Push twice, then turn to increase or decrease the zoom

Color Temperature Chart

DMX Channel Value	Color Temperature	DMX Channel Value	Color Temperature	DMX Channel Value	Color Temperature
000 ⇄ 005	No function	084 ⇄ 090	3900–4000K	168 ⇄ 174	5100–5200K
006 ⇄ 013	2800–2900K	091 ⇄ 097	4000–4100K	175 ⇄ 181	5200–5300K
014 ⇄ 020	2900–3000K	098 ⇄ 104	4100–4200K	182 ⇄ 188	5300–5400K
021 ⇄ 027	3000–3100K	105 ⇄ 111	4200–4300K	189 ⇄ 195	5400–5500K
028 ⇄ 034	3100–3200K	112 ⇄ 118	4300–4400K	196 ⇄ 202	5500–5600K
035 ⇄ 041	3200–3300K	119 ⇄ 125	4400–4500K	203 ⇄ 209	5600–5700K
042 ⇄ 048	3300–3400K	126 ⇄ 132	4500–4600K	210 ⇄ 216	5700–6000K
049 ⇄ 055	3400–3500K	133 ⇄ 139	4600–4700K	217 ⇄ 223	6000–6500K
056 ⇄ 062	3500–3600K	140 ⇄ 146	4700–4800K	224 ⇄ 230	6500–7000K
063 ⇄ 069	3600–3700K	147 ⇄ 153	4800–4900K	231 ⇄ 237	7000–7500K
070 ⇄ 076	3700–3800K	154 ⇄ 160	4900–5000K	238 ⇄ 244	7500–8000K
077 ⇄ 083	3800–3900K	161 ⇄ 167	5000–5100K	245 ⇄ 255	8000K



Note: The color temperatures above are simulated renditions of the color output produced as compared with a tungsten lamp at the specified color temperature. Chauvet makes no guarantee of the color output accuracy.

Menu Map

Main Level	Programming Levels	Description
DMX Address	001–509*	Selects DMX address (*highest channel restricted to personality chosen)
	1 Ch	1-channel: dimmer
	4 Ch	4-channel: dimmer, color temperature, hue, zoom
	6 Ch	6-channel: 16-bit dimmer, color temperature, hue, zoom, strobe
	7 Ch	7-channel: red, orange, green, royal blue, blue, lime, zoom
	9 Ch	9-channel: dimmer, red, orange, green, royal blue, blue, lime, strobe, zoom
	13 Ch	13-channel: dimmer, red, orange, green, royal blue, blue, lime, strobe, color temperature, hue, dimmer speed mode, zoom, motor reset
	16 Ch	16-channel: 16-bit dimmer, 16-bit red, orange, green, royal blue, blue, and lime, strobe, zoom
DMX Channel	18 Ch	18-channel: 16-bit dimmer, 16-bit red, orange, green, royal blue, blue, and lime, strobe, color temperature, hue, zoom

Main Level	Programming Levels			Description	
Static	Color Temperature	2800K	Dimmer	000–255	Sets the color temperature, dimmer, and hue (green/magenta) levels. Emulates a tungsten lamp at the specified color temperature
		2900K			
		3000K			
		3100K			
		3200K			
		3300K			
		3400K			
		3500K			
		3600K			
		3700K			
		3800K			
		3900K			
		4000K			
		4100K			
		4200K			
		4300K			
		4400K			
		4500K			
		4600K			
		4700K			
		4800K			
		4900K			
		5000K			
		5100K			
		5200K			
		5300K			
		5400K			
	5500K	Hue	-25–25		
	5600K				
	5700K				
	6000K				
	6500K				
	7000K				
7500K					
8000K					
Manual Color Mixer	Red	<000–255>	Combine red, orange, green, royal blue, blue, and lime LEDs to make a custom color (0–100%)		
	Orange	<000–255>			
	Green	<000–255>			
	Royal Blue	<000–255>			
	Blue	<000–255>			
	Lime	<000–255>			
Zoom	0–255			Controls zoom	
Master/Slave	Master			DMX mode (Master)	
	Slave			Slave mode	
Dimmer Mode	Off			Linear dimmer	
	Dimmer 1–3			Dimming curves Dimmer 1 (fast) to Dimmer 3 (slow)	
	Off			Uses factory default white setting	
White Balance	Manual	Red	<125–255>	Sets red LED maximum value	
		Orange	<125–255>	Sets orange LED maximum value	
		Green	<125–255>	Sets green LED maximum value	
		Royal Blue	<125–255>	Sets royal blue LED maximum value	
		Blue	<125–255>	Sets blue LED maximum value	
		Lime	<125–255>	Sets lime LED maximum value	

Main Level	Programming Levels		Description
LED Frequency	600Hz		Sets the PWM frequency
	1200Hz		
	2000Hz		
	4000Hz		
	6000Hz		
	25KHz		
Fan Mode	Auto		Sets the fan to auto mode
	On		Sets the fan to always on
	Off		Sets the fan to always off
	Silent		Sets the fan to silent
Back Light	10S		Turns off display backlight after 10 seconds of inactivity
	30S		Turns off display backlight after 30 seconds of inactivity
	2Min		Turns off display backlight after 2 minutes of inactivity
	On		Display backlight always on
Information	Fixture Hours	<_ _ _ _H>	Shows total hours the product has been powered on
	Version	<V_._>	Shows current firmware version
	UID	<_ _ _ _ _ _ _ _ _ _>	Shows product UID
Reset Factory	No		Resets the product to factory default settings
	Yes		

DMX Values

18 Ch

Channel	Function	Value	Percent/Setting
1	Dimmer	000 ⇔ 255	0–100%
2	Dimmer fine	000 ⇔ 255	0–100%
3	Red	000 ⇔ 255	0–100%
4	Red fine	000 ⇔ 255	0–100%
5	Orange	000 ⇔ 255	0–100%
6	Orange fine	000 ⇔ 255	0–100%
7	Green	000 ⇔ 255	0–100%
8	Green fine	000 ⇔ 255	0–100%
9	Royal blue	000 ⇔ 255	0–100%
10	Royal blue fine	000 ⇔ 255	0–100%
11	Blue	000 ⇔ 255	0–100%
12	Blue fine	000 ⇔ 255	0–100%
13	Lime	000 ⇔ 255	0–100%
14	Lime fine	000 ⇔ 255	0–100%
15	Strobe	000 ⇔ 010	No function
		011 ⇔ 255	Strobe, slow to fast
16	Color temperature	000 ⇔ 255	See Color Temperature Chart
17	Hue	000 ⇔ 255	-25–25
18	Zoom	000 ⇔ 255	Narrow to wide

16 Ch

Channel	Function	Value	Percent/Setting
1	Dimmer	000 ⇄ 255	0–100%
2	Dimmer fine	000 ⇄ 255	0–100%
3	Red	000 ⇄ 255	0–100%
4	Red fine	000 ⇄ 255	0–100%
5	Orange	000 ⇄ 255	0–100%
6	Orange fine	000 ⇄ 255	0–100%
7	Green	000 ⇄ 255	0–100%
8	Green fine	000 ⇄ 255	0–100%
9	Royal blue	000 ⇄ 255	0–100%
10	Royal Blue fine	000 ⇄ 255	0–100%
11	Blue	000 ⇄ 255	0–100%
12	Blue fine	000 ⇄ 255	0–100%
13	Lime	000 ⇄ 255	0–100%
14	Lime fine	000 ⇄ 255	0–100%
15	Strobe	000 ⇄ 010	No function
		011 ⇄ 255	Strobe, slow to fast
16	Zoom	000 ⇄ 255	Narrow to wide

13 Ch

Channel	Function	Value	Percent/Setting
1	Dimmer	000 ⇄ 255	0–100%
2	Red	000 ⇄ 255	0–100%
3	Orange	000 ⇄ 255	0–100%
		000 ⇄ 255	0–100%
5	Royal blue	000 ⇄ 255	0–100%
6	Blue	000 ⇄ 255	0–100%
7	Lime	000 ⇄ 255	0–100%
8	Strobe	000 ⇄ 010	No function
		011 ⇄ 255	Strobe, slow to fast
9	Color temperature	000 ⇄ 255	See Color Temperature Chart
10	Hue	000 ⇄ 255	-25–25
11	Dimmer speed mode	000 ⇄ 051	No function
		052 ⇄ 101	Dimmer speed mode off
		102 ⇄ 152	Dimmer speed mode 1
		153 ⇄ 203	Dimmer speed mode 2
		204 ⇄ 255	Dimmer speed mode 3
12	Zoom	000 ⇄ 255	Narrow to wide
13	Motor reset	000 ⇄ 200	No function
		201 ⇄ 220	Motor reset
		221 ⇄ 255	No function

Hold for 3 seconds:
Overrides and changes
menu selection

9 Ch

Channel	Function	Value	Percent/Setting
1	Dimmer	000 ⇄ 255	0–100%
2	Red	000 ⇄ 255	0–100%
3	Orange	000 ⇄ 255	0–100%
4	Green	000 ⇄ 255	0–100%
5	Royal blue	000 ⇄ 255	0–100%
6	Blue	000 ⇄ 255	0–100%
7	Lime	000 ⇄ 255	0–100%
8	Strobe	000 ⇄ 010	No function
		011 ⇄ 255	Strobe, slow to fast
9	Zoom	000 ⇄ 255	Narrow to wide

EN

7 Ch

Channel	Function	Value	Percent/Setting
1	Red	000 ⇔ 255	0–100%
2	Orange	000 ⇔ 255	0–100%
3	Green	000 ⇔ 255	0–100%
4	Royal blue	000 ⇔ 255	0–100%
5	Blue	000 ⇔ 255	0–100%
6	Lime	000 ⇔ 255	0–100%
7	Zoom	000 ⇔ 255	Narrow to wide

6 Ch

Channel	Function	Value	Percent/Setting
1	Dimmer	000 ⇔ 255	0–100%
2	Dimmer fine	000 ⇔ 255	0–100%
3	Color temperature	000 ⇔ 255	See Color Temperature Chart
4	Hue	000 ⇔ 255	-25–25
5	Zoom	000 ⇔ 255	Narrow to wide
6	Strobe	000 ⇔ 010	No function
		011 ⇔ 255	Strobe, slow to fast

4 Ch

Channel	Function	Value	Percent/Setting
1	Dimmer	000 ⇔ 255	0–100%
2	Color temperature	000 ⇔ 255	See Color Temperature Chart
3	Hue	000 ⇔ 255	-25–25
4	Zoom	000 ⇔ 255	Narrow to wide

1 Ch

Channel	Function	Value	Percent/Setting
1	Dimmer	000 ⇔ 255	0–100%

Acerca de Esta Guía

La Guía de Referencia Rápida (GRR) del Ovation F-915VW contiene información básica sobre el producto, como montaje, opciones de menú y valores DMX. Descargue el manual de usuario de www.chauvetprofessional.com para información más detallada.

Exención de Responsabilidad

La información y especificaciones contenidas en esta GRR están sujetas a cambio sin previo aviso.

GARANTÍA LIMITADA

PARA VER EL REGISTRO DE GARANTÍA Y LOS TÉRMINOS Y CONDICIONES COMPLETOS, VISITE NUESTRO SITIO WEB.

Para clientes en los Estados Unidos y México: www.chauvetlighting.com/warranty-registration

Para clientes en Reino Unido, República de Irlanda, Bélgica, Países Bajos, Luxemburgo, Francia y Alemania: www.chauvetlighting.eu/warranty-registration/

Chauvet garantiza que este producto estará libre de defectos de material y mano de obra en condiciones de uso normales, durante el periodo especificado, sujeto siempre a las exclusiones y limitaciones establecidas en la garantía limitada completa de nuestro sitio web. Esta garantía se concede únicamente al comprador original del producto y no es transferible. Para ejercer los derechos que otorga esta garantía, usted debe proporcionar una prueba de compra en forma de un recibo de compra original, expedido por un distribuidor autorizado, donde figure el nombre del producto y la fecha de compra. **NO EXISTEN OTRAS GARANTÍAS EXPRESAS NI IMPLÍCITAS.** Esta garantía le otorga derechos legales específicos. Es posible que a usted le asistan otros derechos, que variarán dependiendo del estado o del país. Esta garantía solamente es válida en los Estados Unidos, Reino Unido, República de Irlanda, Bélgica, Países Bajos, Luxemburgo, Francia, Alemania y México. Para conocer los términos de garantía en otros países, consulte a su distribuidor local.

Notas de Seguridad

Estas notas de seguridad incluyen información importante sobre el montaje, uso y mantenimiento.

- NO abra este producto. No contiene piezas reparables por el usuario.
- NO mire a la fuente de luz cuando el producto esté encendido.
- Para evitar un desgaste innecesario y alargar su vida útil, desconecte complemente el producto de la alimentación, mediante el interruptor o desenchufándolo, durante los periodos en los que no se use.
- Cuidado: cuando transfiera el producto desde ambientes con temperatura extrema (p. ej., del remolque frío de un camión a una sala de baile con calor y humedad), puede formarse condensación en la electrónica interna del producto. Para evitar que se produzca una avería, deje que el producto se aclimate completamente al ambiente antes de conectar la alimentación.
- ¡CUIDADO! La carcasa de este producto está caliente cuando las luces están en funcionamiento.
- Monte este producto en una ubicación con ventilación adecuada, al menos a 20" (50 cm) de superficies adyacentes.
- NO deje ningún material inflamable a menos de 50 cm de este producto mientras esté funcionando o conectado a la alimentación.
- USE un cable de seguridad cuando monte este producto en lo alto.
- NO ponga en funcionamiento este producto en el exterior o en cualquier ubicación en la que el polvo, calor excesivo, agua o humedad puedan afectarlo. (IP20)
- NO ponga en funcionamiento este producto si sospecha que la carcasa, lentes o cables están dañados.
- NO conecte este producto a un atenuador o reostato.
- Conecte este producto SOLO a un circuito con toma de tierra y protegido.
- Use SOLAMENTE los soportes de colgar/montar o las asas para mover este producto.
- En caso de un problema grave de funcionamiento, deje de usarlo inmediatamente.
- La máxima temperatura ambiente es de 113 °F (45 °C). No haga funcionar este producto a temperaturas más altas.

Cumplimiento de la FCC

Este dispositivo cumple la parte 15, parte B de las normas FCC. El Funcionamiento está supeditado al cumplimiento de estas dos condiciones:

1. Este dispositivo no puede causar interferencias perjudiciales; y
2. Este dispositivo debe aceptar cualquier interferencia recibida, incluyendo las interferencias que puedan causar un funcionamiento no deseado.

Cualquier cambio o modificación que no haya sido expresamente autorizado por la parte responsable de conformidad puede anular la potestad del usuario para hacer funcionar el equipo.

Contacto

Fuera de EE.UU, Reino Unido, Irlanda, Francia, Alemania, México o Benelux, póngase en contacto con su distribuidor para solicitar asistencia o devolver el producto. Consulte [Contact Us](#) para información de contacto.

Qué va Incluido

- Ovation F-915VW
- Cable de Alimentación Neutrik® powerCON®
- Marco de gel (Accesorios de 191 mm/7,5 in)
- Guía de Referencia Rápida

Corriente Alterna

Este producto tiene una fuente de alimentación con detección automática que puede funcionar con un rango de tensión de entrada de 100–240 VCA, 50/60 Hz.

Alimentación en Cadena

Puede enlazar hasta 7 productos Ovation F-915VW a 120 V, 13 productos a 208 V o 14 productos a 230 V. Los cables de alimentación en cadena se pueden adquirir por separado.

Enchufe CA

Conexión	Cable (EE.UU)	Cable (Europa)	Color del Tornillo
CA Cargado	Negro	Marrón	Amarillo/Bronce
CA Neutro	Blanco	Azul	Plata
CA Tierra	Verde/Amarillo	Verde/Amarillo	Verde



Para evitar un desgaste innecesario y alargar su vida útil, desconecte complemente el producto de la alimentación, mediante el interruptor o desenchufándolo, durante los periodos en los que no se use.

Sustitución del Fusible

1. Desconecte el producto de la toma de corriente.
2. Con un destornillador de estrella N°2 desatornille la tapa del portafusibles.
3. Quite el fusible fundido del portafusibles y sustitúyalo con otro del mismo tipo y categoría.
4. Vuelva a atornillar la tapa del portafusibles en su sitio y conecte de nuevo la alimentación.

DMX Linking

El Ovation F-915VW funcionará con un controlador DMX usando una conexión serie DMX normal. Hay un Manual DMX disponible en www.chauvetprofessional.com.

Conexión DMX

El Ovation F-915VW usa una conexión de datos DMX normal para sus 8 personalidades DMX: **1 Ch, 4 Ch, 6 Ch, 7 Ch, 9 Ch, 13 Ch, 16 Ch y 18 Ch**. Vea el Manual de usuario para conectar y configurar para funcionamiento DMX

Conexión Maestro/Esclavo

El Ovation F-915VW usa la conexión de datos DMX para su modo Maestro/Esclavo Vea el Manual de usuario para conectar y configurar para funcionamiento Maestro/Esclavo.

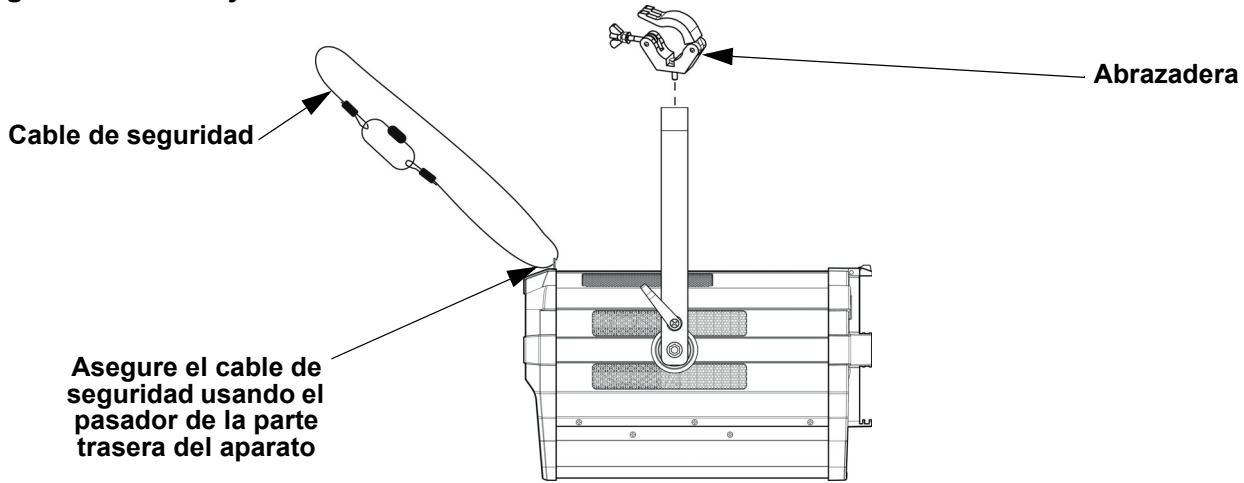
RDM (gestión remota del dispositivo)

Remote Device Management (gestión remota del dispositivo) o RDM, es un estándar que permite a los dispositivos con capacidad DMX una comunicación bidireccional por un cableado DMX existente. El Ovation F-915VW admite protocolo RDM, que posibilita información para supervisar la temperatura y cambiar las opciones del menú **DMX Address, DMX Channel, Dimmer Mode y LED Frequency**. Descargue el manual de usuario de www.chauvetprofessional.com para una información más detallada.

Montaje

Antes de montar este producto, lea las [Notas de Seguridad](#). Utilice al menos dos puntos de montaje por producto. Asegúrese de que las abrazaderas de montaje son capaces de soportar el peso del producto. Para nuestra línea Chauvet de abrazaderas de montaje, visite <http://trusst.com/productcategory/truss-clamps/>.

Diagrama de Montaje



Descripción del Panel de Control

Botón/Mando	Función
<MENU>	Sale del menú o función actual
<ENTER>	Habilita el menú actualmente en pantalla o configura el valor seleccionado actualmente dentro de la función seleccionada
<UP>	Navega hacia arriba por la lista de menú y aumenta el valor numérico cuando está en una función
<DOWN>	Navega hacia abajo por la lista de menú y disminuye el valor numérico cuando está en una función
<KNOB1>	Empuje una vez y después gire para seleccionar la temperatura de color. Empuje de nuevo y después gire para seleccionar el matiz.
<KNOB2>	Empuje y después gire para aumentar o reducir el atenuador
<KNOB3>	Empuje y después gire para aumentar o reducir el zoom

Gráfico de temperaturas de color

Valor del Canal DMX	Temperatura de color	Valor del Canal DMX	Temperatura de color	Valor del Canal DMX	Temperatura de color
000 ⇔ 005	No función	084 ⇔ 090	3900–4000K	168 ⇔ 174	5100–5200K
006 ⇔ 013	2800–2900K	091 ⇔ 097	4000–4100K	175 ⇔ 181	5200–5300K
014 ⇔ 020	2900–3000K	098 ⇔ 104	4100–4200K	182 ⇔ 188	5300–5400K
021 ⇔ 027	3000–3100K	105 ⇔ 111	4200–4300K	189 ⇔ 195	5400–5500K
028 ⇔ 034	3100–3200K	112 ⇔ 118	4300–4400K	196 ⇔ 202	5500–5600K
035 ⇔ 041	3200–3300K	119 ⇔ 125	4400–4500K	203 ⇔ 209	5600–5700K
042 ⇔ 048	3300–3400K	126 ⇔ 132	4500–4600K	210 ⇔ 216	5700–6000K
049 ⇔ 055	3400–3500K	133 ⇔ 139	4600–4700K	217 ⇔ 223	6000–6500K
056 ⇔ 062	3500–3600K	140 ⇔ 146	4700–4800K	224 ⇔ 230	6500–7000K
063 ⇔ 069	3600–3700K	147 ⇔ 153	4800–4900K	231 ⇔ 237	7000–7500K
070 ⇔ 076	3700–3800K	154 ⇔ 160	4900–5000K	238 ⇔ 244	7500–8000K
077 ⇔ 083	3800–3900K	161 ⇔ 167	5000–5100K	245 ⇔ 255	8000K



Nota: Las temperaturas de color que aparecen arriba son interpretaciones simuladas de la emisión de color producida cuando se compara con una lámpara de tungsteno a la temperatura de color especificada. Chauvet no garantiza la exactitud del color emitido.

Mapa de Menú

Nivel Principal	Niveles de Programación			Descripción	
DMX Address	001–509*			Selecciona la dirección de inicio (canal más alto restringido a la elección de personalidad)	
DMX Channel	1 Ch			1-canal: atenuador	
	4 Ch			4-canales: atenuador, temperatura de color, matiz, zoom	
	6 Ch			6-canales: 16 bits atenuador, temperatura de color, matiz, zoom, estroboscopio	
	7 Ch			7-canales: rojo, naranja, verde, azul real, azul, lime, zoom	
	9 Ch			9-canales: atenuador, rojo, naranja, verde, azul real, azul, lime, estroboscopio, zoom	
	13 Ch			13-canales: atenuador, rojo, naranja, verde, azul real, azul, lime, estroboscopio, temperatura de color, matiz, velocidad atenuador, zoom, reinicio del motor	
	16 Ch			16-canales: 16 bits atenuador, 16 bits rojo, naranja, verde, azul real, azul y lime, estroboscopio, zoom	
Static	Color Temperature	2800K		Dimmer 000–255	Establece la temperatura de color y niveles atenuador y matiz (verde/magenta). Emula una lámpara de tungsteno a la temperatura de color especificada
		2900K			
		3000K			
		3100K			
		3200K			
		3300K			
		3400K			
		3500K			
		3600K			
		3700K			
		3800K			
		3900K			
		4000K			
		4100K			
		4200K			
		4300K			
		4400K			
		4500K			
		4600K			
		4700K			
		4800K			
		4900K			
		5000K			
		5100K			
		5200K			
		5300K			
		5500K			
5600K					
5700K					
6000K					
6500K					
7000K					
7500K					
8000K					
		Hue		-25–25	

Nivel Principal	Niveles de Programación		Descripción	
Static	Manual Color Mixer	Red	<000–255>	Combina rojo, naranja, verde, azul real, azul y lime para generar un color personalizado (0–100%)
		Orange	<000–255>	
		Green	<000–255>	
		Royal Blue	<000–255>	
		Blue	<000–255>	
		Lime	<000–255>	
Zoom	0–255		Controla el zoom	
Master/Slave	Master		Modo DMX (maestro)	
	Slave		Modo esclavo	
Dimmer Mode	Off		Atenuador lineal	
	Dimmer 1–3		Curvas de atenuador rápido (Dimmer 1) a lento (Dimmer 3)	
White Balance	Off		Utiliza la configuración de blanco predeterminada de fábrica	
	Manual	Red	<125–255>	Establece el valor máximo de LED rojo
		Orange	<125–255>	Establece el valor máximo de LED naranja
		Green	<125–255>	Establece el valor máximo de LED verde
		Royal Blue	<125–255>	Establece el valor máximo de LED azul real
		Blue	<125–255>	Establece el valor máximo de LED azul
Lime	<125–255>	Establece el valor máximo de LED lime		
LED Frequency	600Hz		Selecciona la frecuencia de emisión PWM	
	1200Hz			
	2000Hz			
	4000Hz			
	6000Hz			
	25KHz			
Fan Mode	Auto		Establece el ventilador a modo auto	
	On		Establece el ventilador a modo siempre encendido	
	Off		Establece el ventilador siempre apagado	
	Silent		Establece el ventilador en silencio	
Back Light	10S		Retro-iluminación de la pantalla se apaga después de 10 segundos de inactividad	
	30S		Retro-iluminación de la pantalla se apaga después de 30 segundos de inactividad	
	2Min		Retro-iluminación de la pantalla se apaga después de 2 minutos de inactividad	
	On		Retro-iluminación de la pantalla siempre activa	
Information	Fixture Hours	<_ _ _ _ H>	Muestra el nombre total de las horas del producto	
	Version	<V _ _>	Muestra instalada la versión de firmware	
	UID	<_ _ _ _ _ _ _ _>	Muestra el UID # del producto	
Reset Factory	No		Reinicia a la configuración de fábrica	
	Yes			

ES

Valores DMX

18 Ch

Canal	Función	Valor	Porcentaje/Configuración
1	Atenuador	000 ⇔ 255	0–100%
2	Atenuador fino	000 ⇔ 255	0–100%
3	Rojo	000 ⇔ 255	0–100%
4	Rojo fino	000 ⇔ 255	0–100%
5	Naranja	000 ⇔ 255	0–100%
6	Naranja fino	000 ⇔ 255	0–100%
7	Verde	000 ⇔ 255	0–100%
8	Verde fino	000 ⇔ 255	0–100%
9	Azul real	000 ⇔ 255	0–100%
10	Azul real fino	000 ⇔ 255	0–100%
11	Azul	000 ⇔ 255	0–100%
12	Azul fino	000 ⇔ 255	0–100%
13	Lime	000 ⇔ 255	0–100%
14	Lime fino	000 ⇔ 255	0–100%
15	Estroboscopio	000 ⇔ 010 011 ⇔ 255	Sin función Estroboscopio, lento a rápido
16	Temperatura de color	000 ⇔ 255	Vea Gráfico de temperaturas de color
17	Matiz	000 ⇔ 255	-25–25
18	Zoom	000 ⇔ 255	Estrecho a ancho

16 Ch

Canal	Función	Valor	Porcentaje/Configuración
1	Atenuador	000 ⇔ 255	0–100%
2	Atenuador fino	000 ⇔ 255	0–100%
3	Rojo	000 ⇔ 255	0–100%
4	Rojo fino	000 ⇔ 255	0–100%
5	Naranja	000 ⇔ 255	0–100%
6	Naranja fino	000 ⇔ 255	0–100%
7	Verde	000 ⇔ 255	0–100%
8	Verde fino	000 ⇔ 255	0–100%
9	Azul real	000 ⇔ 255	0–100%
10	Azul real fino	000 ⇔ 255	0–100%
11	Azul	000 ⇔ 255	0–100%
12	Azul fino	000 ⇔ 255	0–100%
13	Lime	000 ⇔ 255	0–100%
14	Lime fino	000 ⇔ 255	0–100%
15	Estroboscopio	000 ⇔ 010 011 ⇔ 255	Sin función Estroboscopio, lento a rápido
16	Zoom	000 ⇔ 255	Estrecho a ancho

13 Ch

Canal	Función	Valor	Porcentaje/Configuración	
1	Atenuador	000 ⇄ 255	0–100%	
2	Rojo	000 ⇄ 255	0–100%	
3	Naranja	000 ⇄ 255	0–100%	
	Verde	000 ⇄ 255	0–100%	
5	Azul real	000 ⇄ 255	0–100%	
6	Azul	000 ⇄ 255	0–100%	
7	Lime	000 ⇄ 255	0–100%	
8	Estroboscopio	000 ⇄ 010 011 ⇄ 255	Sin función Estroboscopio, lento a rápido	
9	Temperatura de color	000 ⇄ 255	Vea Gráfico de temperaturas de color	
10	Matiz	000 ⇄ 255	-25–25	
11	Velocidad Atenuador	000 ⇄ 051 052 ⇄ 101 102 ⇄ 152 153 ⇄ 203 204 ⇄ 255	Sin función Atenuador lineal Curva de atenuador 1 Curva de atenuador 2 Curva de atenuador 3	Mantenga pulsado durante 3 segundos: Anula y cambia la selección del menú
12	Zoom	000 ⇄ 255	Estrecho a ancho	
13	Reinicio del motor	000 ⇄ 200 201 ⇄ 220 221 ⇄ 255	Sin función Reinicio del motor Sin función	

9 Ch

Canal	Función	Valor	Porcentaje/Configuración
1	Atenuador	000 ⇄ 255	0–100%
2	Rojo	000 ⇄ 255	0–100%
3	Naranja	000 ⇄ 255	0–100%
4	Verde	000 ⇄ 255	0–100%
5	Azul real	000 ⇄ 255	0–100%
6	Azul	000 ⇄ 255	0–100%
7	Lime	000 ⇄ 255	0–100%
8	Estroboscopio	000 ⇄ 010 011 ⇄ 255	Sin función Estroboscopio, lento a rápido
9	Zoom	000 ⇄ 255	Estrecho a ancho

7 Ch

Canal	Función	Valor	Porcentaje/Configuración
1	Rojo	000 ⇄ 255	0–100%
2	Naranja	000 ⇄ 255	0–100%
3	Verde	000 ⇄ 255	0–100%
4	Azul real	000 ⇄ 255	0–100%
5	Azul	000 ⇄ 255	0–100%
6	Lime	000 ⇄ 255	0–100%
7	Zoom	000 ⇄ 255	Estrecho a ancho

ES

6 Ch

Canal	Función	Valor	Porcentaje/Configuración
1	Atenuador	000 ⇔ 255	0–100%
2	Atenuador fino	000 ⇔ 255	0–100%
3	Temperatura de color	000 ⇔ 255	Vea Gráfico de temperaturas de color
4	Matiz	000 ⇔ 255	-25–25
5	Zoom	000 ⇔ 255	Estrecho a ancho
6	Estroboscopio	000 ⇔ 010	Sin función
		011 ⇔ 255	Estroboscopio, lento a rápido

4 Ch

Canal	Función	Valor	Porcentaje/Configuración
1	Atenuador	000 ⇔ 255	0–100%
2	Temperatura de color	000 ⇔ 255	Vea Gráfico de temperaturas de color
3	Matiz	000 ⇔ 255	-25–25
4	Zoom	000 ⇔ 255	Estrecho a ancho

1 Ch

Canal	Función	Valor	Porcentaje/Configuración
1	Atenuador	000 ⇔ 255	0–100%

À Propos de ce Manuel

Le Manuel de Référence (MdR) Ovation F-915VW reprend des informations de base sur ce produit notamment en matière de connexions, montage, options de menu et valeurs DMX. Téléchargez le manuel d'utilisation sur www.chauvetprofessional.com pour de plus amples informations.

Clause de Non-Responsabilité

Les informations et caractéristiques contenues dans ce manuel sont sujettes à changement sans préavis.

GARANTIE LIMITÉE

VEUILLEZ VISITER NOTRE SITE INTERNET POUR CONSULTER LES MODALITÉS D'ENREGISTREMENT DE LA GARANTIE ET LES CONDITIONS GÉNÉRALES COMPLÈTES.

Pour les clients aux États-Unis et au Mexique: www.chauvetlighting.com/warranty-registration

Pour les clients du Royaume-Uni, de la République d'Irlande, de la Belgique, des Pays-Bas, du Luxembourg, de la France et de l'Allemagne: www.chauvetlighting.eu/warranty-registration/

Chauvet garantit que cet appareil est exempt de défauts de matériaux et de fabrication dans des conditions normales d'utilisation, pendant la période spécifiée dans la garantie limitée complète consultable sur notre site Internet et sous réserve des exclusions et limitations qui y sont énoncées. Cette garantie ne s'applique qu'à l'acheteur initial du produit et n'est pas transférable. Pour exercer les droits prévus par cette garantie, vous devez fournir une preuve d'achat sous la forme d'un reçu de vente original d'un revendeur autorisé qui indique le nom du produit et la date d'achat. IL N'EXISTE AUCUNE AUTRE GARANTIE EXPRESSE OU IMPLICITE. Cette garantie vous confère des droits légaux spécifiques. Vous pouvez également bénéficier d'autres droits qui varient selon les états et les pays. Cette garantie n'est valable qu'aux États-Unis, au Royaume-Uni, en République d'Irlande, en Belgique, aux Pays-Bas, au Luxembourg, en France, en Allemagne et au Mexique. Pour connaître les conditions de garantie dans d'autres pays, veuillez consulter votre revendeur local.

Consignes de Sécurité

Ces consignes de sécurité contiennent des informations importantes en matière d'installation, d'utilisation et d'entretien.

- N'ouvrez PAS ce produit. Il ne contient aucun composant susceptible d'être réparé par l'utilisateur.
- Ne regardez PAS la source lumineuse lorsque le produit fonctionne.
- Durant les périodes de non-utilisation, pour éviter toute usure inutile et pour prolonger la durée de vie, déconnectez entièrement l'appareil en le débranchant de l'alimentation électrique ou en coupant le disjoncteur.
- ATTENTION: Lorsque l'appareil est transféré d'un environnement à température extrême à un autre (par exemple d'un camion froid vers une salle de bal chaude et humide), de la condensation peut se former sur les composants électriques internes. Pour éviter de causer des dommages, laissez l'appareil s'acclimater entièrement au milieu environnant avant de le mettre sous tension.
- ATTENTION: le boîtier de ce produit est brûlant lors du fonctionnement.
- Montez toujours ce produit dans un endroit bien ventilé, à au moins, 20 pouces (50 cm) des surfaces adjacentes.
- Ne laissez AUCUNE source inflammable dans un rayon de 50 cm du produit lorsque celui-ci fonctionne.
- Utilisez TOUJOURS un câble de sécurité lorsque vous montez ce produit en hauteur.
- N'utilisez PAS ce produit en extérieur ou tout autre endroit où de la poussière, une chaleur excessive, de l'eau ou de l'humidité pour en affecter le fonctionnement. (IP20)
- N'utilisez PAS ce produit si le boîtier, les lentilles ou les câbles vous semblent endommagés.
- Ne connectez PAS ce produit ni à un gradateur ni à un rhéostat.
- Connectez UNIQUEMENT ce produit à un circuit protégé et relié à la terre.
- Transportez/Suspendez ce produit UNIQUEMENT au moyen de la poignée ou lyre de suspension dont il est doté.
- En cas de sérieux problèmes de fonctionnement, arrêtez le système immédiatement.
- La température ambiante maximale supportée par ce produit est de 113 °F (45 °C). Ne le faites pas fonctionner à des températures plus élevées.

Conformité FCC

Cet appareil est conforme à la partie 15, sous-partie B du règlement de la FCC. L'utilisation est soumise aux deux conditions suivantes:

1. Cet appareil ne doit pas causer d'interférences nuisibles, et
2. Cet appareil doit accepter toutes les interférences reçues, y compris celles pouvant entraîner un fonctionnement indésirable.

Tout changement ou modification non expressément approuvé par l'autorité responsable de la conformité pourrait annuler le droit de l'utilisateur à utiliser l'équipement.

Contact

En dehors des États-Unis, du Royaume-Uni et de l'Irlande, de la France, de l'Allemagne, du Mexique, et de Benelux contactez votre fournisseur si vous avez besoin d'assistance ou de retourner votre produit. Consultez [Contact Us](#) pour trouver nos coordonnées.

Ce qui est inclus

- Ovation F-915VW
- Un Cordon d'Alimentation Neutrik® powerCON®
- Cadre pour gélatine (191 mm/7,5 in accessoires)
- Un Manuel de Référence

Alimentation CA

Ce produit est doté d'une alimentation universelle prenant en charge toute tension d'entrée comprise entre 100 et 240 VCA, 50/60 Hz.

Connexion Électrique

Vous pouvez connecter jusqu'à 7 Ovation F-915VW à 120 V, 13 unités à 208 V ou 14 unités à 230 V. Vous pouvez vous procurer séparément des cordons d'alimentation.

Prise CA

Connexion	Câble (États-Unis)	Câble (Europe)	Couleur de la Vis
Conducteur CA	Noir	Marron	Jaune/Cuivré
Neutre CA	Blanc	Bleu	Argenté
Terre CA	Vert/Jaune	Vert/Jaune	Vert



Durant les périodes de non-utilisation, pour éviter toute usure inutile et pour prolonger la durée de vie, déconnectez-entièrement l'appareil en le débranchant de l'alimentation électrique ou en coupant le disjoncteur.

Remplacement du Fusible

1. Débranchez l'appareil de la prise.
2. À l'aide d'un tournevis Philips à tête n° 2, dévissez le couvercle du porte-fusible.
3. Remplacez le fusible obsolète par un fusible neuf équivalent
4. Revissez le couvercle du porte-fusible et rebranchez l'unité.

Raccordement DMX

Le Ovation F-915VW fonctionnera avec une console DMX au moyen de connexions DMX en série standard. Une introduction au DMX est à votre disposition sur www.chauvetprofessional.com.

Connexion DMX

Le Ovation F-915VW utilise une connexion de données DMX standard pour ses 8 personnalités DMX: **1 Ch, 4 Ch, 6 Ch, 7 Ch, 9 Ch, 13 Ch, 16 Ch** et **18 Ch**. Consultez le manuel d'utilisation pour connecter et configurer le système DMX.

Connexion Maître/Esclave

Le Ovation F-915VW utilise une connexion de données DMX pour son mode Maître/Esclave. Consultez le Manuel d'Utilisation pour connecter et configurer le mode de fonctionnement Maître/Esclave.

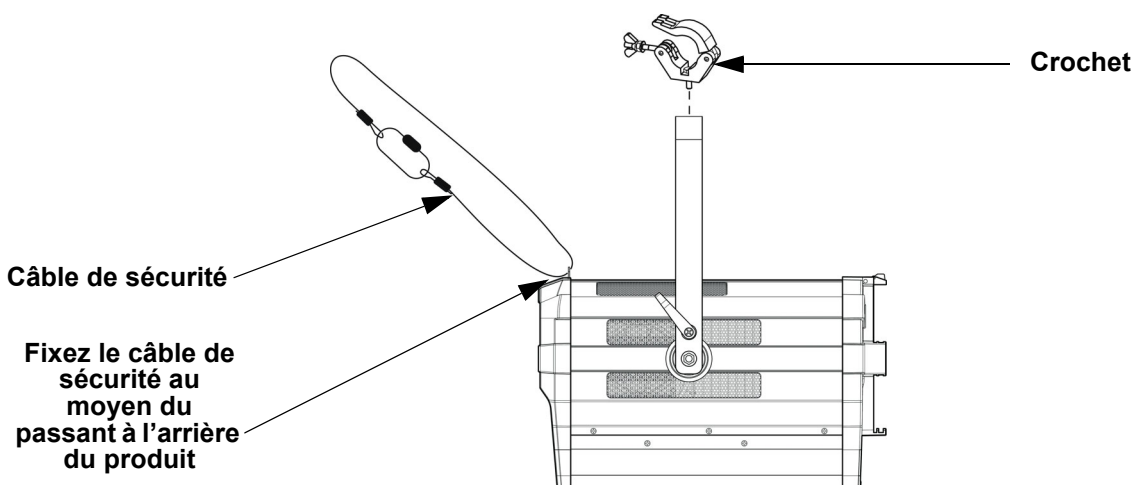
RDM (Gestion des périphériques à distance)

Le protocole RDM (gestion des périphériques à distance) est un standard pour la communication bidirectionnelle des appareils dotés de fonctions DMX dans un câblage DMX existant. Le Ovation F-915VW supporte le protocole RDM permettant un retour d'information pour la surveillance de la température et des changements des options de menu **DMX Address, DMX Channel, Dimmer Mode** et **LED Frequency**. Veuillez télécharger le manuel de l'utilisateur à partir du site internet www.chauvetprofessional.com pour plus de détails.

Installation

Avant de monter cet appareil, lisez et assimilez les [Consignes de Sécurité](#). Veillez à ce que les fixations sont capables de supporter le poids de l'unité. Découvrez notre gamme de fixations Chauvet sur <http://trusst.com/productcategory/truss-clamps/>

Schéma de Montage de l'appareil



Description du Tableau de Commandes

Bouton/Molette	Fonction
<MENU>	Permet la sortie du menu ou de la fonction en cours
<ENTER>	Permet l'affichage du menu en cours ou permet de configurer la valeur en cours dans la fonction sélectionnée
<UP>	Permet de parcourir les listes de menu vers le haut, dans une fonction permet d'augmenter les valeurs numériques
<DOWN>	Permet de parcourir les listes de menu vers le bas, dans une fonction permet de diminuer les valeurs numériques
<KNOB1>	Appuyez une fois puis tournez pour sélectionner la température de couleur. Appuyez à nouveau, puis tournez pour sélectionner la teinte.
<KNOB2>	Appuyez puis tournez pour augmenter ou diminuer le gradateur
<KNOB3>	Appuyez puis tournez pour augmenter ou diminuer le zoom

Gamme des températures de couleur

Valeurs des Canaux DMX	Température de couleur	Valeurs des Canaux DMX	Température de couleur	Valeurs des Canaux DMX	Température de couleur
000 ⇔ 005	No fonction	084 ⇔ 090	3900–4000K	168 ⇔ 174	5100–5200K
006 ⇔ 013	2800–2900K	091 ⇔ 097	4000–4100K	175 ⇔ 181	5200–5300K
014 ⇔ 020	2900–3000K	098 ⇔ 104	4100–4200K	182 ⇔ 188	5300–5400K
021 ⇔ 027	3000–3100K	105 ⇔ 111	4200–4300K	189 ⇔ 195	5400–5500K
028 ⇔ 034	3100–3200K	112 ⇔ 118	4300–4400K	196 ⇔ 202	5500–5600K
035 ⇔ 041	3200–3300K	119 ⇔ 125	4400–4500K	203 ⇔ 209	5600–5700K
042 ⇔ 048	3300–3400K	126 ⇔ 132	4500–4600K	210 ⇔ 216	5700–6000K
049 ⇔ 055	3400–3500K	133 ⇔ 139	4600–4700K	217 ⇔ 223	6000–6500K
056 ⇔ 062	3500–3600K	140 ⇔ 146	4700–4800K	224 ⇔ 230	6500–7000K
063 ⇔ 069	3600–3700K	147 ⇔ 153	4800–4900K	231 ⇔ 237	7000–7500K
070 ⇔ 076	3700–3800K	154 ⇔ 160	4900–5000K	238 ⇔ 244	7500–8000K
077 ⇔ 083	3800–3900K	161 ⇔ 167	5000–5100K	245 ⇔ 255	8000K



Remarque: Les températures de couleur ci-dessus sont des rendus simulés de la sortie de couleur effectivement générée par comparaison avec une lampe tungstène à la température de couleur spécifiée. Chauvet ne donne aucune garantie sur la précision de la sortie de couleur.

Tableau de Menu

Niveau Principal	Niveaux de Programmation			Description	
DMX Address	001–509*			Permet de sélectionner l'adresse de démarrage (le canal le plus élevé est restreint à la personnalité choisie)	
DMX Channel	1 Ch			1-canal: gradateur	
	4 Ch			4-canaux: gradateur, température de couleur, teinte, zoom	
	6 Ch			6-canaux: gradateur 16-bit, température de couleur, teinte, zoom, stroboscope	
	7 Ch			7-canaux: rouge, orange, vert, bleu royal, bleu, lime, zoom	
	9 Ch			9-canaux: gradateur, rouge, orange, vert, bleu royal, bleu, lime, stroboscope, zoom	
	13 Ch			13-canaux: gradateur, rouge, orange, vert, bleu royal, bleu, lime, stroboscope, température de couleur, teinte, mode gradation, zoom, réinitialisation du moteur	
	16 Ch			16-canaux: gradateur 16-bit, rouge, orange, vert, bleu royal, bleu et lime 16-bit, stroboscope, zoom	
	18 Ch			18-canaux: gradateur 16-bit, rouge, orange, vert, bleu royal, bleu et lime 16-bit, stroboscope, température de couleur, teinte, zoom	
Static	Color Temperature	2800K	Dimmer	000–255	Permet de sélectionner le température de couleur, gradateur et teinte (vert/magenta) niveaux. Simule une lampe tungstène à la température de couleur spécifiée
		2900K			
		3000K			
		3100K			
		3200K			
		3300K			
		3400K			
		3500K			
		3600K			
		3700K			
		3800K			
		3900K			
		4000K			
		4100K			
		4200K			
		4300K			
		4400K			
		4500K			
		4600K			
		4700K			
		4800K			
		4900K			
		5000K			
		5100K			
		5200K			
		5300K			
		5400K			
		5500K			
5600K					
5700K					
6000K					
6500K					
7000K					
7500K					
8000K					
			Hue	-25–25	

Niveau Principal	Niveaux de Programmation		Description
Static	Manual Color Mixer	Red	<000-255>
		Orange	<000-255>
		Green	<000-255>
		Royal Blue	<000-255>
		Blue	<000-255>
		Lime	<000-255>
Zoom	0-255		Commande du zoom
Master/Slave	Master		Mode DMX (Maître)
	Slave		Mode esclave
Dimmer Mode	Off		Gradateur linéaire
	Dimmer 1-3		Courbes de gradation rapide (Dimmer 1) à lent (Dimmer 3)
White Balance	Off		Utilise le paramétrage de blanc défini en usine
	Manual	Red	<125-255>
		Orange	<125-255>
		Green	<125-255>
		Royal Blue	<125-255>
		Blue	<125-255>
		Lime	<125-255>
LED Frequency	600Hz		Permet de sélectionner la fréquence de sortie MLI
	1200Hz		
	2000Hz		
	4000Hz		
	6000Hz		
	25KHz		
Fan Mode	Auto		Réglez le ventilateur en mode automatique
	On		Réglez le mode de ventilateur toujours
	Off		Règle le ventilateur sur toujours
	Silent		Règle le ventilateur sur silencieux
Back Light	10S		Désactive l'affichage rétro-éclairage après 10 secondes d'inactivité
	30S		Désactive l'affichage rétro-éclairage après 30 secondes d'inactivité
	2Min		Désactive l'affichage rétro-éclairage après 2 minutes d'inactivité
	On		Affichage rétro-éclairage toujours active
Information	Fixture Hours	<_ _ _ _ H>	Affiche le nombre total des heures du produit
	Version	<V _ . _>	Affiche la version du logiciel installée
	UID	<_ _ _ _ _ _ _ _ _>	Affiche UID actuel
Reset Factory	No		Permet de réinitialiser aux valeurs par défaut d'usine
	Yes		

FR

Valeurs DMX

18 Ch

Canal	Fonction	Valeur	Pourcentage/Configuration
1	Gradateur	000 ⇔ 255	0–100%
2	Gradateur fin	000 ⇔ 255	0–100%
3	Rouge	000 ⇔ 255	0–100%
4	Rouge fin	000 ⇔ 255	0–100%
5	Orange	000 ⇔ 255	0–100%
6	Orange fin	000 ⇔ 255	0–100%
7	Vert	000 ⇔ 255	0–100%
8	Vert fin	000 ⇔ 255	0–100%
9	Bleu royal	000 ⇔ 255	0–100%
10	Bleu royal fin	000 ⇔ 255	0–100%
11	Bleu	000 ⇔ 255	0–100%
12	Bleu fin	000 ⇔ 255	0–100%
13	Lime	000 ⇔ 255	0–100%
14	Lime fin	000 ⇔ 255	0–100%
15	Stroboscope	000 ⇔ 010 011 ⇔ 255	Pas de fonction Stroboscope, lent à rapide
16	Température de la couleur	000 ⇔ 255	Consultez Gamme des températures de couleur
17	Teinte	000 ⇔ 255	-25–25
18	Zoom	000 ⇔ 255	Étroit à large

16 Ch

Canal	Fonction	Valeur	Pourcentage/Configuration
1	Gradateur	000 ⇔ 255	0–100%
2	Gradateur fin	000 ⇔ 255	0–100%
3	Rouge	000 ⇔ 255	0–100%
4	Rouge fin	000 ⇔ 255	0–100%
5	Orange	000 ⇔ 255	0–100%
6	Orange fin	000 ⇔ 255	0–100%
7	Vert	000 ⇔ 255	0–100%
8	Vert fin	000 ⇔ 255	0–100%
9	Bleu royal	000 ⇔ 255	0–100%
10	Bleu royal fin	000 ⇔ 255	0–100%
11	Bleu	000 ⇔ 255	0–100%
12	Bleu fin	000 ⇔ 255	0–100%
13	Lime	000 ⇔ 255	0–100%
14	Lime fin	000 ⇔ 255	0–100%
15	Stroboscope	000 ⇔ 010 011 ⇔ 255	Pas de fonction Stroboscope, lent à rapide
16	Zoom	000 ⇔ 255	Étroit à large

13 Ch

Canal	Fonction	Valeur	Pourcentage/Configuration
1	Gradateur	000 ⇄ 255	0–100%
2	Rouge	000 ⇄ 255	0–100%
3	Orange	000 ⇄ 255	0–100%
	Vert	000 ⇄ 255	0–100%
5	Bleu royal	000 ⇄ 255	0–100%
6	Bleu	000 ⇄ 255	0–100%
7	Lime	000 ⇄ 255	0–100%
8	Stroboscope	000 ⇄ 010 011 ⇄ 255	Pas de fonction Stroboscope, lent à rapide
9	Température de la couleur	000 ⇄ 255	Consultez Gamme des températures de couleur
10	Teinte	000 ⇄ 255	-25–25
11	Vitesse du Gradateur	000 ⇄ 051 052 ⇄ 101 102 ⇄ 152 153 ⇄ 203 204 ⇄ 255	Pas de fonction Gradateur linéaire Courbe de gradation 1 Courbe de gradation 2 Courbe de gradation 3 Maintenir pendant 3 secondes: Remplace et modifie la sélection du menu
12	Zoom	000 ⇄ 255	Étroit à large
13	Réinitialisation du moteur	000 ⇄ 200 201 ⇄ 220 221 ⇄ 255	Pas de fonction Réinitialisation du moteur Pas de fonction

9 Ch

Canal	Fonction	Valeur	Pourcentage/Configuration
1	Gradateur	000 ⇄ 255	0–100%
2	Rouge	000 ⇄ 255	0–100%
3	Orange	000 ⇄ 255	0–100%
4	Vert	000 ⇄ 255	0–100%
5	Bleu royal	000 ⇄ 255	0–100%
6	Bleu	000 ⇄ 255	0–100%
7	Lime	000 ⇄ 255	0–100%
8	Stroboscope	000 ⇄ 010 011 ⇄ 255	Pas de fonction Stroboscope, lent à rapide
9	Zoom	000 ⇄ 255	Étroit à large

7 Ch

Canal	Fonction	Valeur	Pourcentage/Configuration
1	Rouge	000 ⇄ 255	0–100%
2	Orange	000 ⇄ 255	0–100%
3	Vert	000 ⇄ 255	0–100%
4	Bleu royal	000 ⇄ 255	0–100%
5	Bleu	000 ⇄ 255	0–100%
6	Lime	000 ⇄ 255	0–100%
7	Zoom	000 ⇄ 255	Étroit à large

FR

6 Ch

Canal	Fonction	Valeur	Pourcentage/Configuration
1	Gradateur	000 ⇔ 255	0–100%
2	Gradateur fin	000 ⇔ 255	0–100%
3	Température de la couleur	000 ⇔ 255	Consultez Gamme des températures de couleur
4	Teinte	000 ⇔ 255	-25–25
5	Zoom	000 ⇔ 255	Étroit à large
6	Stroboscope	000 ⇔ 010 011 ⇔ 255	Pas de fonction Stroboscope, lent à rapide

4 Ch

Canal	Fonction	Valeur	Pourcentage/Configuration
1	Gradateur	000 ⇔ 255	0–100%
2	Température de la couleur	000 ⇔ 255	Consultez Gamme des températures de couleur
3	Teinte	000 ⇔ 255	-25–25
4	Zoom	000 ⇔ 255	Étroit à large

1 Ch

Canal	Fonction	Valeur	Pourcentage/Configuration
1	Gradateur	000 ⇔ 255	0–100%

Über diese Schnellanleitung

In der Schnellanleitung des Ovation F-915VW finden Sie die wesentlichen Produktinformationen, wie etwa über den Anschluss, die Montage, Menüoptionen und DMX-Werte des Geräts. Laden Sie für weiterführende Informationen unter www.chauvetprofessional.com das Benutzerhandbuch herunter.

Haftungsausschluss

Die in dieser Anleitung aufgeführten Informationen und Spezifikationen können ohne vorherige Ankündigung geändert werden.

EINGESCHRÄNKTE GARANTIE

ZUR REGISTRIERUNG FÜR GARANTIEANSPRÜCHE UND ZUR EINSICHT IN DIE VOLLSTÄNDIGEN GESCHÄFTSBEDINGUNGEN BESUCHEN SIE BITTE UNSERE WEBSITE.

Für Kunden in den USA und in Mexiko: www.chauvetlighting.com/warranty-registration

Für Kunden im Vereinigten Königreich, in Irland, Belgien, den Niederlanden, Luxemburg, Frankreich und Deutschland: www.chauvetlighting.eu/warranty-registration/

Chauvet garantiert für die in der auf unserer Website veröffentlichten vollständigen eingeschränkten Garantie genannten Dauer und unter Vorbehalt der darin genannten Haftungsausschlüsse und -beschränkungen, dass dieses Produkt bei normalen Gebrauch frei von Material- und Verarbeitungsfehlern ist. Diese Garantie erstreckt sich nur auf den Erstkäufer des Produkts und ist nicht übertragbar. Zur Ausübung der unter dieser Garantie gewährten Rechte ist der Kaufbeleg in Form der Originalrechnung von einem autorisierten Händler vorzulegen, in der die Produktbezeichnung und das Kaufdatum vermerkt sein müssen. **ES BESTEHEN KEINE WEITEREN AUSDRÜCKLICHEN ODER STILLSCHWEIGENDEN GARANTIEEN.** Diese Garantie gibt Ihnen besondere gesetzliche Rechte. Und Sie haben möglicherweise weitere Rechte, die von Land zu Land unterschiedlich sein können. Diese Garantie ist nur in den USA, im Vereinigten Königreich, in Irland, Belgien, den Niederlanden, Luxemburg, Frankreich, Deutschland und Mexiko gültig. Bezüglich der Garantiebestimmungen in anderen Ländern wenden Sie sich bitte an Ihren lokalen Händler.

Sicherheitshinweise

Diese Sicherheitshinweise enthalten wichtige Informationen über die Montage, Verwendung und Wartung des Geräts.

- Dieses Gerät **NICHT** öffnen. Die eingebauten Komponenten sind für den Kunden wartungsfrei.
- **NIEMALS** in die Lichtquelle schauen, während das Gerät eingeschaltet ist.
- Um unnötigen Verschleiß zu vermeiden und die Lebensdauer des Geräts zu verlängern, trennen Sie während längerer Perioden des Nichtgebrauchs das Gerät vom Stromnetz – entweder per Trennschalter oder durch Herausziehen des Steckers aus der Steckdose.
- **VORSICHT:** Beim Transport des Geräts von einer Umgebung mit außergewöhnlichen Temperaturen in eine andere solche Umgebung (z. B. aus einem kalten Transporter in einen warm-feuchten Ballsaal) kann an der im Gerät enthaltenen Elektronik Wasser kondensieren. Um einen Defekt zu vermeiden, muss sich das Gerät erst in der neuen Umgebung akklimatisiert haben, bevor es an die Stromversorgung angeschlossen werden kann.
- **VORSICHT:** Das Gehäuse dieses Produkts kann während des Betriebs heiß werden.
- Installieren Sie das Gerät an einem Ort mit ausreichender Belüftung und mit einem Abstand von mindestens 50 cm zu den angrenzenden Flächen.
- Belassen Sie **KEINE** entflammaren Materialien in einem Umkreis von 50 cm dieses Geräts, während es in Betrieb oder an der Stromversorgung angeschlossen ist.
- **VERWENDEN** Sie bei Montage über Kopf immer ein Sicherheitsseil.
- Nehmen sie das Gerät **NICHT** im Freien oder an einem Ort in Betrieb, der durch Staubentwicklung, übermäßige Hitze, Wasser oder hohe Luftfeuchtigkeit charakterisiert ist. (IP20)
- **NIEMALS** das Gerät in Betrieb nehmen, wenn Ihnen das Gehäuse, die Linsen oder das Kabel beschädigt erscheinen.
- Schließen Sie dieses Gerät **NICHT** an einen Dimmer oder Regelwiderstand an.
- Schließen Sie dieses Produkt **NUR** an einen mit der Erde verbundenen und geschützten Stromkreis an.
- Das Gerät **NUR** an den Hänge-/Befestigungsbügeln oder Griffen tragen.
- Bei ernsthaften Betriebsproblemen stoppen Sie umgehend die Verwendung des Geräts.
- Die maximal zulässige Umgebungstemperatur beträgt 45 °C. Nehmen Sie das Gerät nicht bei höheren Temperaturen in Betrieb.

FCC-Konformität

Dieses Gerät erfüllt Teil 15, Teil B, der FCC-Bestimmungen. Der Betrieb ist an folgende zwei Bedingungen geknüpft:

1. Dieses Gerät darf keine schädlichen Interferenzen verursachen, und
2. Dieses Gerät muss empfangende Interferenzen aufnehmen können, auch Interferenzen, die eventuell einen unerwünschten Betrieb verursachen.

Jegliche Änderungen oder Modifikationen, die nicht ausdrücklich von der Partei genehmigt wurden, die für die Compliance zuständig ist, könnten die Berechtigung des Benutzers zum Betrieb dieses Geräts aufheben

Kontakt

Kunden außerhalb der USA, GB, Irland, Mexiko, Frankreichs, Deutschlands oder der Benelux-Staaten wenden sich an ihren Lieferanten, um den Kundensupport in Anspruch zu nehmen oder ein Produkt zurückzuschicken. Kontaktinformationen finden Sie unter [Contact Us](#) am Ende dieses QRG.

Packungsinhalt

- Ovation F-915VW
- Neutrik® powerCON® Netzkabel
- Gel-Rahmen (Zubehör für 7,5"/191 mm)
- Schnellanleitung

Wechselstrom

Dieses Gerät verfügt über ein Vorschaltgerät, das automatisch die anliegende Spannung erkennt, sobald der Netzstecker in die Schukosteckdose gesteckt wird, und kann mit einer Eingangsspannung von 100~240 V AC, 50/60 Hz arbeiten.

Serienschaltung der Geräte

Sie können bis zu 7 Ovation F-915VW Geräte bei 120 V AC, 13 Geräte bei 208 V und 14 Geräte bei 230 V AC in Serie schalten. Diese Anzahl niemals überschreiten! Stromkabel für die Serienschaltung können separat erworben werden.

Wechselstromstecker

Anschluss	Draht (USA)	Draht (Europa)	Schraubenfarbe
Stromführender AC-Leiter	Schwarz	Braun	Gelb/Messingfarben
AC-Neutralleiter	Weiß	Blau	Silber
AC-Erdungsleiter	Grün/Gelb	Grün/Gelb	Grün



Um Verschleiß zu vermeiden und die Lebensdauer des Geräts zu verlängern, trennen Sie während längerer Perioden des Nichtgebrauchs das Gerät vom Stromnetz – entweder per Trennschalter oder durch Herausziehen des Steckers aus der Steckdose.

Auswechseln der Sicherung

1. Trennen Sie das Gerät vom Stromnetz.
2. Mit einem Flachkopfschraubendreher lösen Sie die Abdeckung des Sicherungshalters vom Gehäuse.
3. Entfernen Sie die durchgebrannte Sicherung, und ersetzen Sie diese durch eine Sicherung des gleichen Typs und mit den gleichen Werten.
4. Schrauben Sie die Abdeckung der Sicherung wieder ein, und schließen Sie das Gerät wieder an das Stromnetz an.

DMX-Verbindung

De Ovation F-915VW kann mit einem DMX-Controller betrieben werden, wenn eine 5-polige DMX-Datenverbindung zum Einsatz kommt. Sie können sich eine Einführung in DMX unter www.chauvetprofessional.com herunterladen.

DMX-Anschluss

Der Ovation F-915VW nutzt zur Steuerung seiner DMX-Eigenschaften eine 5-polige DMX-Datenverbindung: **1 Ch, 4 Ch, 6 Ch, 7 Ch, 9 Ch, 13 Ch, 16 Ch** und **18 Ch**. Informationen zum Anschließen und Konfigurieren des Geräts für einen DMX-Betrieb finden Sie in der Bedienungsanleitung.

Master/Slave-Schaltung

Der Ovation F-915VW verwendet für seinen Master/Slave-Modus eine DMX-Datenverbindung. Informationen zum Anschließen und Konfigurieren des Geräts für einen Master/Slave-Betrieb finden Sie in der Bedienungsanleitung.

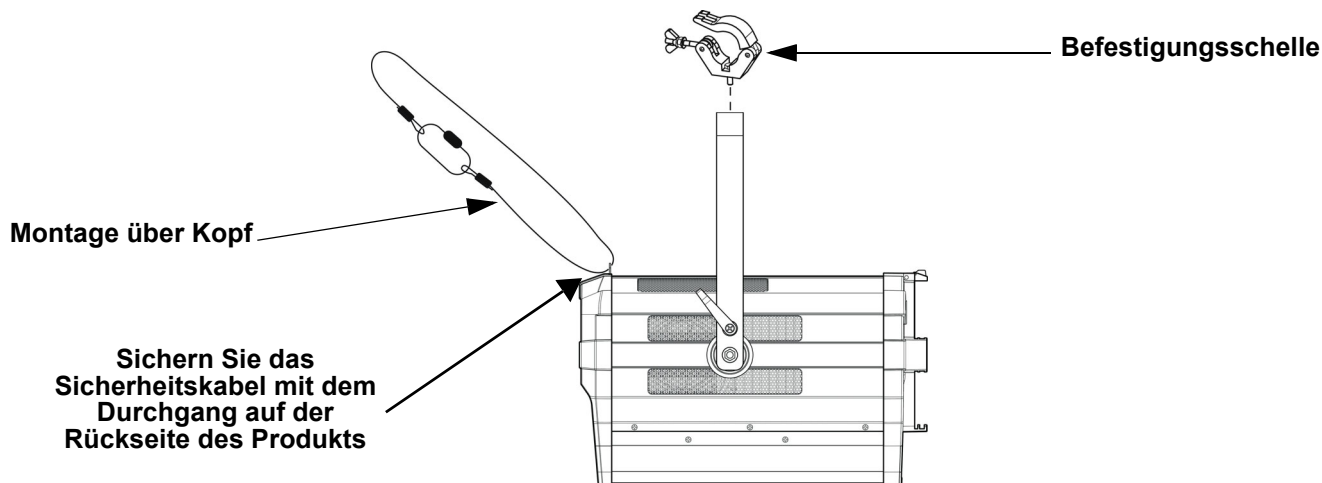
RDM (Remote Device Management)

Remote Device Management bzw. RDM ist ein Standard, mit dem DMX-aktivierte Geräte bidirektional entlang bestehender DMX-Kabel kommunizieren können. Der STRIKE Saber unterstützt das RDM-Protokoll, über das Feedback zur Überwachung der Änderungen der Menüoptionen gegeben wird. Laden Sie für weiterführende Informationen unter www.chauvetprofessional.com das Benutzerhandbuch herunter.

Montage

Lesen Sie vor der Montage dieses Geräts die [EINGESCHRÄNKTE GARANTIE](#). Mindestens einen Befestigungspunkt pro Gerät verwenden. Stellen Sie sicher, dass die Befestigungsklemmen dafür ausgelegt sind, das Produktgewicht tragen zu können. Informationen zu unserer CHAUVET-Produktlinie für Befestigungsklemmen finden Sie unter <http://trusst.com/productcategory/truss-clamps/>

Ansicht Gerätemontage



Beschreibung des Bedienfeldes

Taste	Funktion
<MENU>	Damit verlassen Sie das aktuelle Menü oder die Funktion.
<ENTER>	Damit wird das aktuell angezeigte Menü aktiviert oder der aktuell ausgewählte Wert einer Funktion eingestellt
<UP>	Damit navigieren Sie sich durch die Menüpunkte nach oben und erhöhen den numerischen Wert der entsprechenden Funktion.
<DOWN>	Damit navigieren Sie sich durch die Menüpunkte nach unten und verringern den numerischen Wert der entsprechenden Funktion.
<Color Temperature>	Drücken und drehen Sie dieses Bedienelement zur Auswahl der Farbtemperatur
<Dimmer>	Drücken und drehen Sie dieses Bedienelement zum Erhöhen oder Senken der Dimmung
<Zoom>	Drücken und drehen Sie dieses Bedienelement zum Vergrößern oder Verkleinern des Zoom

Farbtemperatur-Tabelle

DMX-Kanal-Wert	Farbtemperatur	DMX-Kanal-Wert	Farbtemperatur	DMX-Kanal-Wert	Farbtemperatur
000 ⇔ 005	2800K/Keine Funktion	084 ⇔ 090	3900–4000K	168 ⇔ 174	5100–5200K
006 ⇔ 013	2800–2900K	091 ⇔ 097	4000–4100K	175 ⇔ 181	5200–5300K
014 ⇔ 020	2900–3000K	098 ⇔ 104	4100–4200K	182 ⇔ 188	5300–5400K
021 ⇔ 027	3000–3100K	105 ⇔ 111	4200–4300K	189 ⇔ 195	5400–5500K
028 ⇔ 034	3100–3200K	112 ⇔ 118	4300–4400K	196 ⇔ 202	5500–5600K
035 ⇔ 041	3200–3300K	119 ⇔ 125	4400–4500K	203 ⇔ 209	5600–5700K
042 ⇔ 048	3300–3400K	126 ⇔ 132	4500–4600K	210 ⇔ 216	5700–6000K
049 ⇔ 055	3400–3500K	133 ⇔ 139	4600–4700K	217 ⇔ 223	6000–6500K
056 ⇔ 062	3500–3600K	140 ⇔ 146	4700–4800K	224 ⇔ 230	6500–7000K
063 ⇔ 069	3600–3700K	147 ⇔ 153	4800–4900K	231 ⇔ 237	7000–7500K
070 ⇔ 076	3700–3800K	154 ⇔ 160	4900–5000K	238 ⇔ 244	7500–8000K
077 ⇔ 083	3800–3900K	161 ⇔ 167	5000–5100K	245 ⇔ 255	8000K



Hinweis: Die oben genannten Farbtemperaturen sind simulierte Ähnlichkeiten der Farbausgabe im Vergleich zu einer Wolframlampe mit spezifizierter Farbtemperatur. Chauvet gibt keine Gewährleistung bezüglich der Genauigkeit der Farbausgabe.

Menüstruktur

Hauptebene	Programmirebenen			Beschreibung	
DMX Address	001–509*			Wählt die DMX-Adresse aus (der höchste Kanal ist auf die gewählte Eigenschaft beschränkt)	
DMX Channel	1 Ch			1-Kanal: Dimmer	
	4 Ch			4-Kanal: Dimmer, Farbtemperatur, Farbton, Zoom	
	6 Ch			6-Kanal: 16-Bit-Kanal: Dimmer, Farbtemperatur, Farbton, Zoom, Stroboskopeffekt	
	7 Ch			7-Kanal: Rot, Orange, Grüne, Königsblau, Blau, Neongrün, Zoom	
	9 Ch			9-Kanal: Dimmer, Rot, Orange, Grüne, Königsblau, Blau, Neongrün, Stroboskopeffekt, Zoom	
	13 Ch			13-Kanal: Dimmer, Rot, Orange, Grüne, Königsblau, Blau, Neongrün, Stroboskopeffekt, Farbtemperatur, Farbton, Dimmungs-Geschwindigkeits-Modus, Zoom, Motorrücksetzung	
	16 Ch			16-Kanal: 16-Bit-Dimmer, 16-Bit-Rot, Orange, Grüne, Königsblau, Blau, Neongrün, Stroboskopeffekt, Zoom	
Static	Color Temperature	2800K		Dimmer	000–100
		2900K			
		3000K			
		3100K			
		3200K			
		3300K			
		3400K			
		3500K			
		3600K			
		3700K			
		3800K			
		3900K			
		4000K			
		4100K			
		4200K			
		4300K			
		4400K			
		4500K			
		4600K			
		4700K			
		4800K			
		4900K			
		5000K			
		5100K			
		5200K			
		5300K			
		5400K			
		5500K			
5600K					
5700K					
6000K					
6500K					
7000K					
7500K					
8000K					
		Hue		-25–25	
Stellt die Werte für Farbtemperatur, Dimmer und Farbton (grün/magenta) ein. Bildet eine Wolframlampe mit der spezifizierten Farbtemperatur ab.					

Hauptebene	Programmirebenen		Beschreibung	
	Manual Color Mixer	Red	<000–255>	Kombiniert rote, orange, grüne, königsblaue, blaue und neongrüne Farben zu einer benutzerdefinierten Farbe (0–100 %)
		Orange		
		Green		
		Royal Blue		
		Blue		
		Lime		
Zoom	0–255		Zur Steuerung des Zoom	
Master/Slave	Master		DMX-Modus (Master)	
	Slave		Slave-Modus	
Dimmer Mode	Off		Linearer Dimmer	
	Dimmer 1–3		Dimmungskurven Dimmer 1 (schnell) nach Dimmer 3 (langsam)	
White Balance	Off		Verwendet die werksseitig voreingestellte Standardeinstellung "Weiß"	
	Manual	Red	<125–255>	Stellt den maximalen Wert der roten LED ein
		Orange		Stellt den maximalen Wert der orangeLED ein
		Green		Stellt den maximalen Wert der grünen LED ein
		Royal Blue		Stellt den maximalen Wert der Königsblau LED ein
		Blue		Stellt den maximalen Wert der blauen LED ein
Lime		Stellt den maximalen Wert der neongrünen LED ein		
LED Frequency	600Hz		Stellt die PWM-Frequenz ein	
	1200Hz			
	2000Hz			
	4000Hz			
	6000Hz			
	25KHz			
Fan Mode	Auto		Stellt den Lüfter auf den Auto-Modus ein	
	On		Stellt den Lüfter auf den "immer eingeschaltet"-Modus ein	
	Off		Setzt den Lüfter auf immer aus	
	Silent		Stellt den Lüfter auf lautlos	
Back Light	10S		Damit wird die Hintergrundbeleuchtung der Anzeige nach 10 Sekunden Inaktivität ausgeschaltet	
	30S		Damit wird die Hintergrundbeleuchtung der Anzeige nach 30 Sekunden Inaktivität ausgeschaltet	
	2Min		Damit wird die Hintergrundbeleuchtung der Anzeige nach 2 Minuten Inaktivität ausgeschaltet	
	On		Hintergrundbeleuchtung immer an	
Information	Fixture Hours	<_ _ _ _H>	Zeigt an, wie lange das Gerät eingeschaltet gewesen ist	
	Version	<V_ _>	Zeigt die aktuelle Firmware-Version an	
	UID	<_ _ _ _ _ _>	Zeigt die Geräte-UID an	
Reset Factory	No		Damit stellen Sie das Gerät auf die Werkseinstellungen zurück	
	Yes			

DE

DMX-Werte

18 Ch

Kanal	Funktion	Wert	Prozent/Einstellung
1	Dimmer	000 ⇔ 255	0–100%
2	Dimmer, fein	000 ⇔ 255	0–100%
3	Rot	000 ⇔ 255	0–100%
4	Rot, fein	000 ⇔ 255	0–100%
5	Orange	000 ⇔ 255	0–100%
6	Orange fein	000 ⇔ 255	0–100%
7	Grün	000 ⇔ 255	0–100%
8	Grün, fein	000 ⇔ 255	0–100%
9	Königsblau	000 ⇔ 255	0–100%
10	Königsblau, fein	000 ⇔ 255	0–100%
11	Blau	000 ⇔ 255	0–100%
12	Blau, fein	000 ⇔ 255	0–100%
13	Neongrün	000 ⇔ 255	0–100%
14	Neongrün, fein	000 ⇔ 255	0–100%
15	Stroboskop	000 ⇔ 010 011 ⇔ 255	Keine Funktion Blitzfrequenz (von langsam nach schnell)
16	Farbtemperatur	000 ⇔ 255	Siehe Farbtemperatur-Labelle
17	Hue	000 ⇔ 255	-25–25
18	Zoom	000 ⇔ 255	Eng bis weit

16 Ch

Kanal	Funktion	Wert	Prozent/Einstellung
1	Dimmer	000 ⇔ 255	0–100%
2	Dimmer, fein	000 ⇔ 255	0–100%
3	Rot	000 ⇔ 255	0–100%
4	Rot, fein	000 ⇔ 255	0–100%
5	Orange	000 ⇔ 255	0–100%
6	Orange fein	000 ⇔ 255	0–100%
7	Grün	000 ⇔ 255	0–100%
8	Grün, fein	000 ⇔ 255	0–100%
9	Königsblau	000 ⇔ 255	0–100%
10	Königsblau, fein	000 ⇔ 255	0–100%
11	Blau	000 ⇔ 255	0–100%
12	Blau, fein	000 ⇔ 255	0–100%
13	Neongrün	000 ⇔ 255	0–100%
14	Neongrün, fein	000 ⇔ 255	0–100%
15	Stroboskop	000 ⇔ 010 011 ⇔ 255	Keine Funktion Blitzfrequenz (von langsam nach schnell)
16	Zoom	000 ⇔ 255	Eng bis weit

13 Ch

Kanal	Funktion	Wert	Prozent/Einstellung
1	Dimmer	000 ⇔ 255	0–100%
2	Rot	000 ⇔ 255	0–100%
3	Orange	000 ⇔ 255	0–100%
4	Grün	000 ⇔ 255	0–100%
5	Königsblau	000 ⇔ 255	0–100%
6	Blau	000 ⇔ 255	0–100%
7	Neongrün	000 ⇔ 255	0–100%
8	Stroboskop	000 ⇔ 010 011 ⇔ 255	Keine Funktion Blitzfrequenz (von langsam nach schnell)
9	Color Temperature	000 ⇔ 255	Siehe Farbtemperatur-Labelle
10	Hue	000 ⇔ 255	-25–25

Kanal	Funktion	Wert	Prozent/Einstellung
11	Dimmungs-Geschwindigkeits-Modus	000 ⇔ 051	Keine Funktion
		052 ⇔ 101	Dimmungs-Geschwindigkeits-Modus aus
		102 ⇔ 152	Dimmungs-Geschwindigkeits-Modus 1
		153 ⇔ 203	Dimmungs-Geschwindigkeits-Modus 2
12	Zoom	204 ⇔ 255	Dimmungs-Geschwindigkeits-Modus 3
		000 ⇔ 255	Eng bis weit
13	Motor Reset	000 ⇔ 200	Keine Funktion
		201 ⇔ 220	Motorzurücksetzung
		221 ⇔ 255	Keine Funktion

9 Ch

Kanal	Funktion	Wert	Prozent/Einstellung
1	Dimmer	000 ⇔ 255	0–100%
2	Rot	000 ⇔ 255	0–100%
3	Orange	000 ⇔ 255	0–100%
4	Grün	000 ⇔ 255	0–100%
5	Königsblau	000 ⇔ 255	0–100%
6	Blau	000 ⇔ 255	0–100%
7	Neongrün	000 ⇔ 255	0–100%
8	Stroboskop	000 ⇔ 010	Keine Funktion
		011 ⇔ 255	Blitzfrequenz (von langsam nach schnell)
9	Zoom	000 ⇔ 255	Eng bis weit

7 Ch

Kanal	Funktion	Wert	Prozent/Einstellung
1	Rot	000 ⇔ 255	0–100%
2	Orange	000 ⇔ 255	0–100%
3	Grün	000 ⇔ 255	0–100%
4	Königsblau	000 ⇔ 255	0–100%
5	Blau	000 ⇔ 255	0–100%
6	Neongrün	000 ⇔ 255	0–100%
7	Zoom	000 ⇔ 255	Eng bis weit

6 Ch

Kanal	Funktion	Wert	Prozent/Einstellung
1	Dimmer	000 ⇔ 255	0–100%
2	Dimmer, fein	000 ⇔ 255	0–100%
3	Farbtemperatur	000 ⇔ 255	Siehe Farbtemperatur-Tabelle
4	Hue	000 ⇔ 255	-25–25
5	Zoom	000 ⇔ 255	Eng bis weit
6	Stroboskop	000 ⇔ 010	Keine Funktion
		011 ⇔ 255	Blitzfrequenz (von langsam nach schnell)

4 Ch

Kanal	Funktion	Wert	Prozent/Einstellung
1	Dimmer	000 ⇔ 255	0–100%
2	Farbtemperatur	000 ⇔ 255	Siehe Farbtemperatur-Tabelle
3	Hue	000 ⇔ 255	-25–25
4	Zoom	000 ⇔ 255	Eng bis weit

1 Ch

Kanal	Funktion	Wert	Prozent/Einstellung
1	Dimmer	000 ⇔ 255	0–100%

Over deze handleiding

De Ovation F-915VW Beknopte Handleiding (BH) bevat basisinformatie over het product, zoals aansluiting, montage, menu-opties en DMX-waarden. Download de gebruikershandleiding op www.chauvetprofessional.com voor meer informatie.

Disclaimer

De informatie en specificaties in deze BH kunnen zonder voorafgaande kennisgeving worden gewijzigd.

INGESCHRÄNKTE GARANTIE

ZUR REGISTRIERUNG FÜR GARANTIEANSPRÜCHE UND ZUR EINSICHT IN DIE VOLLSTÄNDIGEN GESCHÄFTSBEDINGUNGEN BESUCHEN SIE BITTE UNSERE WEBSITE.

Für Kunden in den USA und in Mexiko: www.chauvetlighting.com/warranty-registration

Für Kunden im Vereinigten Königreich, in Irland, Belgien, den Niederlanden, Luxemburg, Frankreich und Deutschland: www.chauvetlighting.eu/warranty-registration/

Chauvet garandeert voor die in der auf unserer Website veröffentlichten vollständigen eingeschränkten Garantie genannten Dauer und unter Vorbehalt der darin genannten Haftungsausschlüsse und -beschränkungen, dass dieses Produkt bei normalen Gebrauch frei von Material- und Verarbeitungsfehlern ist. Diese Garantie erstreckt sich nur auf den Erstkäufer des Produkts und ist nicht übertragbar. Zur Ausübung der unter dieser Garantie gewährten Rechte ist der Kaufbeleg in Form der Originalrechnung von einem autorisierten Händler vorzulegen, in der die Produktbezeichnung und das Kaufdatum vermerkt sein müssen. **ES BESTEHEN KEINE WEITEREN AUSDRÜCKLICHEN ODER STILLSCHWEIGENDEN GARANTIEN.** Diese Garantie gibt Ihnen besondere gesetzliche Rechte. Und Sie haben möglicherweise weitere Rechte, die von Land zu Land unterschiedlich sein können. Diese Garantie ist nur in den USA, im Vereinigten Königreich, in Irland, Belgien, den Niederlanden, Luxemburg, Frankreich, Deutschland und Mexiko gültig. Bezüglich der Garantiebestimmungen in anderen Ländern wenden Sie sich bitte an Ihren lokalen Händler.

Veiligheidsinstructies

Deze veiligheidsinstructies bevatten belangrijke informatie over de installatie, het gebruik en het onderhoud.

- Open het product NIET. Het bevat geen te onderhouden onderdelen.
- KIJK NIET in de lichtbron wanneer het apparaat is ingeschakeld.
- Om onnodige slijtage te elimineren en zijn levensduur te verlengen, gedurende perioden wanneer het product niet wordt gebruikt, moet u het product van de stroom afsluiten door een aardlekschakelaar om te zetten of door het te ontkoppelen.
- LET OP: Bij het verplaatsen van het product uit extreme omgevingen, (bijv. koude vrachtwagen naar warme, vochtige balzaal) kan er condensvorming optreden op de elektronica van het product. Om storingen te vermijden moet het product volledig kunnen acclimatiseren aan de omgeving voordat het op stroom wordt aangesloten.
- LET OP: De behuizing van dit product kan heet zijn wanneer het in bedrijf is.
- Monteer dit product op een plek met voldoende ventilatie, ten minste 50 cm van de aangrenzende oppervlakken.
- Plaats geen ontvlambaar materiaal binnen 50 cm van dit product als het in gebruik is of is aangesloten op het stopcontact.
- GEBRUIK een veiligheidskabel bij het boven het hoofd plaatsen van dit product.
- Gebruik dit product NIET buitenshuis of op een locatie waar stof, grote warmte, water of vochtigheid het kunnen beïnvloeden. (IP20)
- Gebruik dit product NIET als de behuizing, lenzen of kabels beschadigd lijken.
- Sluit dit product NIET aan op een dimmer of een regelweerstand.
- Sluit dit product UITSLUITEND op een geaard en beveiligd stroomcircuit.
- Gebruik UITSLUITEND de ophang-/montagebeugels of de hendels om dit product te dragen.
- Stop in het geval van ernstige operationele problemen onmiddellijk met het gebruik.
- De maximale omgevingstemperatuur bedraagt 45 °C. Gebruik dit product niet bij hogere temperaturen.

FCC-naleving

Dit apparaat voldoet aan Part 15 Part B van de FCC-regels. Het gebruik is onderworpen aan de volgende twee voorwaarden:

1. Dit apparaat mag geen schadelijke interferentie veroorzaken, en
2. Dit apparaat moet enige ontvangen interferentie accepteren, inclusief interferentie die een ongewenste werking kan veroorzaken.

Eventuele wijzigingen of aanpassingen die niet uitdrukkelijk door de voor naleving verantwoordelijke partij zijn goedgekeurd, kan de bevoegdheid van de gebruiker om de apparatuur te bedienen ongeldig verklaren.

Contact

Van buiten de VS, Verenigd Koninkrijk, Ierland, Frankrijk, Duitsland, Mexico of Benelux kunt u contact opnemen met de distributeur of om ondersteuning vragen dan wel het product retourneren. Ga naar [Contact Us](#) voor contactinformatie.

Wat is inbegrepen

- Ovation F-915VW
- Neutrik® powerCON® stroomsnoer
- Gelframe (191 mm/7,5 in accessoires)
- Beknopte handleiding

AC-Stroom

Dit product heeft een voeding met automatisch bereik die werkt met een ingangsspanning van 100–240 VAC, 50/60 Hz.

Power Linking

U kunt tot 7 Ovation F-915VW-producten koppelen bij 120 V, 13 producten bij 208 V of 14 producten bij 230 V. Dit aantal niet overschrijden. Power Linking-snoeren kunnen apart aangeschaft worden.

AC-stekker

Aansluiting	Snoer (VS)	Snoer (Europa)	Schroefkleur
AC Live	Zwart	Bruin	Geel/messing
AC Neutraal	Wit	Blauw	Zilver
AC Aarde	Groen/geel	Groen/geel	Groen



Om onnodige slijtage te elimineren en zijn levensduur te verlengen, gedurende perioden wanneer het product niet wordt gebruikt, moet u het product van de stroom afsluiten door een aardlekschakelaar om te zetten of door het te ontkoppelen.

De zekering vervangen

1. Ontkoppel dit product van de stroom.
2. Gebruik een kruiskopschroevendraaier nr. 2 en schroef de kap van de zekeringshouder los van de behuizing.
3. Verwijder de doorgebrande zekering en vervang het met een werkende zekering van hetzelfde type en met dezelfde waarde.
4. Schroef de kap van de zekeringhouder terug en steek de stekker er weer in.

DMX-koppeling

De Ovation F-915VW kan met een DMX-controller werken met een normale DMX seriële verbinding. Op www.chauvetprofessional.com is een DMX-basishandleiding verkrijgbaar.

DMX-aansluiting

De Ovation F-915VW gebruikt een normale DMX-gegevensverbinding voor zijn 8 DMX-persoonlijkheden: **1 Ch, 4 Ch, 6 Ch, 7 Ch, 9 Ch, 13 Ch, 16 Ch** en **18 Ch**. Zie de gebruikershandleiding om te verbinden en te configureren voor DMX-werking.

Master/slave-verbinding

De Ovation F-915VW maakt gebruik van de DMX-dataverbinding voor haar Master-/Slave-modus. Zie de gebruikershandleiding om te verbinden en te configureren voor Master/Slave-werking.

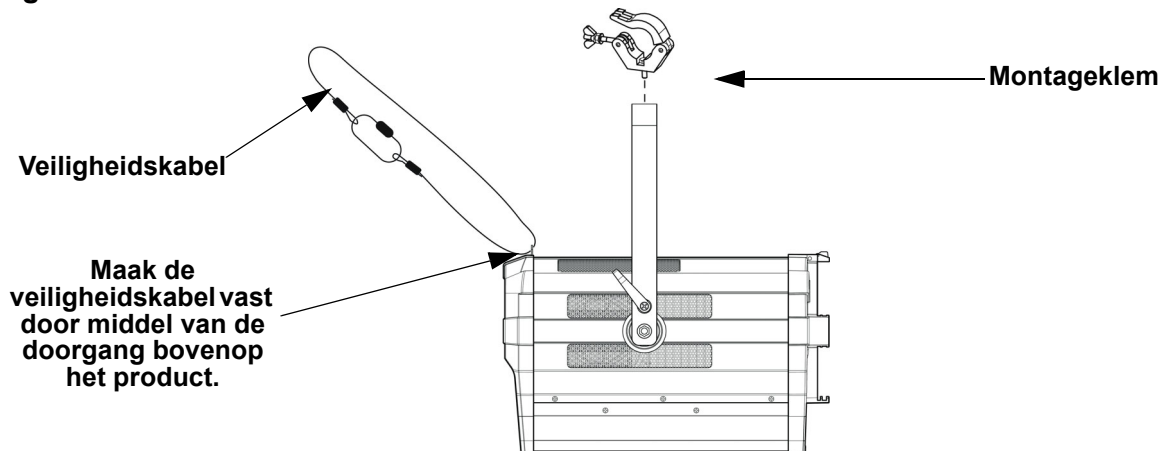
RDM (apparaatbeheer op afstand)

Remote Device Management of RDM (apparaatbeheer op afstand) is een standaard die het voor DMX-apparaten mogelijk maakt om in twee richtingen te communiceren over bestaande DMX-kabels. De Ovation F-915VW ondersteunt het RDM-protocol dat zorgt feedback toelaat bij de bewaking van Temperatuur en wijzigingen aan de menu opties van **DMX Address, DMX Channel, Dimmer Mode** en **LED Frequency**. Download de gebruikershandleiding op www.chauvetprofessional.com voor meer informatie.

Montage

Lees alvorens dit product te monteren alle [Veiligheidsinstructies](#). Gebruik ten minste twee montagepunten per product. Controleer of de montageklem het gewicht van het product kan dragen. Ga voor onze Chauvet-serie montageklemmen naar <http://trusst.com/productcategory/truss-clamps/>.

Montagediagram



Beschrijving bedieningspaneel

Toet/Knop	Functie
<MENU>	Sluit het huidige menu of functie af
<ENTER>	Activeert het huidige getoonde menu of plaatst de huidige geselecteerde waarde in de geselecteerde functie
<UP>	Navigeert omhoog via het menu of verhoogt de numerieke waarde wanneer in een functie
<DOWN>	Navigeert omlaag via het menu of verlaagt de numerieke waarde wanneer in een functie
<KNOB1>	Indrukken een keer en daarna draaien om de selecteren de kleurtemperatuur. Indrukken opnieuw en daarna draaien om de selecteren de tint.
<KNOB2>	Indrukken en daarna draaien om de dimmer te verhogen of te verlagen
<KNOB3>	Indrukken en daarna draaien om de zoom te verhogen of te verlagen

Kleurtemperatuurkaart

DMX-kanaalwaarde	Kleurtemperatuur	DMX-kanaalwaarde	Kleurtemperatuur	DMX-kanaalwaarde	Kleurtemperatuur
000 ⇔ 005	Geen functie	084 ⇔ 090	3900–4000K	168 ⇔ 174	5100–5200K
006 ⇔ 013	2800–2900K	091 ⇔ 097	4000–4100K	175 ⇔ 181	5200–5300K
014 ⇔ 020	2900–3000K	098 ⇔ 104	4100–4200K	182 ⇔ 188	5300–5400K
021 ⇔ 027	3000–3100K	105 ⇔ 111	4200–4300K	189 ⇔ 195	5400–5500K
028 ⇔ 034	3100–3200K	112 ⇔ 118	4300–4400K	196 ⇔ 202	5500–5600K
035 ⇔ 041	3200–3300K	119 ⇔ 125	4400–4500K	203 ⇔ 209	5600–5700K
042 ⇔ 048	3300–3400K	126 ⇔ 132	4500–4600K	210 ⇔ 216	5700–6000K
049 ⇔ 055	3400–3500K	133 ⇔ 139	4600–4700K	217 ⇔ 223	6000–6500K
056 ⇔ 062	3500–3600K	140 ⇔ 146	4700–4800K	224 ⇔ 230	6500–7000K
063 ⇔ 069	3600–3700K	147 ⇔ 153	4800–4900K	231 ⇔ 237	7000–7500K
070 ⇔ 076	3700–3800K	154 ⇔ 160	4900–5000K	238 ⇔ 244	7500–8000K
077 ⇔ 083	3800–3900K	161 ⇔ 167	5000–5100K	245 ⇔ 255	8000K



Let op: De bovenstaande kleurtemperaturen zijn gesimuleerde weergaven van de geproduceerde kleuropbrengst, in vergelijking met een wolfram-lamp bij de opgegeven kleurtemperatuur. Chauvet geeft geen garantie over de nauwkeurigheid van de kleuropbrengst.

Menukaart

Hoofdniveau	Programmeerniveaus			Beschrijving	
DMX Address	001–509*			Selecteert het start-adres (hoogste kanaal beperkt tot de gekozen persoonlijkheid)	
DMX Channel	1 Ch			1-kanaal: dimmer	
	4 Ch			4-kanaal: dimmer, kleurtemperatuur, tint, zoom	
	6 Ch			6-kanaal: 16-bit dimmer, kleurtemperatuur, tint, zoom, stroboscoop	
	7 Ch			7-kanaal: rood, oranje, groen, koningsblauw, blauw, lime, zoom	
	9 Ch			9-kanaal: dimmer, rood, oranje, groen, koningsblauw, blauw, lime, stroboscoop, zoom	
	13 Ch			13-kanaal: dimmer, rood, oranje, groen, koningsblauw, blauw, lime, stroboscoop, kleurtemperatuur, tint, dimmersnelheid, zoom, motorreset	
	16 Ch			16-kanaal: 16-bit dimmer, 16-bit rood, oranje, groen, koningsblauw, blauw en lime, stroboscoop, zoom	
Static	Color Temperature	2800K	Dimmer	000–255	Stelt de kleurtemperatuur, dimmer- en tint- (groen/magenta) niveaus. Emuleert een wolfram-lamp bij de opgegeven kleurtemperatuur.
		2900K			
		3000K			
		3100K			
		3200K			
		3300K			
		3400K			
		3500K			
		3600K			
		3700K			
		3800K			
		3900K			
		4000K			
		4100K			
		4200K			
		4300K			
		4400K			
		4500K			
		4600K			
		4700K			
		4800K			
		4900K			
		5000K			
		5100K			
		5200K			
		5300K			
		5400K			
		5500K			
5600K					
5700K					
6000K					
6500K					
7000K					
7500K					
8000K					
			Hue	-25–25	

Hoofdniveau	Programmeerniveaus		Beschrijving	
Static	Manual Color Mixer	Red	<000-255>	Combineert rood, oranje, groen, koningsblauw, blauw en lime om een aangepaste kleur te genereren (0-100%)
		Orange	<000-255>	
		Green	<000-255>	
		Royal Blue	<000-255>	
		Blue	<000-255>	
		Lime	<000-255>	
Zoom	0-255		Controleert de zoom	
Master/Slave	Master		DMX-modus (Master)	
	Slave		Slave-modus	
Dimmer Mode	Off		Lineaire dimmer	
	Dimmer 1-3		Selecteert dimprofielen van snel (Dimmer 1) tot langzaam (Dimmer 3)	
White Balance	Manual	Off		Gebruikt standaard witte instelling
		Red	<125-255>	Stelt de maximum waarde van de rode LED in
		Orange	<125-255>	Stelt de maximum waarde van de oranje LED in
		Green	<125-255>	Stelt de maximum waarde van de groene LED in
		Royal Blue	<125-255>	Stelt de maximum waarde van de koningsblauwe LED in
		Blue	<125-255>	Stelt de maximum waarde van de blauwe LED in
LED Frequency	600Hz		Selecteert de PWM-uitgangsfrequentie	
	1200Hz			
	2000Hz			
	4000Hz			
	6000Hz			
	25KHz			
Fan Mode	Auto		Ingesteld de ventilator automatische modus	
	On		Ingesteld de ventilator altijd aan modus	
	Off		Ingesteld de ventilator altijd uit	
	Silent		Ingesteld de ventilator stil	
Back Light	10S		Schakelt de backlight van de display uit na 10 seconden van inactiviteit	
	30S		Schakelt de backlight van de display uit na 30 seconden van inactiviteit	
	2Min		Schakelt de backlight van de display uit na 2 minuten van inactiviteit	
	On		De backlight van de display is altijd aan	
Information	Fixture Hours	<_ _ _ _H>	Toont het totale aantal producturen	
	Version	<V_._>	Toont de geïnstalleerde softwareversie	
	UID	<_ _ _ _ _ _ _ _ _ _>	Geeft de huidige UID	
Reset Factory	No		Herstellen naar de fabrieksstandaard	
	Yes			

DMX-waarden
18 Ch

Kanaal	Functie	Waarde	Percentage/Instelling
1	Dimmer	000 ⇄ 255	0–100%
2	Fijnedimmer	000 ⇄ 255	0–100%
3	Rood	000 ⇄ 255	0–100%
4	Fijnerood	000 ⇄ 255	0–100%
5	Oranje	000 ⇄ 255	0–100%
6	Fijnoranje	000 ⇄ 255	0–100%
7	Groen	000 ⇄ 255	0–100%
8	Fijnegroen	000 ⇄ 255	0–100%
9	Koningsblauw	000 ⇄ 255	0–100%
10	Fijnekoningsblauw	000 ⇄ 255	0–100%
11	Blauw	000 ⇄ 255	0–100%
12	Fijneblauw	000 ⇄ 255	0–100%
13	Lime	000 ⇄ 255	0–100%
14	Fijnlime	000 ⇄ 255	0–100%
15	Stroboscoop	000 ⇄ 010 011 ⇄ 255	Geen functie Stroboscoop, langzaam tot snel
16	Kleurtemperatuur	000 ⇄ 255	Raadpleeg de sectie Kleurtemperatuurkaart
17	Tint	000 ⇄ 255	-25–25
18	Zoom	000 ⇄ 255	Smal tot breed

16 Ch

Kanaal	Functie	Waarde	Percentage/Instelling
1	Dimmer	000 ⇄ 255	0–100%
2	Fijnedimmer	000 ⇄ 255	0–100%
3	Rood	000 ⇄ 255	0–100%
4	Fijnerood	000 ⇄ 255	0–100%
5	Oranje	000 ⇄ 255	0–100%
6	Fijnoranje	000 ⇄ 255	0–100%
7	Groen	000 ⇄ 255	0–100%
8	Fijnegroen	000 ⇄ 255	0–100%
9	Koningsblauw	000 ⇄ 255	0–100%
10	Fijnekoningsblauw	000 ⇄ 255	0–100%
11	Blauw	000 ⇄ 255	0–100%
12	Fijneblauw	000 ⇄ 255	0–100%
13	Lime	000 ⇄ 255	0–100%
14	Fijnlime	000 ⇄ 255	0–100%
15	Stroboscoop	000 ⇄ 010 011 ⇄ 255	Geen functie Stroboscoop, langzaam tot snel
16	Zoom	000 ⇄ 255	Smal tot breed

NL

13 Ch

Kanaal	Functie	Waarde	Percentage/Instelling
1	Dimmer	000 ⇔ 255	0–100%
2	Rood	000 ⇔ 255	0–100%
3	Oranje	000 ⇔ 255	0–100%
	Groen	000 ⇔ 255	0–100%
5	Koningsblauw	000 ⇔ 255	0–100%
6	Blauw	000 ⇔ 255	0–100%
7	Lime	000 ⇔ 255	0–100%
8	Stroboscoop	000 ⇔ 010 011 ⇔ 255	Geen functie Stroboscoop, langzaam tot snel
9	Kleurtemperatuur	000 ⇔ 255	Raadpleeg de sectie Kleurtemperatuurkaart
10	Tint	000 ⇔ 255	-25–25
11	Dimmersnelheid	000 ⇔ 051 052 ⇔ 101 102 ⇔ 152 153 ⇔ 203 204 ⇔ 255	Geen functie Lineaire dimmer Dimcurve 1 Dimcurve 2 Dimcurve 3
12	Zoom	000 ⇔ 255	Smal tot breed
13	Motorreset	000 ⇔ 200 201 ⇔ 220 221 ⇔ 255	Geen functie Motorreset Geen functie

Houd 3 seconden ingedrukt:
Overschrijft en wijzigt de
menuselectie

9 Ch

Kanaal	Functie	Waarde	Percentage/Instelling
1	Dimmer	000 ⇔ 255	0–100%
2	Rood	000 ⇔ 255	0–100%
3	Oranje	000 ⇔ 255	0–100%
4	Groen	000 ⇔ 255	0–100%
5	Koningsblauw	000 ⇔ 255	0–100%
6	Blauw	000 ⇔ 255	0–100%
7	Lime	000 ⇔ 255	0–100%
8	Stroboscoop	000 ⇔ 010 011 ⇔ 255	Geen functie Stroboscoop, langzaam tot snel
9	Zoom	000 ⇔ 255	Smal tot breed

7 Ch

Kanaal	Functie	Waarde	Percentage/Instelling
1	Rood	000 ⇔ 255	0–100%
2	Oranje	000 ⇔ 255	0–100%
3	Groen	000 ⇔ 255	0–100%
4	Koningsblauw	000 ⇔ 255	0–100%
5	Blauw	000 ⇔ 255	0–100%
6	Lime	000 ⇔ 255	0–100%
7	Zoom	000 ⇔ 255	Smal tot breed

6 Ch

Kanaal	Functie	Waarde	Percentage/Instelling
1	Dimmer	000 ⇄ 255	0–100%
2	Fijnedimmer	000 ⇄ 255	0–100%
3	Kleurtemperatuur	000 ⇄ 255	Raadpleeg de sectie Kleurtemperatuurkaart
4	Tint	000 ⇄ 255	-25–25
5	Zoom	000 ⇄ 255	Smal tot breed
6	Stroboscoop	000 ⇄ 010 011 ⇄ 255	Geen functie Stroboscoop, langzaam tot snel

4 Ch

Kanaal	Functie	Waarde	Percentage/Instelling
1	Dimmer	000 ⇄ 255	0–100%
2	Kleurtemperatuur	000 ⇄ 255	Raadpleeg de sectie Kleurtemperatuurkaart
3	Tint	000 ⇄ 255	-25–25
4	Zoom	000 ⇄ 255	Smal tot breed

1 Ch

Kanaal	Functie	Waarde	Percentage/Instelling
1	Dimmer	000 ⇄ 255	0–100%

Contact Us

General Information	Technical Support
Chauvet World Headquarters	
Address: 5200 NW 108th Ave. Sunrise, FL 33351 Voice: (954) 577-4455 Fax: (954) 929-5560 Toll Free: (800) 762-1084	Voice: (844) 393-7575 Fax: (954) 756-8015 Email: chauvetcs@chauvetlighting.com Website: www.chauvetprofessional.com
Chauvet Europe Ltd	
Address: Unit 1C Brookhill Road Industrial Estate Pinxton, Nottingham, UK NG16 6NT Voice: +44 (0) 1773 511115 Fax: +44 (0) 1773 511110	Email: UKtech@chauvetlighting.eu Website: www.chauvetprofessional.eu
Chauvet Europe BVBA	
Address: Stokstraat 18 9770 Kruishoutem Belgium Voice: +32 9 388 93 97	Email: BNLtech@chauvetlighting.eu Website: www.chauvetprofessional.eu
Chauvet France	
Address: 3, Rue Ampère 91380 Chilly-Mazarin France Voice: +33 1 78 85 33 59	Email: FRtech@chauvetlighting.fr Website: www.chauvetprofessional.eu
Chauvet Germany	
Address: Bruno-Bürgel-Str. 11 28759 Bremen Germany Voice: +49 421 62 60 20	Email: DEtech@chauvetlighting.de Website: www.chauvetprofessional.eu
Chauvet Mexico	
Address: Av. de las Partidas 34 - 3B (Entrance by Calle 2) Zona Industrial Lerma Lerma, Edo. de México, CP 52000 Voice: +52 (728) 690-2010	Email: servicio@chauvet.com.mx Website: www.chauvetprofessional.mx

Visit the applicable website above to verify our contact information and instructions to request support. Outside the US, the UK, Ireland, Mexico, France, Germany, or Benelux, contact the dealer of record.



UL 1573
CSA C22.2 No. 166
E113093

