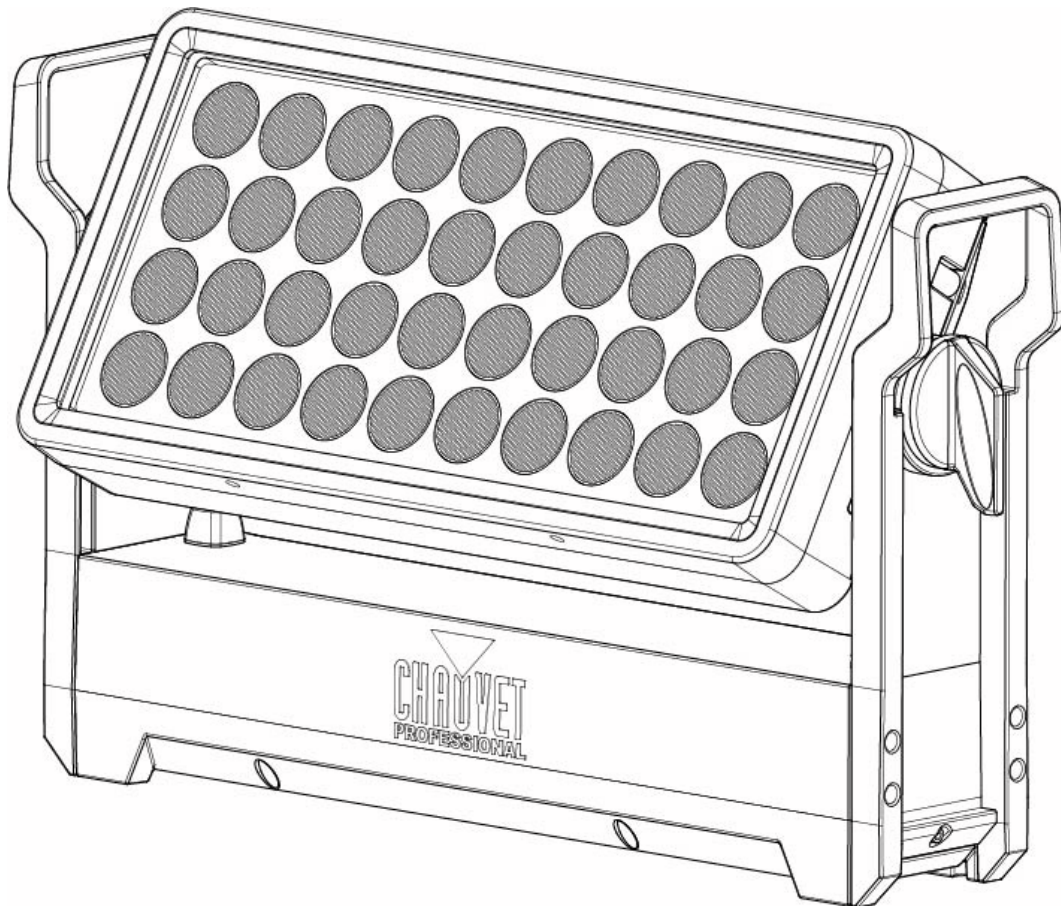


COLORADO *PANEL* Q40

Quick Reference Guide

English	EN
Español	ES
Français	FR
Deutsch	DE
Nederlands	NL



About This Guide

The COLORado Panel Q40 Quick Reference Guide (QRG) has basic product information such as connection, mounting, menu options, and DMX values. Download the User Manual from www.chauvetprofessional.com for more details.

Disclaimer

The information and specifications contained in this QRG are subject to change without notice.

LIMITED WARRANTY

FOR WARRANTY REGISTRATION AND COMPLETE TERMS AND CONDITIONS PLEASE VISIT OUR WEBSITE.

For Customers in the United States and Mexico: www.chauvetlighting.com/warranty-registration.

For Customers in the United Kingdom, Republic of Ireland, Belgium, the Netherlands, Luxembourg, France, and Germany: www.chauvetlighting.eu/warranty-registration.

Chauvet warrants that this product shall be free from defects in material and workmanship under normal use, for the period specified in, and subject to the exclusions and limitations set forth in the full limited warranty on our website. This warranty extends only to the original purchaser of the product and is not transferable. To exercise rights under this warranty, you must provide proof of purchase in the form of an original sales receipt from an authorized dealer that shows the product name and date of purchase. **THERE ARE NO OTHER EXPRESS OR IMPLIED WARRANTIES.** This warranty gives you specific legal rights. You may also have other rights that vary from state to state and country to country. This warranty is valid only in the United States, United Kingdom, Republic of Ireland, Belgium, the Netherlands, Luxembourg, France, Germany and Mexico. For warranty terms in other countries, please consult your local distributor.

Safety Notes

These Safety Notes include important information about installation, use, and maintenance.

- DO NOT open this product. It contains no user-serviceable parts.
- DO NOT look at the light source when the product is on.
- To eliminate unnecessary wear and improve its lifespan, during periods of non-use completely disconnect the product from power via breaker or by unplugging it.
- CAUTION: When transferring product from extreme temperature environments, (e.g. cold truck to warm humid ballroom) condensation may form on the internal electronics of the product. To avoid causing a failure, allow product to fully acclimate to the surrounding environment before connecting it to power.
- CAUTION: This product's housing may be hot when lights are operating.
- Mount this product in a location with adequate ventilation, at least 20 in (50 cm) from adjacent surfaces.
- DO NOT leave any flammable material within 50 cm of this product while operating or connected to power.
- USE a safety cable when mounting this product overhead.
- DO NOT submerge this product (IP65). Regular outdoor operation is fine.
- DO NOT operate this product if the housing, lenses, or cables appear damaged.
- DO NOT connect this product to a dimmer or rheostat.
- ONLY connect this product to a grounded and protected circuit.
- ONLY use the hanging/mounting bracket or the handles to carry this product.
- In the event of a serious operating problem, stop using immediately.
- The maximum ambient temperature is 113 °F (45 °C). Do not operate this product at higher temperatures.
- The minimum startup temperature is -4°F (-20°C). Do not start the product at lower temperatures.
- The minimum ambient temperature is -22°F (-30°C). Do not operate the product at lower temperatures.

RF Exposure Warning for North America, and Australia

Warning! This equipment complies with FCC radiation exposure limits set forth for an uncontrolled environment. This equipment should be installed and operated with a minimum distance of 20cm between the radiator and your body. This transmitter must not be co-located or operating in conjunction with any other antenna or transmitter.

Contact

Outside the U.S., United Kingdom, Ireland, Benelux, France, Germany, or Mexico contact your distributor to request support or return a product. Visit www.chauvetprofessional.com for contact information.

What is Included

- COLORado Panel Q40
- Seetronic Powerkon IP65 Power Cord
- Color Blending Filter Lens
- Omega Bracket with Mounting Hardware
- Quick Reference Guide

AC Power

This product has an auto-ranging power supply that can work with an input voltage range of 100–240 VAC, 50/60 Hz.

Power Linking

You can link up to 2 COLORado Panel Q40 products at 120 V, 4 products at 208 V, or 5 products at 230 V. Never exceed this number. Power linking cords can be purchased separately.

AC Plug

Connection	Wire (U.S.)	Wire (Europe)	Screw Color
AC Live	Black	Brown	Yellow/Brass
AC Neutral	White	Blue	Silver
AC Ground	Green/Yellow	Green/Yellow	Green



To eliminate wear and improve its lifespan, during periods of non-use completely disconnect the product from power via breaker or by unplugging it.

DMX Linking

The COLORado Panel Q40 will work with a DMX controller using a 5-pin DMX data connection or a wireless DMX connection. A DMX Primer is available from www.chauvetprofessional.com.

DMX Connection

The COLORado Panel Q40 uses a wireless or 5-pin DMX data connection for its DMX personalities: **4Ch**, **7Ch**, **11Ch**, **16Ch**, and **23Ch**. See the User Manual for information about connecting and configuring the product for DMX operation.

Master/Slave Connection

The COLORado Panel Q40 uses the DMX data connection for its Master/Slave mode. See the User Manual for information about connect and configure the product for master/slave operation.

Wireless Operation

In optimal conditions, the COLORado Panel Q40 can operate up to 300 m (900 ft) away from the W-DMX transmitter. The W-DMX receiver in the COLORado Panel Q40 must be paired with the W-DMX transmitter for wireless operation.

Initial Setup

1. Turn the W-DMX transmitter on.
2. Connect the W-DMX transmitter to a DMX controller.
3. Place the COLORado Panel Q40 within 300 m from the W-DMX transmitter.
4. Turn the COLORado Panel Q40 on.

Configuration

1. From the COLORado Panel Q40's control panel, go to **DMX Address**.
2. Select the start address, as with any other DMX compatible product.
3. Go to **Wireless Setting > Receive On/Off**.
4. Select **On**. (The Signal Strength Indicator will show a ? in front of the bars)
5. Press the reset button on the W-DMX transmitter. (The Signal Strength Indicator on the COLORado Panel Q40 will show a 4 in front of the bars for 3 seconds while a connection is established.)

Product Pairing

If the COLORado Panel Q40 has already been paired with the W-DMX transmitter, the Signal Strength Indicator in the middle of the OLED screen will show the strength of the signal. In this case, the COLORado Panel Q40 is ready to work in Wireless mode.

Pairing the COLORado Panel Q40 and a new W-DMX transmitter

1. From the COLORado Panel Q40's control panel, go to **Wireless Setting > Receive Reset**.
2. Select **Yes**. The Signal Strength Indicator on the COLORado Panel Q40 will show a ? in front of the bars.
3. From the W-DMX transmitter, press **<RESET>** (the Signal Indicator on the transmitter will flash).
4. Once the transmitter has found the COLORado Panel Q40, the Signal indicator on the W-DMX transmitter will illuminate solid.
5. The Signal Strength Indicator in the middle of the OLED screen on the COLORado Panel Q40 will show the strength of the signal.



W-DMX operation can be interrupted or inhibited by liquid masses between the transmitter and receiver such as water, snow, or people. For best results, keep the area between the transmitter and receiver clear of any liquid mass.

RDM (Remote Device Management)

Remote Device Management, or RDM, is a standard for allowing DMX-enabled devices to communicate bi-directionally along existing DMX cabling. The COLORado Panel Q40 supports RDM protocol that allows feedback to monitor temperature and changes to **DMX Address**, **DMX Channel**, **Dimmer Mode**, and **LED Frequency** menu options. Download the User Manual from www.chauvetprofessional.com for more details.

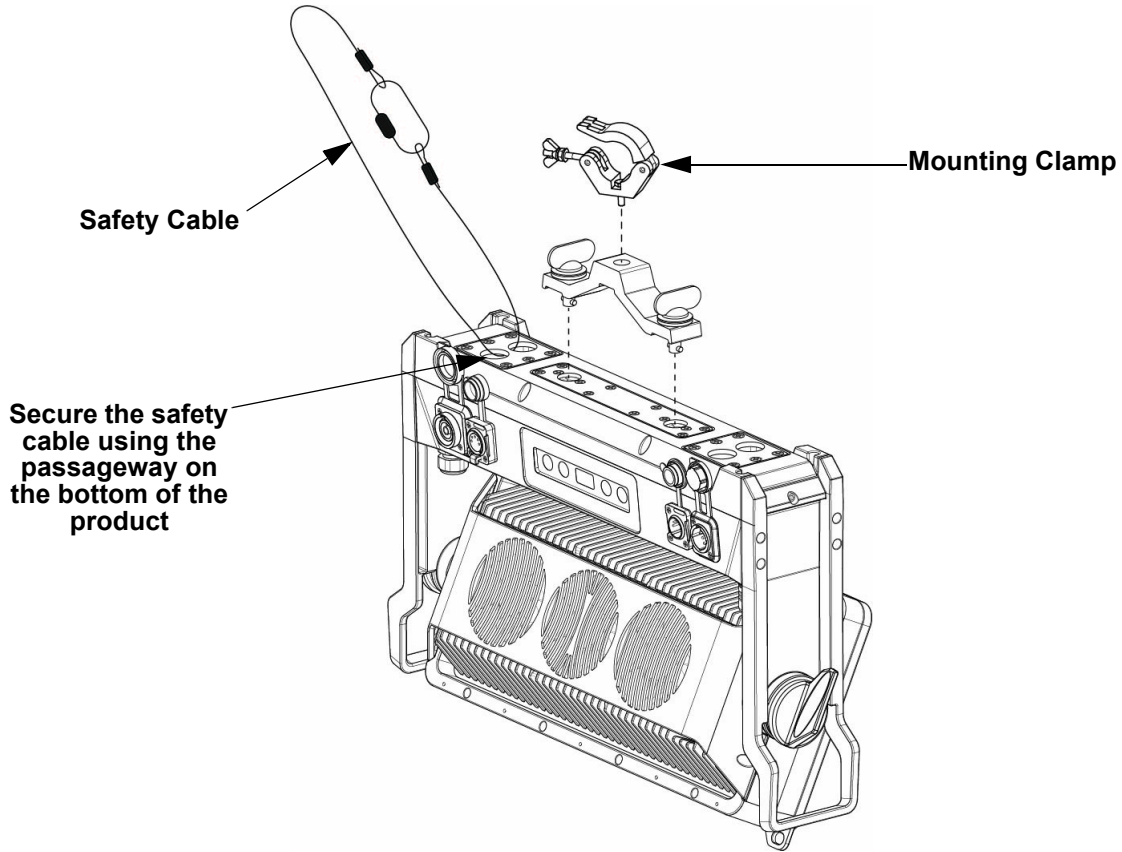
Color Blending Filter Lens

The Color Changing Filter Lens produces a very even light that is soft at the edges. Attach the Color Changing Filter Lens easily with the built-in magnets.

Mounting

Before mounting this product, read the [Safety Notes](#). Use at least one mounting point per product. Make sure the mounting clamps are capable of supporting the weight of the product. For our CHAUVET Professional line of mounting clamps, go to <http://trusst.com/products>.

Mounting Diagram

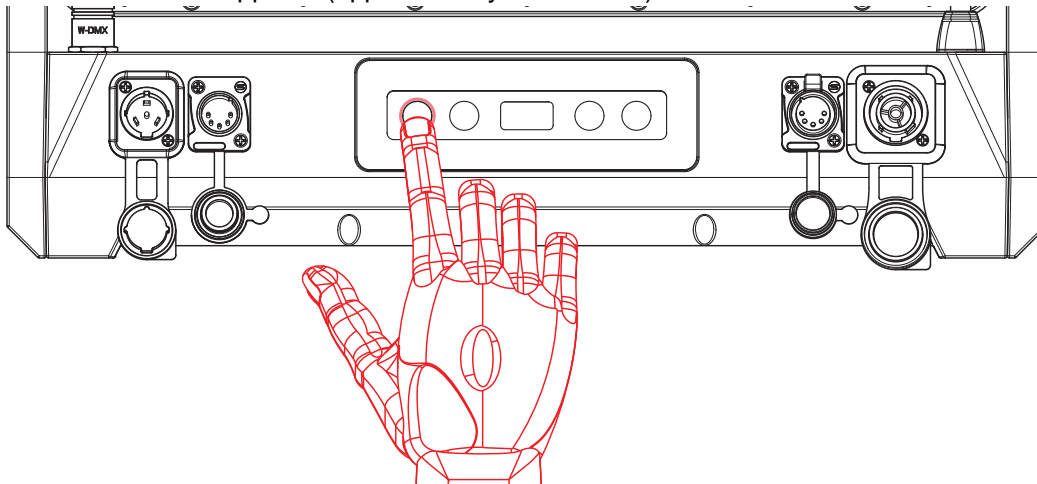


Control Panel Description

Button	Function
<MENU>	Exits from the current menu or function
<ENTER>	Enables the currently displayed menu or sets the currently selected value into the selected function
<UP>	Navigates upwards through the menu list and increases the numeric value when in a function
<DOWN>	Navigates downwards through the menu list and decreases the numeric value when in a function

Battery Powered Display

Press and hold until menu screen appears (approximately 15 seconds).



Menu Map

Main Level	Programming Levels		Description					
DMX Address	001–509		Selects DMX address (highest channel restricted to personality chosen)					
DMX Channel	4Ch		4-channel: RGBW					
	7Ch		7-channel: 16-bit dimmer, RGBW, Strobe					
	11Ch		11-channel: 16-bit dimmer, RGBW, Strobe, Color macro, Auto program, Auto speed, Dimmer speed					
	16Ch		16-channel: 4-zone RGBW					
	23Ch		23-channel: 16-bit dimmer, 4-zone RGBW, Strobe, Color macro, Auto program, Auto speed, Dimmer speed					
Static	Fixed Color	R	Red					
		G	Green					
		B	Blue					
		W	White					
		GB	Green and blue					
		RB	Red and blue					
		RG	Red and green					
		RGB	Red, green, and blue					
		RW	Red and white					
		GW	Green and white					
		BW	Blue and white					
		RGW	Red, green, and white					
		RBW	Red, blue, and white					
		GBW	Green, blue, and white					
	RGBW	Red, green, blue, and white						
	Manual Color Mixer	<table border="1"> <tr> <td>Red</td> <td rowspan="4">0–255</td> <td rowspan="4">Combine red, green, blue, and white to make a custom color temperature</td> </tr> <tr> <td>Green</td> </tr> <tr> <td>Blue</td> </tr> <tr> <td>White</td> </tr> </table>	Red	0–255	Combine red, green, blue, and white to make a custom color temperature	Green	Blue	White
Red	0–255	Combine red, green, blue, and white to make a custom color temperature						
Green								
Blue								
White								
Auto Show	Auto 1–11	1–100	Selects automatic programs and program speed					
Master/Slave	Master		DMX mode (Master)					
	Slave		Slave mode					
Dimmer Mode	Off		Linear dimmer					
	Dimmer 1–3		Dimming curves Dimmer 1 (fast) to Dimmer 3 (slow)					
White Balance	Manual	Off	Uses factory default white setting					
		Red	Sets red LED maximum value					
		Green	Sets green LED maximum value					
		Blue	Sets blue LED maximum value					
	White	Sets white LED maximum value						
Legacy	On	Matches output to previous COLORado Panel Q40 models						
Off								
LED Frequency	600Hz		Sets the PWM frequency					
	1200Hz							
	2000Hz							
	4000Hz							
	6000Hz							
	25KHz							
Fan Mode	Auto		Sets the fan to auto mode					
	On		Sets the fan to always on					
Wireless Setting	Receive On/Off	On	Enables/disables wireless DMX					
		Off						
	Receive Reset	No	Resets wireless receiver					
		Yes						

QUICK REFERENCE GUIDE

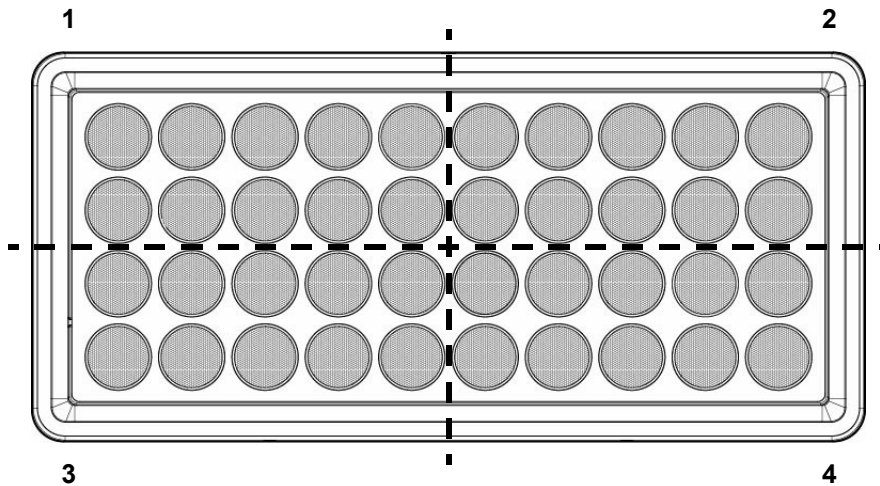


EN

Main Level	Programming Levels		Description
Back Light	On		Display backlight always on
	10S		Turns off display backlight after 10 seconds of inactivity
	20S		Turns off display backlight after 20 seconds of inactivity
	30S		Turns off display backlight after 30 seconds of inactivity
Key Lock	On		Locks display (password is <UP>, <DOWN>, <UP>, <DOWN>, <ENTER>)
	Off		
Information	Fixture Hours	<_ _ _ _ H>	Shows total hours the product has been powered on
	Version	<V _ _>	Shows current firmware version
	UID	<_ _ _ _ _>	Shows product UID
	Battery	_ _ _ %	Shows remaining battery power
Reset Factory	No		Resets the product to factory default settings
	Yes		

DMX Values

Zones for DMX Control



23Ch

Channel	Function	Value	Percent/Setting
1	Dimmer	000 ⇔ 255	0–100%
2	Dimmer Fine	000 ⇔ 255	0–100%
3	Red 1	000 ⇔ 255	0–100%
4	Green 1	000 ⇔ 255	0–100%
5	Blue 1	000 ⇔ 255	0–100%
6	White 1	000 ⇔ 255	0–100%
7	Red 2	000 ⇔ 255	0–100%
8	Green 2	000 ⇔ 255	0–100%
9	Blue 2	000 ⇔ 255	0–100%
10	White 2	000 ⇔ 255	0–100%
11	Red 3	000 ⇔ 255	0–100%
12	Green 3	000 ⇔ 255	0–100%
13	Blue 3	000 ⇔ 255	0–100%
14	White 3	000 ⇔ 255	0–100%
15	Red 4	000 ⇔ 255	0–100%
16	Green 4	000 ⇔ 255	0–100%
17	Blue 4	000 ⇔ 255	0–100%
18	White 4	000 ⇔ 255	0–100%
19	Strobe	000 ⇔ 010	No function
		011 ⇔ 255	Strobe, slow to fast

Channel	Function	Value	Percent/Setting
20	Color Macro	000 ⇔ 010	No function
		011 ⇔ 030	R: 100% G: 0–100% B: 0%
		031 ⇔ 050	R: 100–0% G: 100% B: 0%
		051 ⇔ 070	R: 0% G: 100% B: 0–100%
		071 ⇔ 090	R: 0% G: 100–0% B: 100%
		091 ⇔ 110	R: 0–100% G: 0% B: 100%
		111 ⇔ 130	R: 100% G: 0% B: 100–0%
		131 ⇔ 150	R: 100% G: 0–100% B: 0–100%
		151 ⇔ 170	R: 100% G: 100–0% B: 100%
		171 ⇔ 200	R: 100% G: 100% B: 100%
		201 ⇔ 205	Color temperature 1
		206 ⇔ 210	Color temperature 2
		211 ⇔ 215	Color temperature 3
		216 ⇔ 220	Color temperature 4
		221 ⇔ 225	Color temperature 5
		226 ⇔ 230	Color temperature 6
		231 ⇔ 235	Color temperature 7
236 ⇔ 240	Color temperature 8		
241 ⇔ 245	Color temperature 9		
246 ⇔ 250	Color temperature 10		
251 ⇔ 255	Color temperature 11		
21	Auto Programs	000 ⇔ 010	No function
		011 ⇔ 032	Auto program 1
		033 ⇔ 054	Auto program 2
		055 ⇔ 076	Auto program 3
		077 ⇔ 098	Auto program 4
		099 ⇔ 120	Auto program 5 (Auto program 1–4)
		121 ⇔ 142	Auto program 6
		143 ⇔ 164	Auto program 7
		165 ⇔ 186	Auto program 8
		187 ⇔ 208	Auto program 9
		209 ⇔ 230	Auto program 10
231 ⇔ 255	Auto program 11 (Auto program 6–10)		
22	Auto Program Speed	000 ⇔ 255	Auto speed, slow to fast
23	Dimmer Speed Mode	000 ⇔ 051	Preset dimmer speed from display menu
		052 ⇔ 101	Dimmer speed mode off
		102 ⇔ 152	Dimmer speed mode 1 (fastest)
		153 ⇔ 203	Dimmer speed mode 2
		204 ⇔ 255	Dimmer speed mode 3 (slowest)

QUICK REFERENCE GUIDE



EN

16Ch

Channel	Function	Value	Percent/Setting
1	Red 1	000 ⇔ 255	0–100%
2	Green 1	000 ⇔ 255	0–100%
3	Blue 1	000 ⇔ 255	0–100%
4	White 1	000 ⇔ 255	0–100%
5	Red 2	000 ⇔ 255	0–100%
6	Green 2	000 ⇔ 255	0–100%
7	Blue 2	000 ⇔ 255	0–100%
8	White 2	000 ⇔ 255	0–100%
9	Red 3	000 ⇔ 255	0–100%
10	Green 3	000 ⇔ 255	0–100%
11	Blue 3	000 ⇔ 255	0–100%
12	White 3	000 ⇔ 255	0–100%
13	Red 4	000 ⇔ 255	0–100%
14	Green 4	000 ⇔ 255	0–100%
15	Blue 4	000 ⇔ 255	0–100%
16	White 4	000 ⇔ 255	0–100%

11Ch

Channel	Function	Value	Percent/Setting
1	Dimmer	000 ⇔ 255	0–100%
2	Dimmer Fine	000 ⇔ 255	0–100%
3	Red	000 ⇔ 255	0–100%
4	Green	000 ⇔ 255	0–100%
5	Blue	000 ⇔ 255	0–100%
6	White	000 ⇔ 255	0–100%
7	Strobe	000 ⇔ 010	No function
		011 ⇔ 255	Strobe, slow to fast
		000 ⇔ 010	No function
		011 ⇔ 030	R: 100% G: 0–100% B: 0%
		031 ⇔ 050	R: 100–0% G: 100% B: 0%
		051 ⇔ 070	R: 0% G: 100% B: 0–100%
		071 ⇔ 090	R: 0% G: 100–0% B: 100%
		091 ⇔ 110	R: 0–100% G: 0% B: 100%
		111 ⇔ 130	R: 100% G: 0% B: 100–0%
		131 ⇔ 150	R: 100% G: 0–100% B: 0–100%
		151 ⇔ 170	R: 100% G: 100–0% B: 100%
		171 ⇔ 200	R: 100% G: 100% B: 100%
		201 ⇔ 205	Color 1
		206 ⇔ 210	Color 2
		211 ⇔ 215	Color 3
		216 ⇔ 220	Color 4
221 ⇔ 225	Color 5		
226 ⇔ 230	Color 6		
231 ⇔ 235	Color 7		
236 ⇔ 240	Color 8		
241 ⇔ 245	Color 9		
246 ⇔ 250	Color 10		
251 ⇔ 255	Color 11		

Channel	Function	Value	Percent/Setting
9	Auto Programs	000 ⇔ 010	No function
		011 ⇔ 032	Auto program 1
		033 ⇔ 054	Auto program 2
		055 ⇔ 076	Auto program 3
		077 ⇔ 098	Auto program 4
		099 ⇔ 120	Auto program 5 (Auto program 1–4)
		121 ⇔ 142	Auto program 6
		143 ⇔ 164	Auto program 7
		165 ⇔ 186	Auto program 8
		187 ⇔ 208	Auto program 9
		209 ⇔ 230	Auto program 10
231 ⇔ 255	Auto program 11 (Auto program 6–10)		
10	Auto Program Speed	000 ⇔ 255	Auto speed, slow to fast
11	Dimmer Speed Mode	000 ⇔ 051	Preset dimmer speed from display menu
		052 ⇔ 101	Dimmer speed mode off
		102 ⇔ 152	Dimmer speed mode 1 (fastest)
		153 ⇔ 203	Dimmer speed mode 2
		204 ⇔ 255	Dimmer speed mode 3 (slowest)

7Ch

Channel	Function	Value	Percent/Setting
1	Dimmer	000 ⇔ 255	0–100%
2	Dimmer Fine	000 ⇔ 255	0–100%
3	Red	000 ⇔ 255	0–100%
4	Green	000 ⇔ 255	0–100%
5	Blue	000 ⇔ 255	0–100%
6	White	000 ⇔ 255	0–100%
7	Strobe	000 ⇔ 010	No function
		011 ⇔ 255	Strobe, slow to fast

4Ch

Channel	Function	Value	Percent/Setting
1	Red	000 ⇔ 255	0–100%
2	Green	000 ⇔ 255	0–100%
3	Blue	000 ⇔ 255	0–100%
4	White	000 ⇔ 255	0–100%

Acerca de Esta Guía

La Guía de Referencia Rápida (GRR) del COLORado Panel Q40 contiene información básica sobre el producto, como montaje, opciones de menú y valores DMX. Descargue el manual de usuario de www.chauvetprofessional.com para información más detallada.

Exención de Responsabilidad

La información y especificaciones contenidas en esta GRR están sujetas a cambio sin previo aviso.

GARANTÍA LIMITADA

PARA VER EL REGISTRO DE GARANTÍA Y LOS TÉRMINOS Y CONDICIONES COMPLETOS, VISITE NUESTRO SITIO WEB.

Para clientes en los Estados Unidos y México: www.chauvetlighting.com/warranty-registration.

Para clientes en Reino Unido, República de Irlanda, Bélgica, Países Bajos, Luxemburgo, Francia y Alemania: www.chauvetlighting.eu/warranty-registration.

Chauvet garantiza que este producto estará libre de defectos de material y mano de obra en condiciones de uso normales, durante el periodo especificado, sujeto siempre a las exclusiones y limitaciones establecidas en la garantía limitada completa de nuestro sitio web. Esta garantía se concede únicamente al comprador original del producto y no es transferible. Para ejercer los derechos que otorga esta garantía, usted debe proporcionar una prueba de compra en forma de un recibo de compra original, expedido por un distribuidor autorizado, donde figure el nombre del producto y la fecha de compra. NO EXISTEN OTRAS GARANTÍAS EXPRESAS NI IMPLÍCITAS. Esta garantía le otorga derechos legales específicos. Es posible que a usted le asistan otros derechos, que variarán dependiendo del estado o del país. Esta garantía solamente es válida en los Estados Unidos, Reino Unido, República de Irlanda, Bélgica, Países Bajos, Luxemburgo, Francia, Alemania y México. Para conocer los términos de garantía en otros países, consulte a su distribuidor local.

Notas de Seguridad

Estas notas de seguridad incluyen información importante sobre el montaje, uso y mantenimiento.

- NO abra este producto. No contiene piezas reparables por el usuario.
- NO mire a la fuente de luz cuando el producto esté encendido.
- Para evitar un desgaste innecesario y alargar su vida útil, desconecte complementemente el producto de la alimentación, mediante el interruptor o desenchufándolo, durante los periodos en los que no se use.
- Cuidado: cuando transfiera el producto desde ambientes con temperatura extrema (p. ej., del remolque frío de un camión a una sala de baile con calor y humedad), puede formarse condensación en la electrónica interna del producto. Para evitar que se produzca una avería, deje que el producto se aclimate completamente al ambiente antes de conectar la alimentación.
- ¡CUIDADO! La carcasa de este producto está caliente cuando las luces están en funcionamiento.
- Monte este producto en una ubicación con ventilación adecuada, al menos a 20" (50 cm) de superficies adyacentes.
- NO deje ningún material inflamable a menos de 50 cm de este producto mientras esté funcionando o conectado a la alimentación.
- USE un cable de seguridad cuando monte este producto en lo alto.
- NO sumerja este producto (IP65). La operación normal en exteriores es correcta.
- NO ponga en funcionamiento este producto si sospecha que la carcasa, lentes o cables están dañados.
- NO conecte este producto a un atenuador o reostato.
- Conecte este producto SOLO a un circuito con toma de tierra y protegido.
- Use SOLAMENTE los soportes de colgar/montar o las asas para mover este producto.
- En caso de un problema grave de funcionamiento, deje de usarlo inmediatamente.
- La máxima temperatura ambiente es de 113 °F (45 °C). No haga funcionar este producto a temperaturas más altas.
- La temperatura de inicio máxima es de -4 °F (-20 °C). No ponga en funcionamiento el producto a temperaturas más bajas.
- La temperatura ambiente mínima es de -22 °F (-30 °C). No haga funcionar el producto a temperaturas más bajas.

Advertencia de exposición a RF para América del Norte y Australia

¡Advertencia! Este equipo cumple los límites FCC de exposición a radiación establecidos para un entorno no controlado. Este equipo debe instalarse y manejarse con una distancia mínima de 20 cm entre el radiador y su cuerpo. Este transmisor no se debe situar junto a ninguna otra antena o transmisor ni hacerse funcionar en combinación con ellos.

Contacto

Fuera de EE.UU, Reino Unido, Irlanda, Benelux, Francia, Alemania o México, póngase en contacto con su distribuidor para solicitar asistencia o devolver el producto. Visite www.chauvetprofessional.com para información de contacto.

Qué va Incluido

- COLORado Panel Q40
- Cable de alimentación Seetronic Powerkon IP65
- Lente filtro de mezcla de colores
- Soporte Omega con material de montaje
- Guía de Referencia Rápida

Corriente Alterna

Este producto tiene una fuente de alimentación con detección automática que puede funcionar con un rango de tensión de entrada de 100–240 VCA, 50/60 Hz.

Alimentación en Cadena

Puede enlazar hasta 2 productos COLORado Panel Q40 a 120 V, 4 productos a 208 V o 5 productos a 230 V. Los cables de alimentación en cadena se pueden adquirir por separado.

Enchufe CA

Conexión	Cable (EE.UU)	Cable (Europa)	Color del Tornillo
CA Cargado	Negro	Marrón	Amarillo/Bronce
CA Neutro	Blanco	Azul	Plata
CA Tierra	Verde/Amarillo	Verde/Amarillo	Verde



Para evitar un desgaste innecesario y alargar su vida útil, desconecte completamente el producto de la alimentación, mediante el interruptor o desenchufándolo, durante los periodos en los que no se use.

Enlace DMX

El COLORado Panel Q40 funcionará con un controlador DMX usando una conexión serie DMX normal o una conexión DMX inalámbrico. Hay un Manual DMX disponible en www.chauvetprofessional.com.

Conexión DMX

El COLORado Panel Q40 usa una conexión de datos DMX normal o inalámbrico para sus personalidades DMX: **4Ch**, **7Ch**, **11Ch**, **16Ch** y **23Ch**. Vea el Manual de usuario para conectar y configurar para funcionamiento DMX

Conexión Maestro/Esclavo

El COLORado Panel Q40 usa la conexión de datos DMX para su modo Maestro/Esclavo. Vea el Manual de usuario para conectar y configurar para funcionamiento Maestro/Esclavo.

Funcionamiento inalámbrico

En condiciones óptimas, el COLORado Panel Q40 puede funcionar a una distancia de hasta 300 m (900 ft) del transmisor W-DMX. El receptor W-DMX del COLORado Panel Q40 tiene que estar emparejado con el transmisor W-DMX para el funcionamiento inalámbrico.

Configuración inicial

1. Encienda el transmisor W-DMX.
2. Conecte el transmisor W-DMX a un controlador DMX.
3. Sitúe el COLORado Panel Q40 a una distancia de hasta 300 m del transmisor W-DMX.
4. Desconecte cualquier cable DMX del COLORado Panel Q40.
5. Encienda el COLORado Panel Q40.

Configuración

1. Desde el panel de control del COLORado Panel Q40 vaya a **DMX Address**.
2. Seleccione la dirección de inicio, al igual que con cualquier otro producto compatible con DMX.
3. Vaya a **Wireless Setting > Receive On/Off**.
4. Seleccione **On**. (en el indicador de potencia de señal aparecerá una ? delante de las barras)
5. Pulse el botón de reinicio del transmisor W-DMX. (en el indicador de potencia de señal del COLORado Panel Q40 aparecerá ⚡ delante de las barras durante 3 segundos mientras se establece la conexión.)

Emparejamiento de productos

Si el COLORado Panel Q40 ya se ha emparejado con el transmisor W-DMX, el indicador de potencia de señal en el medio de la pantalla OLED mostrará la potencia de la señal. En este caso, el COLORado Panel Q40 está listo para funcionar en modo inalámbrico.

1. Desde el panel de control del COLORado Panel Q40's vaya a **Wireless Setting**.
2. Seleccione **Receive Reset**. En el indicador de potencia de señal del COLORado Panel Q40 aparecerá una ? delante de las barras.
3. Desde el transmisor W-DMX, pulse **<RESET>** (el indicador de señal del transmisor parpadeará).
4. Una vez que el transmisor haya encontrado el COLORado Panel Q40, el indicador de señal del transmisor W-DMX se iluminará de forma constante.
5. El indicador de potencia de señal en el medio de la pantalla OLED del COLORado Panel Q40 mostrará la potencia de la señal.



Masas líquidas entre el transmisor y el receptor, como agua, nieve o personas, pueden interrumpir o impedir el funcionamiento por W-DMX. Para mejores resultados, mantenga la zona entre el transmisor y el receptor sin ninguna masa líquida.

RDM (gestión remota del dispositivo)

Remote Device Management (gestión remota del dispositivo) o RDM, es un estándar que permite a los dispositivos con capacidad DMX una comunicación bidireccional por un cableado DMX existente. El COLORado Panel Q40 admite protocolo RDM, que posibilita información para supervisar la temperatura y cambiar las opciones del menú **DMX Address**, **DMX Channel**, **Dimmer Mode** y **LED Frequency**. Descargue el manual de usuario de www.chauvetprofessional.com para una información más detallada.

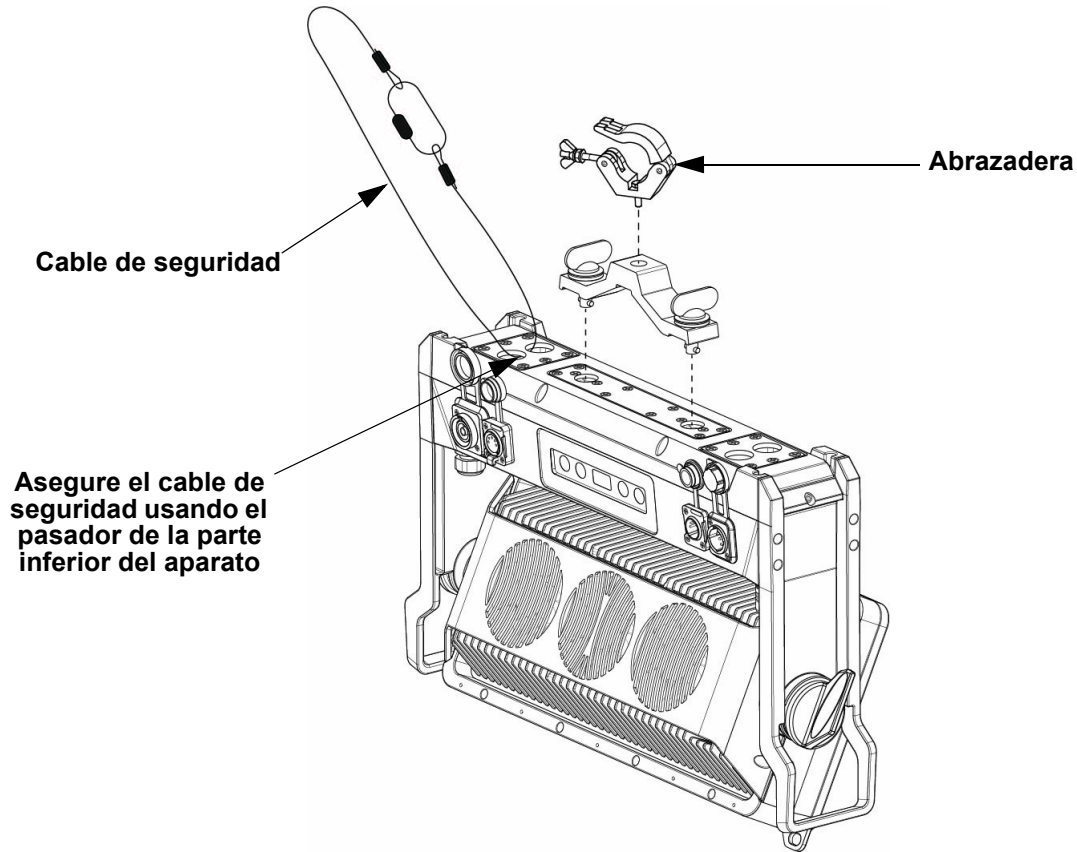
Lente filtro de mezcla de colores

La lente filtro de mezcla de colores produce una luz muy uniforme, de perfiles suaves. Acople la lente filtro de mezcla de colores fácilmente con los imanes incorporados.

Montaje

Antes de montar este producto, lea las [Notas de Seguridad](#). Utilice al menos un punto de montaje por producto. Asegúrese de que las abrazaderas de montaje son capaces de soportar el peso del producto. Para nuestra línea Chauvet de abrazaderas de montaje, visite <http://trusst.com/products>.

Diagrama de Montaje

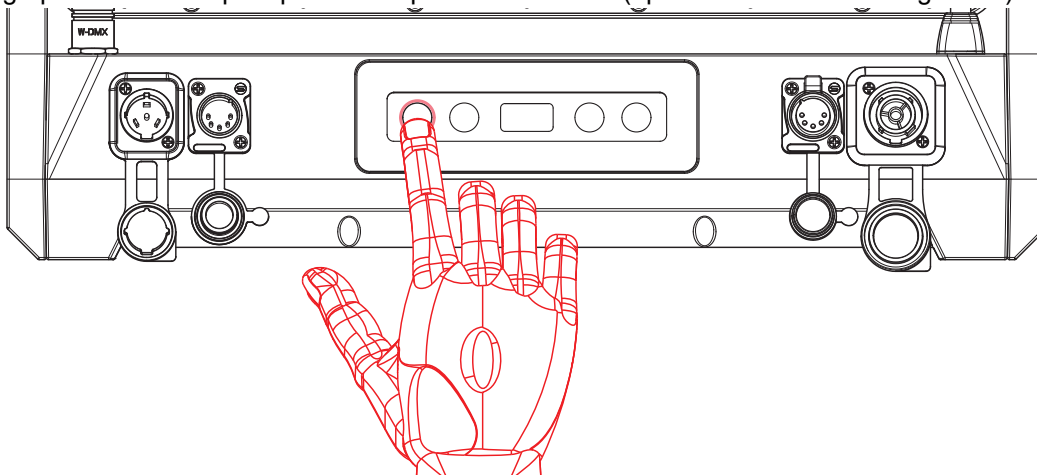


Descripción del Panel de Control

Botón	Función
<MENU>	Salir del menú o función actual
<ENTER>	Habilita el menú actualmente en pantalla o configura el valor seleccionado actualmente dentro de la función seleccionada
<UP>	Navega hacia arriba por la lista de menú y aumenta el valor numérico cuando está en una función
<DOWN>	Navega hacia abajo por la lista de menú y disminuye el valor numérico cuando está en una función

Pantalla alimentada con batería

Pulse y mantenga pulsado hasta que aparezca la pantalla de menú (aproximadamente 15 segundos).



Mapa de Menú

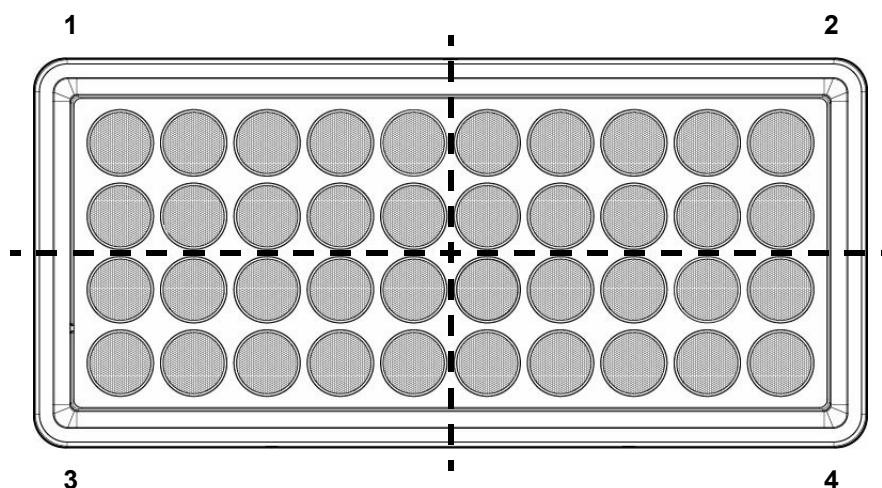
Nivel Principal	Niveles de Programación		Descripción	
DMX Address	001–509		Selecciona la dirección de inicio (canal más alto restringido a la elección de personalidad)	
DMX Channel	4Ch		4 canales: RGBW	
	7Ch		7 canales: 16 bits atenuador, RGBW, estroboscopio	
	11Ch		11 canales: 16 bits atenuador, RGBW, estroboscopio, macro de color, programa automático, velocidad de programa, velocidad de atenuador	
	16Ch		16 canales: 4 zonas RGBW	
	23Ch		23 canales: 16 bits atenuador, 4 zonas RGBW, estroboscopio, macro de color, programa automático, velocidad de programa, velocidad de atenuador	
Static	Fixed Color	R	Rojo	
		G	Verde	
		B	Azul	
		W	Blanco	
		GB	Verde y azul	
		RB	Rojo y azul	
		RG	Rojo y verde	
		RGB	Rojo, verde y azul	
		RW	Rojo y blanco	
		GW	Verde y blanco	
		BW	Azul y blanco	
		RGW	Rojo, verde y blanco	
		RBW	Rojo, azul y blanco	
		GBW	Verde, azul y blanco	
	RGBW	Rojo, verde, azul y blanco		
Manual Color Mixer	Red	0–255	Combina rojo, verde, azul, ámbar y blanco para generar un color personalizado (0–100%)	
	Green			
	Blue			
	White			
Auto Show	Auto 1–11	1–100	Selecciona programas automáticos y velocidad	
Master/Slave	Master		Modo DMX (maestro)	
	Slave		Modo esclavo	
Dimmer Mode	Off		Atenuador lineal	
	Dimmer 1–3		Curvas de atenuador rápido (Dimmer 1) a lento (Dimmer 3)	
White Balance	Manual	Red	125–255	Establece el valor máximo de LED rojo
		Green		Establece el valor máximo de LED verde
		Blue		Establece el valor máximo de LED azul
		White		Establece el valor máximo de LED blanco
	Legacy	On		Equivale a la potencia de los modelos
		Off		COLORado Panel Q40 anteriores
LED Frequency	600Hz		Selecciona la frecuencia de emisión PWM	
	1200Hz			
	2000Hz			
	4000Hz			
	6000Hz			
	25KHz			
Fan Mode	Auto		Establece el ventilador a modo auto	
	On		Establece el ventilador a modo siempre encendido	
Wireless Setting	Receive On/Off	On	Apaga/enciende la función DMX inalámbrica	
		Off		
	Receive Reset	No	Reinicia la configuración inalámbrica	
	Yes			

ES

Nivel Principal	Niveles de Programación		Descripción
Back Light	On		Retro-iluminación de la pantalla siempre activa
	10S		Retro-iluminación de la pantalla se apaga después de 10 segundos de inactividad
	20S		Retro-iluminación de la pantalla se apaga después de 20 segundos de inactividad
	30S		Retro-iluminación de la pantalla se apaga después de 30 segundos de inactividad
Key Lock	On		Bloquea la pantalla (la contraseña es <UP>, <DOWN>, <UP>, <DOWN>, <ENTER>)
	Off		
Information	Fixture Hours	<_ _ _ _ H>	Muestra el nombre total de las horas del producto
	Version	<V _ _ _>	Muestra instalada la versión de firmware
	UID	<_ _ _ _ _>	Muestra el UID # del producto
	Battery	_ _ _ %	Muestra cuánto tiempo de batería queda disponible
Reset Factory	No Yes		Reinicia a la configuración de fábrica

Valores DMX

Zonas para control DMX



23Ch

Canal	Función	Valor	Porcentaje/Configuración
1	Atenuador	000 ⇔ 255	0–100%
2	Atenuador fino	000 ⇔ 255	0–100%
3	Rojo 1	000 ⇔ 255	0–100%
4	Verde 1	000 ⇔ 255	0–100%
5	Azul 1	000 ⇔ 255	0–100%
6	Blanco 1	000 ⇔ 255	0–100%
7	Rojo 2	000 ⇔ 255	0–100%
8	Verde 2	000 ⇔ 255	0–100%
9	Azul 2	000 ⇔ 255	0–100%
10	Blanco 2	000 ⇔ 255	0–100%
11	Rojo 3	000 ⇔ 255	0–100%
12	Verde 3	000 ⇔ 255	0–100%
13	Azul 3	000 ⇔ 255	0–100%
14	Blanco 3	000 ⇔ 255	0–100%
15	Rojo 4	000 ⇔ 255	0–100%
16	Verde 4	000 ⇔ 255	0–100%
17	Azul 4	000 ⇔ 255	0–100%
18	Blanco 4	000 ⇔ 255	0–100%

Canal	Función	Valor	Porcentaje/Configuración
19	Estroboscopio	000 ⇔ 010	Sin función
		011 ⇔ 255	Estroboscopio, lento a rápido
20	Macro de color	000 ⇔ 010	Sin función
		011 ⇔ 030	R: 100% G: 0–100% B: 0%
		031 ⇔ 050	R: 100–0% G: 100% B: 0%
		051 ⇔ 070	R: 0% G: 100% B: 0–100%
		071 ⇔ 090	R: 0% G: 100–0% B: 100%
		091 ⇔ 110	R: 0–100% G: 0% B: 100%
		111 ⇔ 130	R: 100% G: 0% B: 100–0%
		131 ⇔ 150	R: 100% G: 0–100% B: 0–100%
		151 ⇔ 170	R: 100% G: 100–0% B: 100%
		171 ⇔ 200	R: 100% G: 100% B: 100%
		201 ⇔ 205	Temperatura de color 1
		206 ⇔ 210	Temperatura de color 2
		211 ⇔ 215	Temperatura de color 3
		216 ⇔ 220	Temperatura de color 4
		221 ⇔ 225	Temperatura de color 5
		226 ⇔ 230	Temperatura de color 6
		231 ⇔ 235	Temperatura de color 7
		236 ⇔ 240	Temperatura de color 8
241 ⇔ 245	Temperatura de color 9		
246 ⇔ 250	Temperatura de color 10		
251 ⇔ 255	Temperatura de color 11		
21	Programas automáticos	000 ⇔ 010	Sin función
		011 ⇔ 032	Programa automático 1
		033 ⇔ 054	Programa automático 2
		055 ⇔ 076	Programa automático 3
		077 ⇔ 098	Programa automático 4
		099 ⇔ 120	Programa automático 5 (Programa automático 1–4)
		121 ⇔ 142	Programa automático 6
		143 ⇔ 164	Programa automático 7
		165 ⇔ 186	Programa automático 8
		187 ⇔ 208	Programa automático 9
		209 ⇔ 230	Programa automático 10
231 ⇔ 255	Programa automático 11 (Programa automático 6–10)		
22	Velocidad de programa	000 ⇔ 255	Velocidad, lente a rápida
23	Velocidad atenuador	000 ⇔ 051	Ajuste de la velocidad del atenuador desde la pantalla
		052 ⇔ 101	Modo velocidad del atenuador desactivado
		102 ⇔ 152	Velocidad de atenuador 1 (rápida)
		153 ⇔ 203	Velocidad de atenuador 2
		204 ⇔ 255	Velocidad de atenuador 3 (lenta)

ES

16Ch

Canal	Función	Valor	Porcentaje/Configuración
1	Rojo 1	000 ⇔ 255	0–100%
2	Verde 1	000 ⇔ 255	0–100%
3	Azul 1	000 ⇔ 255	0–100%
4	Blanco 1	000 ⇔ 255	0–100%
5	Rojo 2	000 ⇔ 255	0–100%
6	Verde 2	000 ⇔ 255	0–100%
7	Azul 2	000 ⇔ 255	0–100%
8	Blanco 2	000 ⇔ 255	0–100%
9	Rojo 3	000 ⇔ 255	0–100%
10	Verde 3	000 ⇔ 255	0–100%
11	Azul 3	000 ⇔ 255	0–100%
12	Blanco 3	000 ⇔ 255	0–100%
13	Rojo 4	000 ⇔ 255	0–100%
14	Verde 4	000 ⇔ 255	0–100%
15	Azul 4	000 ⇔ 255	0–100%
16	Blanco 4	000 ⇔ 255	0–100%

11Ch

Canal	Función	Valor	Porcentaje/Configuración
1	Atenuador	000 ⇔ 255	0–100%
2	Atenuador fino	000 ⇔ 255	0–100%
3	Rojo	000 ⇔ 255	0–100%
4	Verde	000 ⇔ 255	0–100%
5	Azul	000 ⇔ 255	0–100%
6	Blanco	000 ⇔ 255	0–100%
7	Estroboscopio	000 ⇔ 010 011 ⇔ 255	Sin función Estroboscopio, lento a rápido
8	Macro de color	000 ⇔ 010	Sin función
		011 ⇔ 030	R: 100% G: 0–100% B: 0%
		031 ⇔ 050	R: 100–0% G: 100% B: 0%
		051 ⇔ 070	R: 0% G: 100% B: 0–100%
		071 ⇔ 090	R: 0% G: 100–0% B: 100%
		091 ⇔ 110	R: 0–100% G: 0% B: 100%
		111 ⇔ 130	R: 100% G: 0% B: 100–0%
		131 ⇔ 150	R: 100% G: 0–100% B: 0–100%
		151 ⇔ 170	R: 100% G: 100–0% B: 100%
		171 ⇔ 200	R: 100% G: 100% B: 100%
		201 ⇔ 205	Temperatura de color 1
		206 ⇔ 210	Temperatura de color 2
		211 ⇔ 215	Temperatura de color 3
		216 ⇔ 220	Temperatura de color 4
221 ⇔ 225	Temperatura de color 5		
226 ⇔ 230	Temperatura de color 6		
231 ⇔ 235	Temperatura de color 7		
236 ⇔ 240	Temperatura de color 8		
241 ⇔ 245	Temperatura de color 9		
246 ⇔ 250	Temperatura de color 10		
251 ⇔ 255	Temperatura de color 11		

Canal	Función	Valor	Porcentaje/Configuración
9	Programas automáticos	000 ⇔ 010	Sin función
		011 ⇔ 032	Programa automático 1
		033 ⇔ 054	Programa automático 2
		055 ⇔ 076	Programa automático 3
		077 ⇔ 098	Programa automático 4
		099 ⇔ 120	Programa automático 5 (Programa 1–4)
		121 ⇔ 142	Programa automático 6
		143 ⇔ 164	Programa automático 7
		165 ⇔ 186	Programa automático 8
		187 ⇔ 208	Programa automático 9
		209 ⇔ 230	Programa automático 10
231 ⇔ 255	Programa automático 11 (Programa 6–10)		
10	Velocidad de programa	000 ⇔ 255	Velocidad, lenta a rápida
11	Velocidad atenuador	000 ⇔ 051	Ajuste de la velocidad del atenuador desde la pantalla
		052 ⇔ 101	Modo velocidad del atenuador desactivado
		102 ⇔ 152	Velocidad de atenuador 1 (rápida)
		153 ⇔ 203	Velocidad de atenuador 2
		204 ⇔ 255	Velocidad de atenuador 3 (lenta)

7Ch

Canal	Función	Valor	Porcentaje/Configuración
1	Atenuador	000 ⇔ 255	0–100%
2	Atenuador fino	000 ⇔ 255	0–100%
3	Rojo	000 ⇔ 255	0–100%
4	Verde	000 ⇔ 255	0–100%
5	Azul	000 ⇔ 255	0–100%
6	Blanco	000 ⇔ 255	0–100%
7	Estroboscopio	000 ⇔ 010	Sin función
		011 ⇔ 255	Estroboscopio, lento a rápido

4Ch

Canal	Función	Valor	Porcentaje/Configuración
1	Rojo	000 ⇔ 255	0–100%
2	Verde	000 ⇔ 255	0–100%
3	Azul	000 ⇔ 255	0–100%
4	Blanco	000 ⇔ 255	0–100%

À Propos de ce Manuel

Le Manuel de Référence (MdR) COLORado Panel Q40 reprend des informations de base sur ce produit notamment en matière de connexions, montage, options de menu et valeurs DMX. Téléchargez le manuel d'utilisation sur www.chauvetprofessional.com pour de plus amples informations.

Clause de Non-Responsabilité

Les informations et caractéristiques contenues dans ce manuel sont sujettes à changement sans préavis.

GARANTIE LIMITÉE

VEUILLEZ VISITER NOTRE SITE INTERNET POUR CONSULTER LES MODALITÉS D'ENREGISTREMENT DE LA GARANTIE ET LES CONDITIONS GÉNÉRALES COMPLÈTES.

Pour les clients aux États-Unis et au Mexique: www.chauvetlighting.com/warranty-registration.

Pour les clients du Royaume-Uni, de la République d'Irlande, de la Belgique, des Pays-Bas, du Luxembourg, de la France et de l'Allemagne: www.chauvetlighting.eu/warranty-registration.

Chauvet garantit que cet appareil est exempt de défauts de matériaux et de fabrication dans des conditions normales d'utilisation, pendant la période spécifiée dans la garantie limitée complète consultable sur notre site Internet et sous réserve des exclusions et limitations qui y sont énoncées. Cette garantie ne s'applique qu'à l'acheteur initial du produit et n'est pas transférable. Pour exercer les droits prévus par cette garantie, vous devez fournir une preuve d'achat sous la forme d'un reçu de vente original d'un revendeur autorisé qui indique le nom du produit et la date d'achat. IL N'EXISTE AUCUNE AUTRE GARANTIE EXPRESSE OU IMPLICITE. Cette garantie vous confère des droits légaux spécifique. Vous pouvez également bénéficier d'autres droits qui varient selon les états et les pays. Cette garantie n'est valable qu'aux États-Unis, au Royaume-Uni, en République d'Irlande, en Belgique, aux Pays-Bas, au Luxembourg, en France, en Allemagne et au Mexique. Pour connaître les conditions de garantie dans d'autres pays, veuillez consulter votre revendeur local.

Consignes de Sécurité

Ces consignes de sécurité contiennent des informations importantes en matière d'installation, d'utilisation et d'entretien.

- N'ouvrez PAS ce produit. Il ne contient aucun composant susceptible d'être réparé par l'utilisateur.
- Ne regardez PAS la source lumineuse lorsque le produit fonctionne.
- Durant les périodes de non-utilisation, pour éviter tout usure inutile et pour prolonger la durée de vie, déconnectez-entièrement l'appareil en le débranchant de l'alimentation électrique ou en coupant le disjoncteur.
- ATTENTION: Lorsque l'appareil est transféré d'un environnement à température extrême à un autre (par exemple d'un camion froid vers une salle de bal chaude et humide), de la condensation peut se former sur les composants électriques internes. Pour éviter de causer des dommages, laissez l'appareil s'acclimater entièrement au milieu environnant avant de le mettre sous tension.
- ATTENTION: le boîtier de ce produit est brûlant lors du fonctionnement.
- Montez toujours ce produit dans un endroit bien ventilé, à au moins, 20 pouces (50 cm) des surfaces adjacentes.
- Ne laissez AUCUNE source inflammable dans un rayon de 50 cm du produit lorsque celui-ci fonctionne.
- Utilisez TOUJOURS un câble de sécurité lorsque vous montez ce produit en hauteur.
- N'immergez PAS ce produit (IP 65). Un usage normal en extérieur est autorisé.
- N'utilisez PAS ce produit si le boîtier, les lentilles ou les câbles vous semblent endommagés.
- Ne connectez PAS ce produit ni à un gradateur ni à un rhéostat.
- Connectez UNIQUEMENT ce produit à un circuit protégé et relié à la terre.
- Transportez/Suspendez ce produit UNIQUEMENT au moyen de la poignée ou lyre de suspension dont il est doté.
- En cas de sérieux problèmes de fonctionnement, arrêtez le système immédiatement.
- La température ambiante maximale supportée par ce produit est de 113 °F (45 °C). Ne le faites pas fonctionner à des températures plus élevées.
- La température de démarrage minimale est de -20°C (-4°F). Ne pas démarrer l'appareil à des températures plus basses.
- La température ambiante minimale est de -30°C (-22°F). Ne pas utiliser l'appareil à des températures plus basses.

Avertissement à l'exposition aux fréquences radio pour l'Amérique du Nord et l'Australie

Attention ! Cet équipement est conforme aux limites de la FCC d'exposition aux radiations définies pour un environnement non contrôlé. Cet équipement doit être installé et utilisé à une distance minimale de 20 cm entre le radiateur et votre corps. Cet émetteur ne doit pas être installé ou fonctionner conjointement avec une autre antenne ou un autre émetteur.

Contact

En dehors des États-Unis, du Royaume-Uni et de l'Irlande, du Benelux, de la France, de l'Allemagne, ou du Mexique contactez votre fournisseur si vous avez besoin d'assistance ou de retourner votre produit. Consultez le site www.chauvetprofessional.com pour trouver nos coordonnées.

Ce qui est Inclus

- COLORado Panel Q40
- Un cordon d'alimentation Seetronic Powerkon IP65
- Lentille de filtre de mélange du couleurs
- Fixations Omega avec matériel de montage
- Un Manuel de Référence

Alimentation CA

Ce produit est doté d'une alimentation universelle prenant en charge toute tension d'entrée comprise entre 100 et 240 VCA, 50/60 Hz.

Connexion Électrique

Vous pouvez connecter jusqu'à 2 COLORado Panel Q40 à 120 V, 4 unités à 208 V ou 5 unités à 230 V. Vous pouvez vous procurer séparément des cordons d'alimentation.

Prise CA

Connexion	Câble (États-Unis)	Câble (Europe)	Couleur de la Vis
Conducteur CA	Noir	Marron	Jaune/Cuivré
Neutre CA	Blanc	Bleu	Argenté
Terre CA	Vert/Jaune	Vert/Jaune	Vert



Durant les périodes de non-utilisation, pour éviter toute usure inutile et pour prolonger la durée de vie, déconnectez-entièrement l'appareil en le débranchant de l'alimentation électrique ou en coupant le disjoncteur.

Raccordement DMX

Le COLORado Panel Q40 fonctionnera avec un jeu d'orgues DMX au moyen de connexions DMX en série standard ou au moyen de connexions DMX sans fil. Une introduction au DMX est à votre disposition sur www.chauvetprofessional.com.

Connexion DMX

Le COLORado Panel Q40 utilise une connexion de données DMX standard ou sans fil pour ses personnalités DMX: **4Ch, 7Ch, 11Ch, 16Ch et 23Ch**. Consultez le manuel d'utilisation pour connecter et configurer le système DMX.

Connexion Maître/Esclave

Le COLORado Panel Q40 utilise une connexion de données DMX pour son mode Maître/Esclave. Consultez le Manuel d'Utilisation pour connecter et configurer le mode de fonctionnement Maître/Esclave.

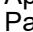
Fonctionnement sans fil

Dans des conditions optimales, le COLORado Panel Q40 peut fonctionner jusqu'à une distance de 300 m (900 ft) de l'émetteur W-DMX. Le récepteur W-DMX de le COLORado Panel Q40 doit être couplé avec l'émetteur W-DMX pour un fonctionnement sans fil.

Configuration initiale

1. Allumez l'émetteur W-DMX.
2. Connectez l'émetteur W-DMX au contrôleur DMX.
3. Placez le COLORado Panel Q40 à moins de 300 m de l'émetteur W-DMX.
4. Débranchez tous les câbles DMX branchés sur le COLORado Panel Q40.
5. Allumez le COLORado Panel Q40.

Configuration

1. A partir du panneau de commande du COLORado Panel Q40 allez sur le menu **DMX Address**.
2. Sélectionnez l'adresse de départ comme avec tout autre appareil compatible DMX.
3. Allez sur le menu **Wireless Setting > Receive On/Off**.
4. Sélectionnez **On**. (L'indicateur d'intensité du signal affiche un ? devant les barres.)
5. Appuyez sur le bouton de réinitialisation de l'émetteur W-DMX. (L'indicateur d'intensité du signal du COLORado Panel Q40 affiche un sigle  devant les barres pendant 3 secondes pendant l'établissement de la connexion.)

Appairage de l'appareil

Si le COLORado Panel Q40 a déjà été appairé avec l'émetteur W-DMX, l'indicateur d'intensité du signal situé au milieu de l'écran OLED affiche la force du signal. Dans ce cas, le COLORado Panel Q40 est prêt à fonctionner en mode sans fil.

1. A partir du panneau de commande du COLORado Panel Q40, allez au menu **Wireless Setting**.
2. Sélectionnez **Receive Reset**. L'indicateur d'intensité du signal du COLORado Panel Q40 affiche un ? devant les barres.
3. Sur l'émetteur W-DMX, appuyez sur **<RESET>** (l'indicateur de signal de l'émetteur clignote).
4. Lorsque l'émetteur a trouvé le COLORado Panel Q40, l'indicateur de signal de l'émetteur W-DMX reste allumé.
5. L'indicateur d'intensité du signal situé au milieu de l'écran OLED sur le COLORado Panel Q40 affiche alors la force du signal.



Le fonctionnement W-DMX peut être interrompu ou inhibé par des masses de liquides entre l'émetteur et le récepteur, comme par exemple de l'eau, de la neige ou des personnes. Pour de meilleurs résultats, assurez-vous que la zone située entre l'émetteur et le récepteur soit exempte de toute masse liquide.

RDM (Gestion des périphériques à distance)

Le protocole RDM (gestion des périphériques à distance) est un standard pour la communication bidirectionnelle des appareils dotés de fonctions DMX dans un câblage DMX existant. Le COLORado Panel Q40 supporte le protocole RDM permettant un retour d'information pour la surveillance de la température et des changements des options de menu **DMX Address, DMX Channel, Dimmer Mode et LED Frequency**. Veuillez télécharger le manuel de l'utilisateur à partir du site internet www.chauvetprofessional.com pour plus de détails.

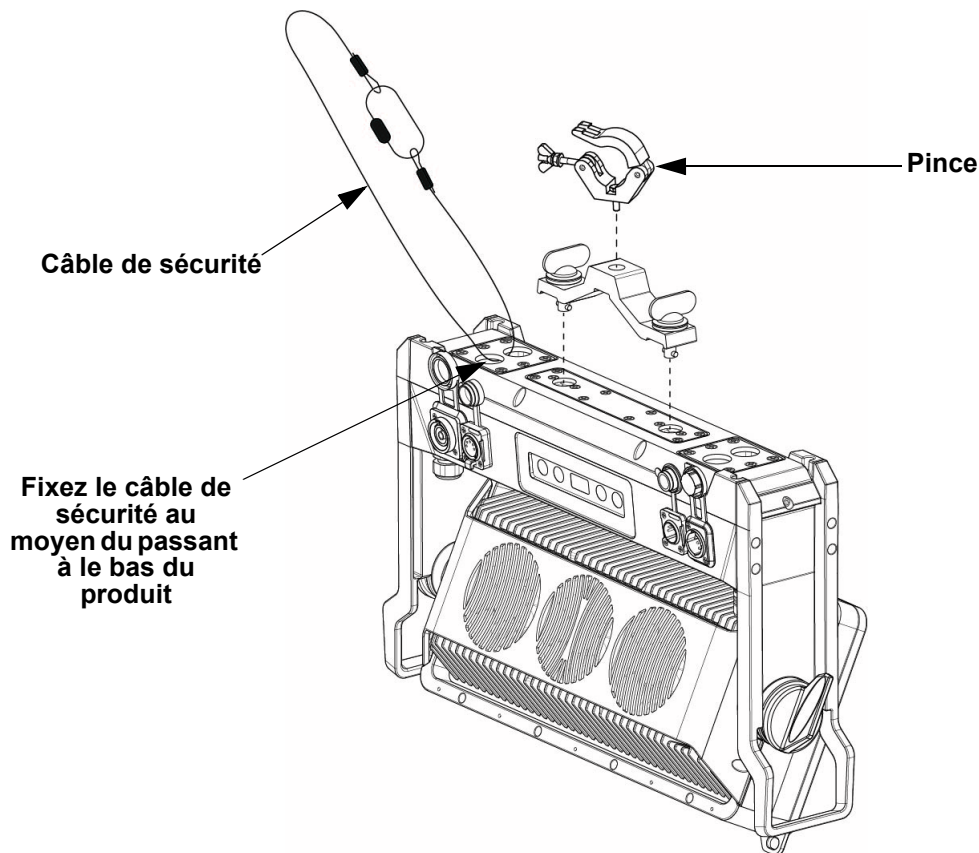
Lentille de filtre de mélange des couleurs

La lentille de filtre de mélange des couleurs produit une lumière parfaitement uniforme et douce sur les bords. La lentille de filtre de mélange des couleurs se fixe très facilement grâce aux aimants intégrés.

Installation

Avant de monter cet appareil, lisez et assimilez les [Consignes de Sécurité](#). Utilisez au moins un point de fixation par appareil. Veillez à ce que les fixations sont capables de supporter le poids de l'unité. Découvrez notre gamme de fixations Chauvet sur <http://trusst.com/products>.

Schéma de Montage de l'appareil



Description du Tableau de Commandes

Bouton	Fonction
<MENU>	Permet la sortie du menu ou de la fonction en cours
<ENTER>	Permet l'affichage du menu en cours ou permet de configurer la valeur en cours dans la fonction sélectionnée
<UP>	Permet de parcourir les listes de menu vers le haut, dans une fonction permet d'augmenter les valeurs numériques
<DOWN>	Permet de parcourir les listes de menu vers le bas, dans une fonction permet de diminuer les valeurs numériques

Affichage à piles

Appuyez sur la touche et maintenez-la enfoncée jusqu'à ce que l'écran du menu apparaisse (environ 15 secondes).

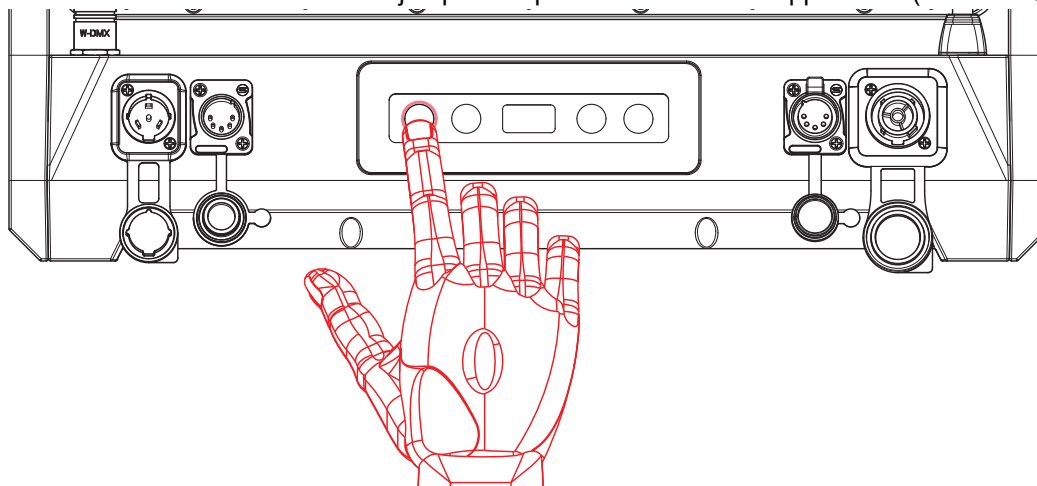


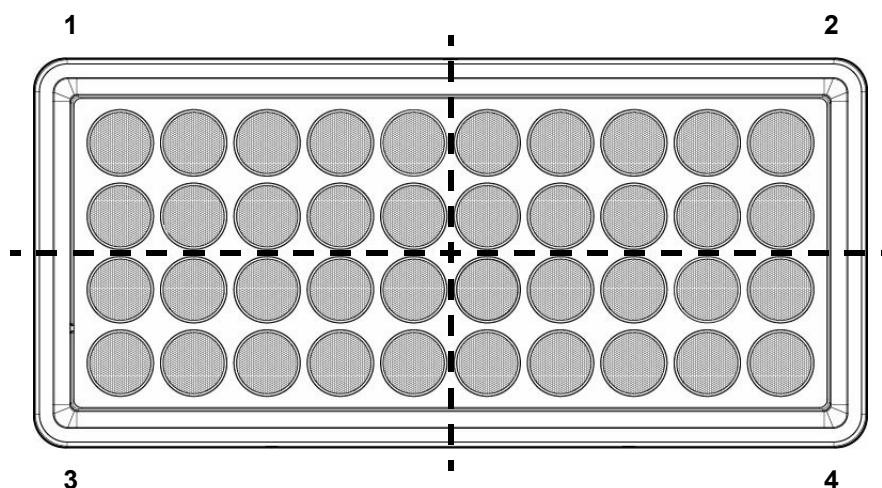
Tableau de Menu

Niveau Principal	Niveaux de Programmation		Description
DMX Address	001–509		Permet de sélectionner l'adresse de démarrage (le canal le plus élevé est restreint à la personnalité choisie)
DMX Channel	4Ch		4-canaux: RGBW
	7Ch		7-canaux: Gradation 16-bit, RGBW, stroboscope
	11Ch		11-canaux: Gradation 16-bit, RGBW, stroboscope, macro de couleur, programmes, vitesse, mode gradation
	16Ch		16-canaux: RGBW à 4 zones
	23Ch		23-canaux: Gradation 16-bit, RGBW à 4 zones, stroboscope, macro de couleur, programmes, vitesse, mode gradation
Static	Fixed Color	R	Rouge
		G	Vert
		B	Bleu
		W	Blanc
		GB	Vert et bleu
		RB	Rouge et bleu
		RG	Rouge et vert
		RGB	Rouge, vert et bleu
		RW	Rouge et blanc
		GW	Vert et blanc
		BW	Bleu et blanc
		RGW	Rouge, vert et blanc
		RBW	Rouge, bleu et blanc
	GBW	Vert, bleu et blanc	
	RGBW	Rouge, vert, bleu et blanc	
Manual Color Mixer	Red	0–255	Combine les couleurs rouge, vert, bleu et blanc pour un résultat personnalisé (0–100%)
	Green		
	Blue		
	White		
Auto Show	Auto 1–11	1–100	Sélectionne les programmes automatiques et vitesse
Master/Slave	Master		Mode DMX (Maître)
	Slave		Mode esclave
Dimmer Mode	Off		Gradateur linéaire
	Dimmer 1–3		Courbes de gradation rapide (Dimmer 1) à lent (Dimmer 3)
White Balance	Manual	Off	Utilise le paramétrage de blanc défini en usine
		Red	Définit la valeur maximale de LED rouge
		Green	Définit la valeur maximale de LED verte
		Blue	Définit la valeur maximale de LED bleue
	Legacy	White	Définit la valeur maximale de LED blanche
On Off		Correspond à la sortie des modèles COLORado Panel Q40 précédents	
LED Frequency	600Hz		Permet de sélectionner la fréquence de sortie MLI
	1200Hz		
	2000Hz		
	4000Hz		
	6000Hz		
	25KHz		
Fan Mode	Auto		Réglez le ventilateur en mode automatique
	On		Réglez le mode de ventilateur toujours
Wireless Setting	Receive On/Off	On	Permet d'activer/désactiver la fonction DMX sans fil
		Off	
	Receive Reset	No	Permet de réinitialiser le paramétrage sans fil
		Yes	

Niveau Principal	Niveaux de Programmation		Description
Back Light	On		Affichage rétro-éclairage toujours active
	10S		Désactive l'affichage rétro-éclairage après 10 secondes d'inactivité
	20S		Désactive l'affichage rétro-éclairage après 20 secondes d'inactivité
	30S		Désactive l'affichage rétro-éclairage après 30 secondes d'inactivité
Key Lock	On		Verrouillage de l'affichage (le mot de passe et <UP>, <DOWN>, <UP>, <DOWN>, <ENTER>)
	Off		
Information	Fixture Hours	<_ _ _ _ H>	Affiche le nombre total des heures du produit
	Version	<V _ _ >	Affiche la version du logiciel installée
	UID	<_ _ _ _ _ >	Affiche UID actuel
	Battery	_ _ _ %	Affiche la durée de vie restante de la batterie
Reset Factory	No		Permet de réinitialiser aux valeurs par défaut d'usine
	Yes		

Valeurs DMX

Zones pour le contrôle DMX



23Ch

Canal	Fonction	Valeur	Pourcentage/Configuration
1	Gradateur	000 ⇔ 255	0-100%
2	Gradateur fin	000 ⇔ 255	0-100%
3	Rouge 1	000 ⇔ 255	0-100%
4	Vert 1	000 ⇔ 255	0-100%
5	Bleu 1	000 ⇔ 255	0-100%
6	Blanc 1	000 ⇔ 255	0-100%
7	Rouge 2	000 ⇔ 255	0-100%
8	Vert 2	000 ⇔ 255	0-100%
9	Bleu 2	000 ⇔ 255	0-100%
10	Blanc 2	000 ⇔ 255	0-100%
11	Rouge 3	000 ⇔ 255	0-100%
12	Vert 3	000 ⇔ 255	0-100%
13	Bleu 3	000 ⇔ 255	0-100%
14	Blanc 3	000 ⇔ 255	0-100%
15	Rouge 4	000 ⇔ 255	0-100%
16	Vert 4	000 ⇔ 255	0-100%
17	Bleu 4	000 ⇔ 255	0-100%
18	Blanc 4	000 ⇔ 255	0-100%

Canal	Fonction	Valeur	Pourcentage/Configuration
19	Stroboscope	000 ⇔ 010	Pas de fonction
		011 ⇔ 255	Stroboscope, lent à rapide
20	Macros de couleurs	000 ⇔ 010	Pas de fonction
		011 ⇔ 030	R: 100% G: 0–100% B: 0%
		031 ⇔ 050	R: 100–0% G: 100% B: 0%
		051 ⇔ 070	R: 0% G: 100% B: 0–100%
		071 ⇔ 090	R: 0% G: 100–0% B: 100%
		091 ⇔ 110	R: 0–100% G: 0% B: 100%
		111 ⇔ 130	R: 100% G: 0% B: 100–0%
		131 ⇔ 150	R: 100% G: 0–100% B: 0–100%
		151 ⇔ 170	R: 100% G: 100–0% B: 100%
		171 ⇔ 200	R: 100% G: 100% B: 100%
		201 ⇔ 205	Température de couleur 1
		206 ⇔ 210	Température de couleur 2
		211 ⇔ 215	Température de couleur 3
		216 ⇔ 220	Température de couleur 4
		221 ⇔ 225	Température de couleur 5
		226 ⇔ 230	Température de couleur 6
		231 ⇔ 235	Température de couleur 7
236 ⇔ 240	Température de couleur 8		
241 ⇔ 245	Température de couleur 9		
246 ⇔ 250	Température de couleur 10		
251 ⇔ 255	Température de couleur 11		
21	Programmes automatiques	000 ⇔ 010	Pas de fonction
		011 ⇔ 032	Programme automatique 1
		033 ⇔ 054	Programme automatique 2
		055 ⇔ 076	Programme automatique 3
		077 ⇔ 098	Programme automatique 4
		099 ⇔ 120	Programme automatique 5 (Programme 1–4)
		121 ⇔ 142	Programme automatique 6
		143 ⇔ 164	Programme automatique 7
		165 ⇔ 186	Programme automatique 8
		187 ⇔ 208	Programme automatique 9
		209 ⇔ 230	Programme automatique 10
231 ⇔ 255	Programme automatique 11 (Programme 6–10)		
22	Vitesse du programme	000 ⇔ 255	Vitesse du programme, lente à rapide
23	Mode de gradation	000 ⇔ 051	Préréglage de vitesse d'assombrissement à partir du menu affichage
		052 ⇔ 101	Arrêt du mode de vitesse d'assombrissement
		102 ⇔ 152	Mode 1 de vitesse d'assombrissement (rapide)
		153 ⇔ 203	Mode 2 de vitesse d'assombrissement
		204 ⇔ 255	Mode 3 de vitesse d'assombrissement (lente)

FR

16Ch

Canal	Fonction	Valeur	Pourcentage/Configuration
1	Rouge 1	000 ⇔ 255	0–100%
2	Vert 1	000 ⇔ 255	0–100%
3	Bleu 1	000 ⇔ 255	0–100%
4	Blanc 1	000 ⇔ 255	0–100%
5	Rouge 2	000 ⇔ 255	0–100%
6	Vert 2	000 ⇔ 255	0–100%
7	Bleu 2	000 ⇔ 255	0–100%
8	Blanc 2	000 ⇔ 255	0–100%
9	Rouge 3	000 ⇔ 255	0–100%
10	Vert 3	000 ⇔ 255	0–100%
11	Bleu 3	000 ⇔ 255	0–100%
12	Blanc 3	000 ⇔ 255	0–100%
13	Rouge 4	000 ⇔ 255	0–100%
14	Vert 4	000 ⇔ 255	0–100%
15	Bleu 4	000 ⇔ 255	0–100%
16	Blanc 4	000 ⇔ 255	0–100%

11Ch

Canal	Fonction	Valeur	Pourcentage/Configuration
1	Gradateur	000 ⇔ 255	0–100%
2	Gradateur fin	000 ⇔ 255	0–100%
3	Rouge	000 ⇔ 255	0–100%
4	Vert	000 ⇔ 255	0–100%
5	Bleu	000 ⇔ 255	0–100%
6	Blanc	000 ⇔ 255	0–100%
7	Stroboscope	000 ⇔ 010 011 ⇔ 255	Pas de fonction Stroboscope, lent à rapide
8	Macros de couleurs	000 ⇔ 010	Pas de fonction
		011 ⇔ 030	R: 100% G: 0–100% B: 0%
		031 ⇔ 050	R: 100–0% G: 100% B: 0%
		051 ⇔ 070	R: 0% G: 100% B: 0–100%
		071 ⇔ 090	R: 0% G: 100–0% B: 100%
		091 ⇔ 110	R: 0–100% G: 0% B: 100%
		111 ⇔ 130	R: 100% G: 0% B: 100–0%
		131 ⇔ 150	R: 100% G: 0–100% B: 0–100%
		151 ⇔ 170	R: 100% G: 100–0% B: 100%
		171 ⇔ 200	R: 100% G: 100% B: 100%
		201 ⇔ 205	Température de couleur 1
		206 ⇔ 210	Température de couleur 2
		211 ⇔ 215	Température de couleur 3
		216 ⇔ 220	Température de couleur 4
221 ⇔ 225	Température de couleur 5		
226 ⇔ 230	Température de couleur 6		
231 ⇔ 235	Température de couleur 7		
236 ⇔ 240	Température de couleur 8		
241 ⇔ 245	Température de couleur 9		
246 ⇔ 250	Température de couleur 10		
251 ⇔ 255	Température de couleur 11		

Canal	Fonction	Valeur	Pourcentage/Configuration
9	Programmes automatiques	000 ⇔ 010	Pas de fonction
		011 ⇔ 032	Programme automatique 1
		033 ⇔ 054	Programme automatique 2
		055 ⇔ 076	Programme automatique 3
		077 ⇔ 098	Programme automatique 4
		099 ⇔ 120	Programme automatique 5 (Programme 1–4)
		121 ⇔ 142	Programme automatique 6
		143 ⇔ 164	Programme automatique 7
		165 ⇔ 186	Programme automatique 8
		187 ⇔ 208	Programme automatique 9
		209 ⇔ 230	Programme automatique 10
10	Vitesse du programme	231 ⇔ 255	Programme automatique 11 (Programme 6–10)
		000 ⇔ 255	Vitesse du programme, lente à rapide
11	Mode de gradation	000 ⇔ 051	Préréglage de vitesse d'assombrissement à partir du menu affichage
		052 ⇔ 101	Arrêt du mode de vitesse d'assombrissement
		102 ⇔ 152	Mode 1 de vitesse d'assombrissement (rapide)
		153 ⇔ 203	Mode 2 de vitesse d'assombrissement
		204 ⇔ 255	Mode 3 de vitesse d'assombrissement (lente)

7Ch

Canal	Fonction	Valeur	Pourcentage/Configuration
1	Gradateur	000 ⇔ 255	0–100%
2	Gradateur fin	000 ⇔ 255	0–100%
3	Rouge	000 ⇔ 255	0–100%
4	Vert	000 ⇔ 255	0–100%
5	Bleu	000 ⇔ 255	0–100%
6	Blanc	000 ⇔ 255	0–100%
7	Stroboscope	000 ⇔ 010	Pas de fonction
		011 ⇔ 255	Stroboscope, lent à rapide

4Ch

Canal	Fonction	Valeur	Pourcentage/Configuration
1	Rouge	000 ⇔ 255	0–100%
2	Vert	000 ⇔ 255	0–100%
3	Bleu	000 ⇔ 255	0–100%
4	Blanc	000 ⇔ 255	0–100%

Über diese Schnellanleitung

In der Schnellanleitung des COLORado Panel Q40 finden Sie die wesentlichen Produktinformationen, wie etwa über den Anschluss, die Montage, Menüoptionen und DMX-Werte des Geräts. Laden Sie für weiterführende Informationen unter www.chauvetprofessional.com das Benutzerhandbuch herunter.

Haftungsausschluss

Die in dieser Anleitung aufgeführten Informationen und Spezifikationen können ohne vorherige Ankündigung geändert werden.

EINGESCHRÄNKTE GARANTIE

ZUR REGISTRIERUNG FÜR GARANTIEANSPRÜCHE UND ZUR EINSICHT IN DIE VOLLSTÄNDIGEN GESCHÄFTSBEDINGUNGEN BESUCHEN SIE BITTE UNSERE WEBSITE.

Für Kunden in den USA und in Mexiko: www.chauvetlighting.com/warranty-registration.

Für Kunden im Vereinigten Königreich, in Irland, Belgien, den Niederlanden, Luxemburg, Frankreich und Deutschland: www.chauvetlighting.eu/warranty-registration.

Chauvet garantiert für die in der auf unserer Website veröffentlichten vollständigen eingeschränkten Garantie genannten Dauer und unter Vorbehalt der darin genannten Haftungsausschlüsse und -beschränkungen, dass dieses Produkt bei normalen Gebrauch frei von Material- und Verarbeitungsfehlern ist. Diese Garantie erstreckt sich nur auf den Erstkäufer des Produkts und ist nicht übertragbar. Zur Ausübung der unter dieser Garantie gewährten Rechte ist der Kaufbeleg in Form der Originalrechnung von einem autorisierten Händler vorzulegen, in der die Produktbezeichnung und das Kaufdatum vermerkt sein müssen. ES BESTEHEN KEINE WEITEREN AUSDRÜCKLICHEN ODER STILLSCHWEIGENDEN GARANTIEEN. Diese Garantie gibt Ihnen besondere gesetzliche Rechte. Und Sie haben möglicherweise weitere Rechte, die von Land zu Land unterschiedlich sein können. Diese Garantie ist nur in den USA, im Vereinigten Königreich, in Irland, Belgien, den Niederlanden, Luxemburg, Frankreich, Deutschland und Mexiko gültig. Bezüglich der Garantiebestimmungen in anderen Ländern wenden Sie sich bitte an Ihren lokalen Händler.

Sicherheitshinweise

Diese Sicherheitshinweise enthalten wichtige Informationen über die Montage, Verwendung und Wartung des Geräts.

- Dieses Gerät NICHT öffnen. Die eingebauten Komponenten sind für den Kunden wartungsfrei.
- NIEMALS in die Lichtquelle schauen, während das Gerät eingeschaltet ist.
- Um unnötigen Verschleiß zu vermeiden und die Lebensdauer des Geräts zu verlängern, trennen Sie während längerer Perioden des Nichtgebrauchs das Gerät vom Stromnetz – entweder per Trennschalter oder durch Herausziehen des Steckers aus der Steckdose.
- VORSICHT: Beim Transport des Geräts von einer Umgebung mit außergewöhnlichen Temperaturen in eine andere solche Umgebung (z. B. aus einem kalten Transporter in einen warm-feuchten Ballsaal) kann an der im Gerät enthaltenen Elektronik Wasser kondensieren. Um einen Defekt zu vermeiden, muss sich das Gerät erst in der neuen Umgebung akklimatisiert haben, bevor es an die Stromversorgung angeschlossen werden kann.
- VORSICHT: Das Gehäuse dieses Produkts kann während des Betriebs heiß werden.
- Installieren Sie das Gerät an einem Ort mit ausreichender Belüftung und mit einem Abstand von mindestens 50 cm zu den angrenzenden Flächen.
- Belassen Sie KEINE entflammaren Materialien in einem Umkreis von 50 cm dieses Geräts, während es in Betrieb oder an der Stromversorgung angeschlossen ist.
- VERWENDEN Sie bei Montage über Kopf immer ein Sicherheitsseil.
- Dieses Gerät darf NICHT in Wasser eingetaucht werden (IP65). Eine regelmäßige Verwendung dieses Geräts im Freien ist möglich.
- NIEMALS das Gerät in Betrieb nehmen, wenn Ihnen das Gehäuse, die Linsen oder das Kabel beschädigt erscheinen.
- Schließen Sie dieses Gerät NICHT an einen Dimmer oder Regelwiderstand an.
- Schließen Sie dieses Produkt NUR an einen mit der Erde verbundenen und geschützten Stromkreis an.
- Das Gerät NUR an den Hänge-/Befestigungsbügeln oder Griffen tragen.
- Bei ernsthaften Betriebsproblemen stoppen Sie umgehend die Verwendung des Geräts.
- Die maximal zulässige Umgebungstemperatur beträgt 45 °C. Nehmen Sie das Gerät nicht bei höheren Temperaturen in Betrieb.
- Die zulässige Mindesttemperatur für den Start beträgt -20 °C. Starten Sie das Gerät nicht bei niedrigeren Temperaturen.
- Die minimal zulässige Umgebungstemperatur beträgt -30 °C. Nehmen Sie das Gerät nicht bei niedrigeren Temperaturen in Betrieb.

Warnung vor Exposition gegenüber HF für Nordamerika und Australien

Warnung! Dieses Gerät entspricht den FCC-Grenzwerten für Strahlenbelastung, die für eine nicht kontrollierte Umgebung festgelegt wurden. Dieses Gerät sollte so installiert und in Betrieb gesetzt werden, dass ein Mindestabstand von 20 cm zwischen dem Gerät und Ihrem Körper gewährleistet ist. Der Sender darf nicht in der Nähe anderer Antennen oder Sender aufgestellt oder in Verbindung mit anderen Antennen oder Sendern betrieben werden.

Kontakt

Kunden außerhalb der USA, GB, Irland, Benelux, Frankreich, Deutschland oder der Mexiko-Staaten wenden sich an ihren Lieferanten, um den Kundensupport in Anspruch zu nehmen oder ein Produkt zurückzuschicken.

Kontaktinformationen finden Sie unter www.chauvetprofessional.com.

Packungsinhalt

- COLORado Panel Q40
- Seetronic Powerkon IP65-Stromkabel
- Filterlinse zur Farbmischung
- Omega-Hängebügel mit Befestigungsmaterial
- Schnellanleitung

Wechselstrom

Dieses Gerät verfügt über ein Vorschaltgerät, das automatisch die anliegende Spannung erkennt und kann mit einer Eingangsspannung von 100~240 V AC, 50/60 Hz arbeiten.

Serienschaltung der Geräte

Sie können bis zu 2 COLORado Panel Q40-Geräte bei 120 V AC, 4 Geräte bei 208 V AC, oder 5 Geräte bei 230 V AC in Serie schalten. Diese Anzahl niemals überschreiten! Stromkabel für die Serienschaltung können separat erworben werden.

Wechselstromstecker

Anschluss	Draht (USA)	Draht (Europa)	Schraubenfarbe
Stromführender AC-Leiter	Schwarz	Braun	Gelb/Messingfarben
AC-Neutralleiter	Weiß	Blau	Silber
AC-Erdungsleiter	Grün/Gelb	Grün/Gelb	Grün



Um unnötigen Verschleiß zu vermeiden und die Lebensdauer des Geräts zu verlängern, trennen Sie während längerer Perioden des Nichtgebrauchs das Gerät vom Stromnetz – entweder per Trennschalter oder durch Herausziehen des Steckers aus der Steckdose.

DMX-Verbindung

Der COLORado Panel Q40 kann mit einem DMX-Controller betrieben werden, wenn eine 5-polige DMX-Datenverbindung oder eine drahtlose DMX-Verbindung zum Einsatz kommt. Sie können sich eine Einführung in DMX unter www.chauvetprofessional.com herunterladen.

DMX-Anschluss

Der COLORado Panel Q40 nutzt zur Steuerung seiner DMX-Eigenschaften eine drahtlose DMX-Verbindung oder eine 5-polige DMX-Datenverbindung: **4Ch**, **7Ch**, **11Ch**, **16Ch** und **23Ch**. Informationen zum Anschließen und Konfigurieren des Geräts für einen DMX-Betrieb finden Sie in der Bedienungsanleitung.

Master/Slave-Schaltung

Der COLORado Panel Q40 verwendet für seinen Master/Slave-Modus eine DMX-Datenverbindung. Informationen zum Anschließen und Konfigurieren des Geräts für einen Master/Slave-Betrieb finden Sie in der Bedienungsanleitung.

Drahtloser Betrieb

Unter optimalen Bedingungen kann der COLORado Panel Q40 in einer Entfernung von bis zu 300 m vom drahtlosen DMX-Sender betrieben werden. Der drahtlose DMX-Empfänger des COLORado Panel Q40 muss mit dem drahtlosen DMX-Sender für den Drahtlos-Betrieb gekoppelt werden.

Ersteinrichtung

1. Schalten Sie den drahtlosen DMX-Sender ein.
2. Schließen Sie den drahtlosen DMX-Sender an einen DMX-Controller an.
3. Platzieren Sie den COLORado Panel Q40 in einer Entfernung von maximal 300 m zum drahtlosen DMX-Sender.
4. Schalten Sie den COLORado Panel Q40 ein.

Konfiguration

1. Rufen Sie auf dem Bedienfeld des COLORado Panel Q40 **DMX Address** auf.
2. Wählen Sie wie bei jedem anderen DMX-kompatiblen Gerät die Startadresse aus.
3. Wählen Sie **Wireless Setting > Receive On/Off**.
4. Wählen Sie **On**. (Die Signalstärkeanzeige zeigt ein ? vor den Balken an.)
5. Drücken Sie auf die Reset-Taste auf dem drahtlosen DMX-Sender.
(Die Signalstärkeanzeige auf dem COLORado Panel Q40 zeigt für 3 Sekunden, während eine Verbindung hergestellt wird, ein 4 in vor den Balken an.)

Geräte-Pairing

Wurde der COLORado Panel Q40 bereits mit dem drahtlosen DMX-Sender gekoppelt, zeigt die Signalstärkeanzeige in der Mitte des OLED-Bildschirms die Stärke des Signals an. In diesem Fall ist der COLORado Panel Q40 bereit für einen Betrieb im Drahtlos-Modus.

Koppeln des COLORado Panel Q40 mit dem neuen drahtlosen DMX-Sender

1. Rufen Sie auf dem Bedienfeld des COLORado Panel Q40 **Wireless Setting > Receive Reset** auf.
2. Wählen Sie **Yes**. Die Signalstärkeanzeige auf dem COLORado Panel Q40 zeigt ein ? vor den Balken an.
3. Drücken Sie auf dem drahtlosen DMX-Sender auf **<RESET>** (Die Signalanzeige auf dem Sender blinkt).
4. Sobald der Sender den COLORado Panel Q40, gefunden hat, leuchtet die Signalanzeige auf dem drahtlosen DMX-Sender dauerhaft.
5. Die Signalstärkeanzeige in der Mitte des OLED-Bildschirms des COLORado Panel Q40 zeigt die Stärke des Signals an.



Ein drahtloser DMX-Betrieb kann durch Flüssigkeiten o. Ä. zwischen Sender und Empfänger, wie etwa Wasser, Schnee oder Menschen, unterbrochen oder behindert werden. Für beste Ergebnisse sollte daher der Bereich zwischen Sender und Empfänger von Flüssigkeiten o. Ä. freigehalten werden.

RDM (Remote Device Management)

Remote Device Management bzw. RDM ist ein Standard, mit dem DMX-aktivierte Geräte bidirektional entlang bestehender DMX-Kabel kommunizieren können. Der COLORado Panel Q40 unterstützt das RDM-Protokoll, über das Feedback zur Überwachung der Temperatur und zu Änderungen der Menüoptionen **DMX Address**, **DMX Channel**, **Dimmer Mode** und **LED Frequency** gegeben wird. Laden Sie für weiterführende Informationen unter www.chauvetprofessional.com das Benutzerhandbuch herunter.

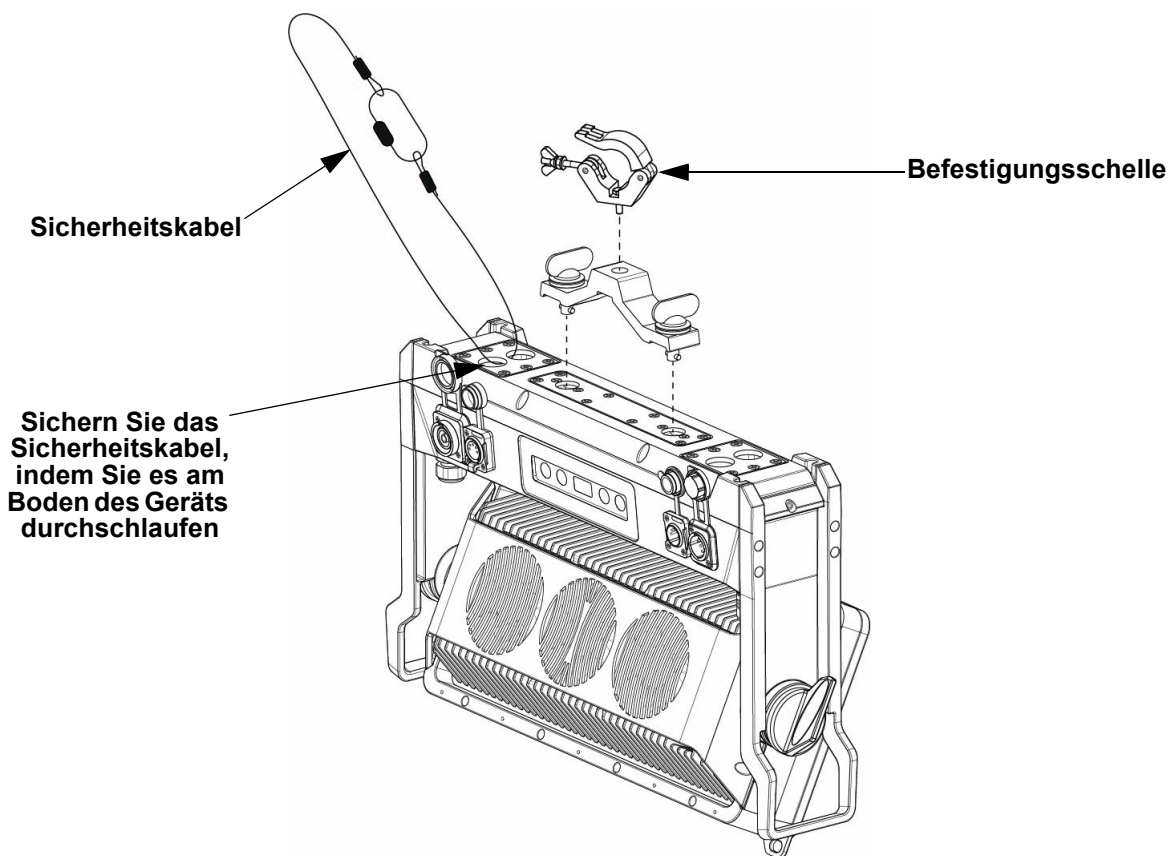
Filterlinse zur Farbmischung

Die Filterlinse zur Farbmischung erzeugt ein sehr gleichmäßiges Licht, das an den Kanten weich abfällt. Befestigen Sie die Filterlinse zur Farbmischung einfach mit den eingebauten Magneten.

Montage

Lesen Sie vor der Montage dieses Gerats die [Sicherheitshinweise](#) durch. Mindestens einen Befestigungspunkt pro Gerat verwenden. Stellen Sie sicher, dass die Befestigungsklemmen dafur ausgelegt sind, das Produktgewicht tragen zu konnen. Informationen zu unserer CHAUVET-Produktlinie fur Befestigungsklemmen finden Sie unter <http://trusst.com/products>.

Montageansicht

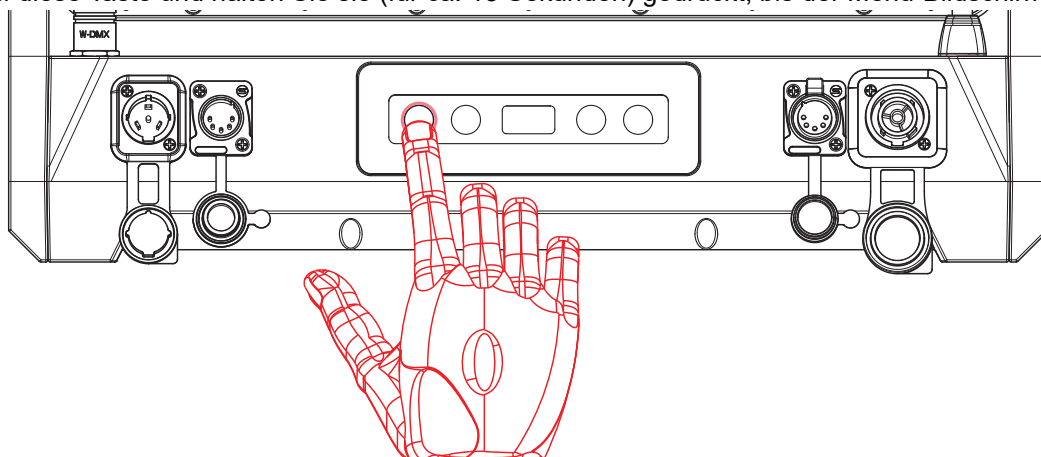


Beschreibung des Bedienfeldes

Taste	Funktion
<MENU>	Damit verlassen Sie das aktuelle Menu oder die Funktion
<ENTER>	Damit wird das aktuell angezeigte Menu aktiviert oder der aktuell ausgewahlte Wert einer Funktion eingestellt
<UP>	Damit navigieren Sie sich durch die Menupunkte nach oben und erhohen den numerischen Wert der entsprechenden Funktion
<DOWN>	Damit navigieren Sie sich durch die Menupunkte nach unten und verringern den numerischen Wert der entsprechenden Funktion

Batteriebetriebene Anzeige

Drucken Sie auf diese Taste und halten Sie sie (fur ca. 15 Sekunden) gedruckt, bis der Menu-Bildschirm erscheint.



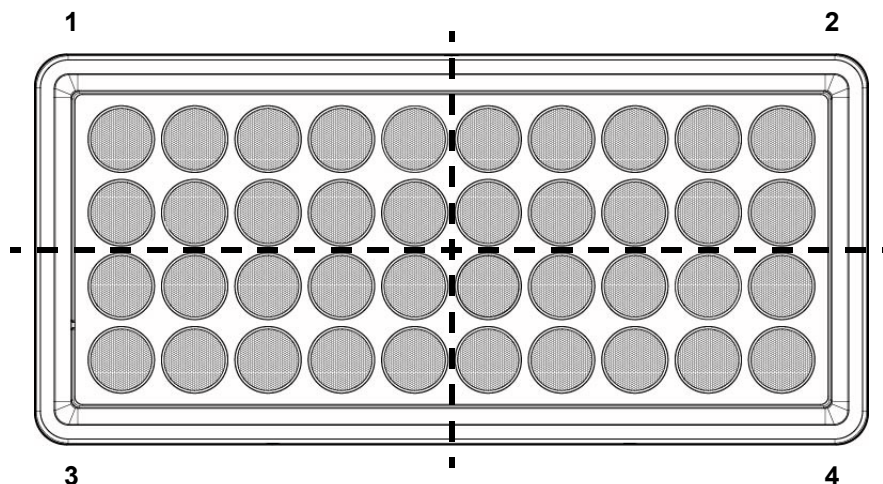
Menüstruktur

Hauptebene	Programmirebenen		Beschreibung	
DMX Address	001–509		Wählt die DMX-Adresse aus (der höchste Kanal ist auf die gewählte Eigenschaft beschränkt)	
DMX Channel	4Ch		4-Kanal: RGBW	
	7Ch		7-Kanal: 16-Bit-Dimmer, RGBW, Stroboskopeffekt	
	11Ch		11-Kanal: 16-Bit-Dimmer, RGBW, Stroboskopeffekt, Farbmakro, Auto-Programm, Auto-Geschwindigkeit, Dimmer-Geschwindigkeit	
	16Ch		16-Kanal: 4-Zonen-RGBW	
	23Ch		23-Kanal: 16-Bit-Dimmer, 4-Zonen-RGBW, Stroboskopeffekt, Farbmakro, Auto-Programm, Auto-Geschwindigkeit, Dimmer-Geschwindigkeit	
Static	Fixed Color	R	Rot	
		G	Grün	
		B	Blau	
		W	Weiß	
		GB	Grün und Blau	
		RB	Rot und Blau	
		RG	Rot und Grün	
		RGB	Rot, Grün und Blau	
		RW	Rot und Weiß	
		GW	Grün und Weiß	
		BW	Blau und Weiß	
		RGW	Rot, Grün und Weiß	
		RBW	Rot, Blau und Weiß	
		GBW	Grün, Blau und Weiß	
	RGBW	Rot, Grün, Blau und Weiß		
Manual Color Mixer	Red	0–255	Kombiniert rote, grüne, blaue und weiße Farben zu einer benutzerdefinierten Farbe	
	Green			
	Blue			
	White			
Auto Show	Auto 1–11	1–100	Wählt das Auto-Programm und die Programm-Geschwindigkeit aus	
Master/Slave	Master		DMX-Modus (Master)	
	Slave		Slave-Modus	
Dimmer Mode	Off		Linearer Dimmer	
	Dimmer 1–3		Dimmungskurven Dimmer 1 (schnell) nach Dimmer 3 (langsam)	
White Balance	Off		Verwendet die werksseitig voreingestellte Standardeinstellung "Weiß"	
	Manual	Red	125–255	Stellt den maximalen Wert der roten LED ein
		Green		Stellt den maximalen Wert der grünen LED ein
		Blue		Stellt den maximalen Wert der blauen LED ein
		White		Stellt den maximalen Wert der weißen LED ein
Legacy	On	Stimmt mit dem Ausgang der früheren COLORado Panel Q40-Modelle überein		
		Off		
LED Frequency	600Hz		Stellt die PWM-Frequenz ein	
	1200Hz			
	2000Hz			
	4000Hz			
	6000Hz			
	25KHz			
Fan Mode	Auto		Stellt den Lüfter auf den Auto-Modus ein	
	On		Stellt den Lüfter auf den "immer eingeschaltet"-Modus ein	
Wireless Setting	Receive On/Off	On	Damit aktivieren/deaktivieren Sie drahtloses DMX	
		Off		
	Receive Reset	No	Damit stellen Sie den Drahtlos-Empfänger zurück	
	Yes			

Hauptebene	Programmirebenen	Beschreibung
Back Light	On	Hintergrundbeleuchtung der Anzeige immer an
	10S	Damit wird die Hintergrundbeleuchtung der Anzeige nach 10 Sekunden Inaktivität ausgeschaltet
	20S	Damit wird die Hintergrundbeleuchtung der Anzeige nach 20 Sekunden Inaktivität ausgeschaltet
	30S	Damit wird die Hintergrundbeleuchtung der Anzeige nach 30 Sekunden Inaktivität ausgeschaltet
Key Lock	On	Damit wird die Anzeige gesperrt (Kennwort lautet <UP>, <DOWN>, <UP>, <DOWN>, <ENTER>)
	Off	
Information	Fixture Hours	<_ _ _ _ H>
	Version	<V _ _>
	UID	<_ _ _ _ _>
	Battery	_ _ _ %
Reset Factory	No	Damit stellen Sie das Gerät auf die Werkseinstellungen zurück
	Yes	

DMX Werte

Zonen für DMX-Steuerung



23Ch

Kanal	Funktion	Wert	Prozent/Einstellung
1	Dimmer	000 ⇄ 255	0–100%
2	Dimmer fein	000 ⇄ 255	0–100%
3	Rot 1	000 ⇄ 255	0–100%
4	Grün 1	000 ⇄ 255	0–100%
5	Blau 1	000 ⇄ 255	0–100%
6	Weiß 1	000 ⇄ 255	0–100%
7	Rot 2	000 ⇄ 255	0–100%
8	Grün 2	000 ⇄ 255	0–100%
9	Blau 2	000 ⇄ 255	0–100%
10	Weiß 2	000 ⇄ 255	0–100%
11	Rot 3	000 ⇄ 255	0–100%
12	Grün 3	000 ⇄ 255	0–100%
13	Blau 3	000 ⇄ 255	0–100%
14	Weiß 3	000 ⇄ 255	0–100%
15	Rot 4	000 ⇄ 255	0–100%
16	Grün 4	000 ⇄ 255	0–100%
17	Blau 4	000 ⇄ 255	0–100%
18	Weiß 4	000 ⇄ 255	0–100%

Kanal	Funktion	Wert	Prozent/Einstellung
19	Strobe	000 ⇔ 010	Keine Funktion
		011 ⇔ 255	Strobe, langsam bis schnell
20	Farbe Makro	000 ⇔ 010	Keine Funktion
		011 ⇔ 030	R: 100% G: 0–100% B: 0%
		031 ⇔ 050	R: 100–0% G: 100% B: 0%
		051 ⇔ 070	R: 0% G: 100% B: 0–100%
		071 ⇔ 090	R: 0% G: 100–0% B: 100%
		091 ⇔ 110	R: 0–100% G: 0% B: 100%
		111 ⇔ 130	R: 100% G: 0% B: 100–0%
		131 ⇔ 150	R: 100% G: 0–100% B: 0–100%
		151 ⇔ 170	R: 100% G: 100–0% B: 100%
		171 ⇔ 200	R: 100% G: 100% B: 100%
		201 ⇔ 205	Farbtemperatur 1
		206 ⇔ 210	Farbtemperatur 2
		211 ⇔ 215	Farbtemperatur 3
		216 ⇔ 220	Farbtemperatur 4
		221 ⇔ 225	Farbtemperatur 5
		226 ⇔ 230	Farbtemperatur 6
		231 ⇔ 235	Farbtemperatur 7
		236 ⇔ 240	Farbtemperatur 8
241 ⇔ 245	Farbtemperatur 9		
246 ⇔ 250	Farbtemperatur 10		
251 ⇔ 255	Farbtemperatur 11		
21	Auto-Programme	000 ⇔ 010	Keine Funktion
		011 ⇔ 032	Auto-Programm 1
		033 ⇔ 054	Auto-Programm 2
		055 ⇔ 076	Auto-Programm 3
		077 ⇔ 098	Auto-Programm 4
		099 ⇔ 120	Auto-Programm 5 (Auto-Programm 1–4)
		121 ⇔ 142	Auto-Programm 6
		143 ⇔ 164	Auto-Programm 7
		165 ⇔ 186	Auto-Programm 8
		187 ⇔ 208	Auto-Programm 9
		209 ⇔ 230	Auto-Programm 10
231 ⇔ 255	Auto-Programm 11 (Auto-Programm 6–10)		
22	Programmgeschwindigkeit	000 ⇔ 255	Geschwindigkeit, langsam bis schnell
23	Dimmergeschwindigkeit	000 ⇔ 051	Dimmergeschwindigkeit von Anzeige eingestellt
		052 ⇔ 101	Dimmer-Geschwindigkeits-Modus aus
		102 ⇔ 152	Dimmer-Geschwindigkeits-Modus 1 (schnellste)
		153 ⇔ 203	Dimmer-Geschwindigkeits-Modus 2
		204 ⇔ 255	Dimmer-Geschwindigkeits-Modus 3 (langsamste)

16Ch

Kanal	Funktion	Wert	Prozent/Einstellung
1	Rot 1	000 ⇔ 255	0–100%
2	Grün 1	000 ⇔ 255	0–100%
3	Blau 1	000 ⇔ 255	0–100%
4	Weiß 1	000 ⇔ 255	0–100%
5	Rot 2	000 ⇔ 255	0–100%
6	Grün 2	000 ⇔ 255	0–100%
7	Blau 2	000 ⇔ 255	0–100%
8	Weiß 2	000 ⇔ 255	0–100%
9	Rot 3	000 ⇔ 255	0–100%
10	Grün 3	000 ⇔ 255	0–100%
11	Blau 3	000 ⇔ 255	0–100%
12	Weiß 3	000 ⇔ 255	0–100%
13	Rot 4	000 ⇔ 255	0–100%
14	Grün 4	000 ⇔ 255	0–100%
15	Blau 4	000 ⇔ 255	0–100%
16	Weiß 4	000 ⇔ 255	0–100%

11Ch

Kanal	Funktion	Wert	Prozent/Einstellung
1	Dimmer	000 ⇔ 255	0–100%
2	Dimmer fein	000 ⇔ 255	0–100%
3	Rot	000 ⇔ 255	0–100%
4	Grün	000 ⇔ 255	0–100%
5	Blau	000 ⇔ 255	0–100%
6	Weiß	000 ⇔ 255	0–100%
7	Strobe	000 ⇔ 010 011 ⇔ 255	Keine Funktion Strobe, langsam bis schnell
8	Farbe Makro	000 ⇔ 010	Keine Funktion
		011 ⇔ 030	R: 100% G: 0–100% B: 0%
		031 ⇔ 050	R: 100–0% G: 100% B: 0%
		051 ⇔ 070	R: 0% G: 100% B: 0–100%
		071 ⇔ 090	R: 0% G: 100–0% B: 100%
		091 ⇔ 110	R: 0–100% G: 0% B: 100%
		111 ⇔ 130	R: 100% G: 0% B: 100–0%
		131 ⇔ 150	R: 100% G: 0–100% B: 0–100%
		151 ⇔ 170	R: 100% G: 100–0% B: 100%
		171 ⇔ 200	R: 100% G: 100% B: 100%
		201 ⇔ 205	Farbtemperatur 1
		206 ⇔ 210	Farbtemperatur 2
		211 ⇔ 215	Farbtemperatur 3
		216 ⇔ 220	Farbtemperatur 4
221 ⇔ 225	Farbtemperatur 5		
226 ⇔ 230	Farbtemperatur 6		
231 ⇔ 235	Farbtemperatur 7		
236 ⇔ 240	Farbtemperatur 8		
241 ⇔ 245	Farbtemperatur 9		
246 ⇔ 250	Farbtemperatur 10		
251 ⇔ 255	Farbtemperatur 11		

Kanal	Funktion	Wert	Prozent/Einstellung
9	Auto-Programme	000 ⇔ 010	Keine Funktion
		011 ⇔ 032	Auto-Programm 1
		033 ⇔ 054	Auto-Programm 2
		055 ⇔ 076	Auto-Programm 3
		077 ⇔ 098	Auto-Programm 4
		099 ⇔ 120	Auto-Programm 5 (Auto-Programm 1–4)
		121 ⇔ 142	Auto-Programm 6
		143 ⇔ 164	Auto-Programm 7
		165 ⇔ 186	Auto-Programm 8
		187 ⇔ 208	Auto-Programm 9
		209 ⇔ 230	Auto-Programm 10
		231 ⇔ 255	Auto-Programm 11 (Auto-Programm 6–10)
10	Programmgeschwindigkeit	000 ⇔ 255	Geschwindigkeit, langsam bis schnell
11	Dimmergeschwindigkeit	000 ⇔ 051	Dimmergeschwindigkeit von Anzeige eingestellt
		052 ⇔ 101	Dimmer-Geschwindigkeits-Modus aus
		102 ⇔ 152	Dimmer-Geschwindigkeits-Modus 1 (schnellste)
		153 ⇔ 203	Dimmer-Geschwindigkeits-Modus 2
		204 ⇔ 255	Dimmer-Geschwindigkeits-Modus 3 (langsamste)

7Ch

Kanal	Funktion	Wert	Prozent/Einstellung
1	Dimmer	000 ⇔ 255	0–100%
2	Dimmer fein	000 ⇔ 255	0–100%
3	Rot	000 ⇔ 255	0–100%
4	Grün	000 ⇔ 255	0–100%
5	Blau	000 ⇔ 255	0–100%
6	Weiß	000 ⇔ 255	0–100%
7	Strobe	000 ⇔ 010	Keine Funktion
		011 ⇔ 255	Strobe, langsam bis schnell

4Ch

Kanal	Funktion	Wert	Prozent/Einstellung
1	Rot	000 ⇔ 255	0–100%
2	Grün	000 ⇔ 255	0–100%
3	Blau	000 ⇔ 255	0–100%
4	Weiß	000 ⇔ 255	0–100%

Over deze handleiding

De COLORado Panel Q40 Beknopte Handleiding (BH) bevat basisinformatie over het product, zoals aansluiting, montage, menu-opties en DMX-waarden. Download de gebruikershandleiding op www.chauvetprofessional.com voor meer informatie.

Disclaimer

De informatie en specificaties in deze BH kunnen zonder voorafgaande kennisgeving worden gewijzigd.

BEPERKTE GARANTIE

GA NAAR ONZE WEBSITE VOOR REGISTRATIE VAN DE GARANTIE EN DE VOLLEDIGE ALGEMENE VOORWAARDEN.

Voor klanten in de Verenigde Staten en Mexico: www.chauvetlighting.com/warranty-registration.

Voor klanten in het Verenigd Koninkrijk, Ierland, België, Nederland, Luxemburg, Frankrijk en Duitsland: www.chauvetlighting.eu/warranty-registration.

Chauvet garandeert dat dit product bij normaal gebruik vrij zal blijven van defecten in materiaal en vakmanschap, voor de opgegeven periode en onder voorbehoud van de uitzonderingen en beperkingen die zijn uiteengezet in de volledige beperkte garantie op onze website. Deze garantie geldt uitsluitend voor de oorspronkelijke koper van het product en is niet overdraagbaar. Om onder deze garantie rechten uit te oefenen, moet u een aankoopbewijs overleggen in de vorm van een origineel verkoopbewijs van een geautoriseerde dealer, waarop de naam van het product en de aankoopdatum zichtbaar zijn. ER ZIJN GEEN ANDERE EXPLICIETE OF IMPLICIETE GARANTIES. Deze garantie geeft u specifieke wettelijke rechten. Mogelijk heeft u ook andere rechten die van staat tot staat en van land tot land verschillen. Deze garantie is uitsluitend geldig in de Verenigde Staten, het Verenigd Koninkrijk, Ierland, België, Nederland, Luxemburg, Frankrijk, Duitsland en Mexico. Neem contact op met uw lokale verkoper voor garantievoorwaarden in andere landen.

Veiligheidsinstructies

Deze veiligheidsinstructies bevatten belangrijke informatie over de installatie, het gebruik en het onderhoud.

- Open het product NIET. Het bevat geen te onderhouden onderdelen.
- KIJK NIET in de lichtbron wanneer het apparaat is ingeschakeld.
- Om onnodige slijtage te elimineren en zijn levensduur te verlengen, gedurende perioden wanneer het product niet wordt gebruikt, moet u het product van de stroom afsluiten door een aardlekschakelaar om te zetten of door het te ontkoppelen.
- LET OP: Bij het verplaatsen van het product uit extreme omgevingen, (bijv. koude vrachtwagen naar warme, vochtige balzaal) kan er condensvorming optreden op de elektronica van het product. Om storingen te vermijden moet het product volledig kunnen acclimatiseren aan de omgeving voordat het op stroom wordt aangesloten.
- LET OP: De behuizing van dit product kan heet zijn wanneer het in bedrijf is.
- Monteer dit product op een plek met voldoende ventilatie, ten minste 50 cm van de aangrenzende oppervlakken.
- Plaats geen ontvlambaar materiaal binnen 50 cm van dit product als het in gebruik is of is aangesloten op het stopcontact.
- GEBRUIK een veiligheidskabel bij het boven het hoofd plaatsen van dit product.
- Dit product NIET onderdompelen (IP65). Regelmatig gebruik buitenshuis is prima.
- Gebruik dit product NIET als de behuizing, lenzen of kabels beschadigd lijken.
- Sluit dit product NIET aan op een dimmer of een regelweerstand.
- Sluit dit product UITSLUITEND op een geaard en beveiligd stroomcircuit.
- Gebruik UITSLUITEND de ophang-/montagebeugels of de hendels om dit product te dragen.
- Stop in het geval van ernstige operationele problemen onmiddellijk met het gebruik.
- De maximale omgevingstemperatuur bedraagt 45 °C. Gebruik dit product niet bij hogere temperaturen.
- De minimale opstarttemperatuur is -20° C. Start het product niet op bij lagere temperaturen.
- De minimale omgevingstemperatuur is -30 °C. Gebruik het product niet bij lagere temperaturen.

RF-blootstellingswaarschuwing voor Noord-Amerika en Australië

Waarschuwing! Deze apparatuur voldoet aan de FCC-limieten voor blootstelling aan straling die zijn vastgesteld voor een ongecontroleerde omgeving. Deze apparatuur moet geplaatst en gebruikt worden met een minimale afstand van 20 cm tussen de radiator en uw lichaam. Deze zender mag niet op dezelfde locatie worden gebruikt als of geplaatst worden bij een andere antenne of zender.

Contact

Van buiten de VS, Verenigd Koninkrijk, Ierland, Benelux, Frankrijk, Duitsland of Mexico kunt u contact opnemen met de distributeur of om ondersteuning vragen dan wel het product retourneren. Ga naar www.chauvetprofessional.com voor contactinformatie.

Wat is inbegrepen

- COLORado Panel Q40
- Seetronic Powerkon IP65 stroomsnoer
- Kleurenmengfilterlens
- Omegabeugel met bevestigingsapparatuur
- Beknopte handleiding

AC-Stroom

Dit product heeft een voeding met automatisch bereik die werkt met een ingangsspanning van 100–240 VAC, 50/60 Hz.

Power Linking

U kunt tot 2 COLORado Panel Q40-producten koppelen bij 120 V, 4 producten bij 208 V of 5 producten bij 230 V. Dit aantal niet overschrijden. Power Linking-snoeren kunnen apart aangeschaft worden.

AC-stekker

Aansluiting	Snoer (VS)	Snoer (Europa)	Schroefkleur
AC Live	Zwart	Bruin	Geel/messing
AC Neutraal	Wit	Blauw	Zilver
AC Aarde	Groen/geel	Groen/geel	Groen



Om onnodige slijtage te elimineren en zijn levensduur te verlengen, gedurende perioden wanneer het product niet wordt gebruikt, moet u het product van de stroom afsluiten door een aardlekschakelaar om te zetten of door het te ontkoppelen.

DMX-koppeling

De COLORado Panel Q40 kan met een DMX-controller werken met een normale DMX seriële verbinding of met een draadloze DMX verbinding. Op www.chauvetprofessional.com is een DMX-basishandleiding verkrijgbaar.

DMX-aansluiting

De COLORado Panel Q40 gebruikt een normale of een draadloze DMX-gegevensverbinding voor zijn DMX-persoonlijkheden: **4Ch**, **7Ch**, **11Ch**, **16Ch** en **23Ch**. Zie de gebruikershandleiding om te verbinden en te configureren voor DMX-werking.

Master/slave-verbinding

De COLORado Panel Q40 maakt gebruik van de DMX-dataverbinding voor haar Master-/Slave-modus. Zie de gebruikershandleiding om te verbinden en te configureren voor Master/Slave-werking.

Draadloze bediening

In optimale omstandigheden, kan de COLORado Panel Q40 werken tot een afstand van 300 m van de W-DMX zender. De W-DMX ontvanger in de COLORado Panel Q40 moet met de W-DMX zender zijn gekoppeld voor draadloze werking.

Eerste opstelling

1. Schakel de W-DMX-zender in.
2. Sluit de W-DMX-zender aan op een DMX-regelaar.
3. Plaats de COLORado Panel Q40 binnen 300 m van de W-DMX-zender.
4. Ontkoppel alle DMX-kabels van de COLORado Panel Q40.
5. Schakel de COLORado Panel Q40 in.

Configuratie

1. Ga vanuit het bedieningspaneel van de COLORado Panel Q40 naar het **DMX Address**.
2. Kies het startadres, zoals bij elk ander DMX-compatibel product.
3. Ga naar **Wireless Setting > Receive On/Off**.
4. Kier **On**. (De aanduiding van de signaalsterkte toont een ? voor de streepjes)
5. Druk op de W-DMX-zender op de resetknop. (De indicator van de signaalsterkte op de COLORado Panel Q40 toont 3 seconden een ⚡ voor de streepjes terwijl een verbinding wordt opgestart.)

Koppelen van het product

Als de COLORado Panel Q40 al is gekoppeld met de W-DMX-zender, toont de indicator voor de signaalsterkte in het midden van het OLED-scherm de signaalsterkte. In dit geval is de COLORado Panel Q40 al klaar voor gebruik in de draadloze modus.

1. Ga vanuit het bedieningspaneel van de COLORado Panel Q40 naar **Wireless Setting**.
2. Kies **Reset**. (De aanduiding van de signaalsterkte op de COLORado Panel Q40 toont een ? voor de streepjes)
3. Druk vanuit de W-DMX-zender op **<RESET>** (de signaalaanduiding op de zender zal knipperen)
4. Nadat de zender de COLORado Panel Q40 heeft gevonden, zal de signaalaanduiding op de W-DMX zender onafgebroken branden.
5. De aanduiding voor de signaalsterkte in het midden van het OLED-scherm op de COLORado Panel Q40 toont de signaalsterkte.



De werking van W-DMX kan worden verstoord of onderbroken door vloeistofmassa's tussen de zender en de ontvanger, zoals water, sneeuw of mensen. Houd het gebied tussen de zender en de ontvanger voor de beste resultaten vrij van vloeistofmassa.

RDM (apparaatbeheer op afstand)

Remote Device Management of RDM (apparaatbeheer op afstand) is een standaard die het voor DMX-apparaten mogelijk maakt om in twee richtingen te communiceren over bestaande DMX-kabels. De COLORado Panel Q40 ondersteunt het RDM-protocol dat zorgt feedback toelaat bij de bewaking van Temperatuur en wijzigingen aan de menu opties van **DMX Address**, **DMX Channel**, **Dimmer Mode**, en **LED Frequency**. Download de gebruikershandleiding op www.chauvetprofessional.com voor meer informatie.

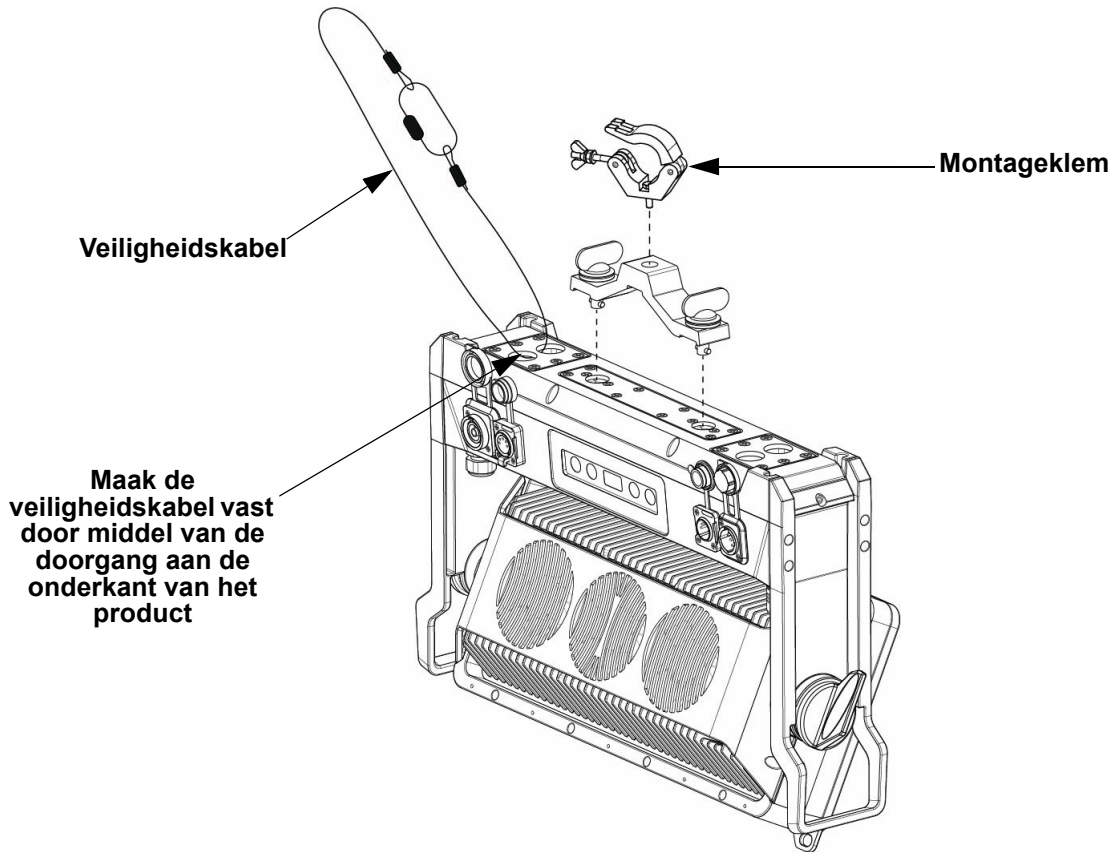
Kleurenmengfilterlens

De kleurenmengfilterlens produceert een zeer gelijkmatig licht die zacht is bij de randen. De kleurenmengfilterlens is eenvoudig te bevestigen met de ingebouwde magneten.

Montage

Lees alvorens dit product te monteren alle [Veiligheidsinstructies](#). Gebruik ten minste één montagepunt per product. Controleer of de montageklem het gewicht van het product kan dragen. Ga voor onze Chauvet-serie montageklemmen naar <http://trusst.com/products>.

Montagediagram

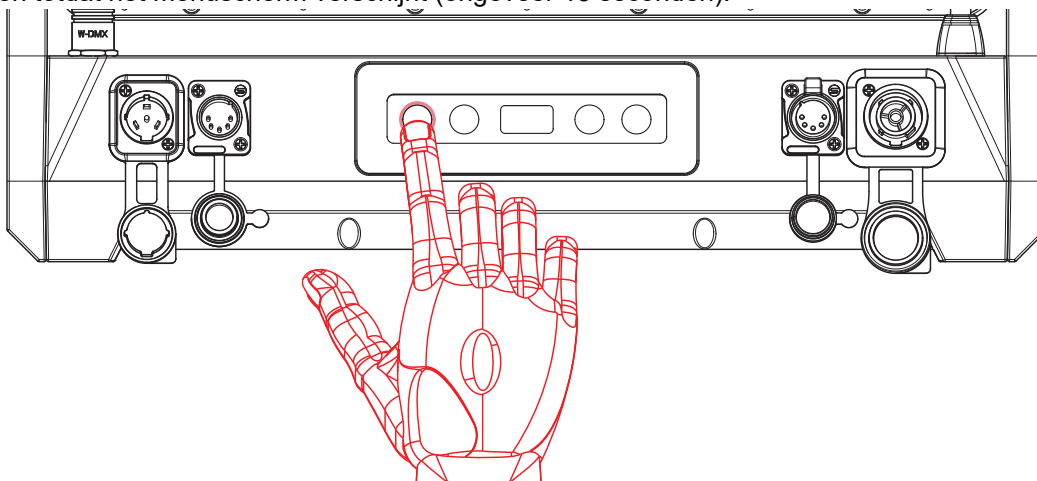


Beschrijving bedieningspaneel

Toet	Functie
<MENU>	Sluit het huidige menu of functie af
<ENTER>	Activeert het huidige getoonde menu of plaatst de huidige geselecteerde waarde in de geselecteerde functie
<UP>	Navigeert omhoog via het menu of verhoogt de numerieke waarde wanneer in een functie
<DOWN>	Navigeert omlaag via het menu of verlaagt de numerieke waarde wanneer in een functie

Display op batterijstroom

Ingedrukt houden totdat het menuscherm verschijnt (ongeveer 15 seconden).



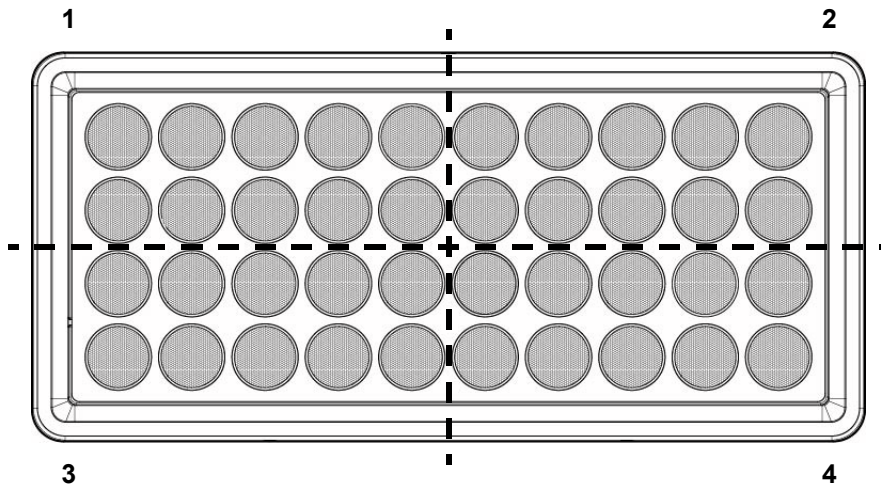
Menukaart

Hoofdniveau	Programmeerniveaus		Beschrijving	
DMX Address	001–509		Selecteert het start-adres (hoogste kanaal beperkt tot de gekozen persoonlijkheid)	
DMX Channel	4Ch		4-kanaal: RGBW	
	7Ch		7-kanaal: 16-bit dimmer, RGBW, stroboscoop	
	11Ch		11-kanaal: 16-bit dimmer, RGBW, stroboscoop, kleur macro, programma's, snelheid, dimmersnelheidsmodus	
	16Ch		16-kanaal: 4-zone RGBW	
	23Ch		23-kanaal: 16-bit dimmer, 4-zone RGBW, stroboscoop, kleur macro, programma's, snelheid, dimmersnelheidsmodus	
Static	Fixed Color	R	Rood	
		G	Groen	
		B	Blauw	
		W	Wit	
		GB	Groen en blauw	
		RB	Rood en blauw	
		RG	Rood en groen	
		RGB	Rood, groen en blauw	
		RW	Rood en wit	
		GW	Groen en wit	
		BW	Blauw en wit	
		RGW	Rood, groen en wit	
		RBW	Rood, blauw en wit	
	GBW	Groen, blauw en wit		
	RGBW	Rood, groen, blauw en wit		
Manual Color Mixer	Red	0–255	Combineert rood, groen, blauw en wit om een aangepaste kleur te genereren (0–100%)	
	Green			
	Blue			
	White			
Auto Show	Auto 1–11	1–100	Selecteert automatische programma's en automatische programmasnelheid	
Master/Slave	Master		DMX-modus (Master)	
	Slave		Slave-modus	
Dimmer Mode	Off		Lineaire dimmer	
	Dimmer 1–3		Selecteert dimprofielen van snel (Dimmer 1) tot langzaam (Dimmer 3)	
White Balance	Off		Gebruikt standaard witte instelling	
	Manual	Red	125–255	Stelt de maximum waarde van de rode LED in
		Green		Stelt de maximum waarde van de groene LED in
		Blue		Stelt de maximum waarde van de blauwe LED in
		White		Stelt de maximum waarde van de witte LED in
Legacy	On		Komt overeen met de uitvoer naar eerdere modellen van de COLORado Panel Q40	
	Off			
LED Frequency	600Hz		Selecteert de PWM-uitgangsfrequentie	
	1200Hz			
	2000Hz			
	4000Hz			
	6000Hz			
	25KHz			
Fan Mode	Auto		Ingesteld de ventilator automatische modus	
	On		Ingesteld de ventilator altijd aan modus	
Wireless Setting	Receive On/Off	On	Schakelt de DMX-functie aan/uit	
		Off		
	Receive Reset	No	Schakelt het uit DMX-functie DMX-sigitaal aan/uit	
	Yes			

Hoofdniveau	Programmeerniveaus		Beschrijving
Back Light	On		De backlight van de display is altijd aan
	10S		Schakelt de backlight van de display uit na 10s van inactiviteit
	20S		Schakelt de backlight van de display uit na 20s van inactiviteit
	30S		Schakelt de backlight van de display uit na 30s van inactiviteit
Key Lock	On		Vergrendelt het display (wachtwoord is <UP>, <DOWN>, <UP>, <DOWN>, <ENTER>)
	Off		
Information	Fixture Hours	<_ _ _ _ H>	Toont het totale aantal producturen
	Version	<V _ _ >	Toont de geïnstalleerde softwareversie
	UID	<_ _ _ _ _ >	Geeft de huidige UID
	Battery	_ _ _ %	Toont zien hoeveel levensduur van de accu beschikbaar blijft
Reset Factory	No		Herstellen naar de fabrieksstandaard
	Yes		

DMX-waarden

Zones voor DMX-besturing



23Ch

Kanaal	Functie	Waarde	Percentage/Instelling
1	Dimmer	000 ⇔ 255	0–100%
2	Fijne dimmer	000 ⇔ 255	0–100%
3	Rood 1	000 ⇔ 255	0–100%
4	Groen 1	000 ⇔ 255	0–100%
5	Blauw 1	000 ⇔ 255	0–100%
6	Wit 1	000 ⇔ 255	0–100%
7	Rood 2	000 ⇔ 255	0–100%
8	Groen 2	000 ⇔ 255	0–100%
9	Blauw 2	000 ⇔ 255	0–100%
10	Wit 2	000 ⇔ 255	0–100%
11	Rood 3	000 ⇔ 255	0–100%
12	Groen 3	000 ⇔ 255	0–100%
13	Blauw 3	000 ⇔ 255	0–100%
14	Wit 3	000 ⇔ 255	0–100%
15	Rood 4	000 ⇔ 255	0–100%
16	Groen 4	000 ⇔ 255	0–100%
17	Blauw 4	000 ⇔ 255	0–100%
18	Wit 4	000 ⇔ 255	0–100%
19	Stroboscoop	000 ⇔ 010	Geen functie
		011 ⇔ 255	Stroboscoop, langzaam tot snel

Kanaal	Functie	Waarde	Percentage/Instelling
20	Kleurenmacro	000 ⇔ 010	Geen functie
		011 ⇔ 030	R: 100% G: 0–100% B: 0%
		031 ⇔ 050	R: 100–0% G: 100% B: 0%
		051 ⇔ 070	R: 0% G: 100% B: 0–100%
		071 ⇔ 090	R: 0% G: 100–0% B: 100%
		091 ⇔ 110	R: 0–100% G: 0% B: 100%
		111 ⇔ 130	R: 100% G: 0% B: 100–0%
		131 ⇔ 150	R: 100% G: 0–100% B: 0–100%
		151 ⇔ 170	R: 100% G: 100–0% B: 100%
		171 ⇔ 200	R: 100% G: 100% B: 100%
		201 ⇔ 205	Kleurtemperatuur 1
		206 ⇔ 210	Kleurtemperatuur 2
		211 ⇔ 215	Kleurtemperatuur 3
		216 ⇔ 220	Kleurtemperatuur 4
		221 ⇔ 225	Kleurtemperatuur 5
		226 ⇔ 230	Kleurtemperatuur 6
		231 ⇔ 235	Kleurtemperatuur 7
		236 ⇔ 240	Kleurtemperatuur 8
		241 ⇔ 245	Kleurtemperatuur 9
		246 ⇔ 250	Kleurtemperatuur 10
251 ⇔ 255	Kleurtemperatuur 11		
21	Automatisch programma's	000 ⇔ 010	Geen functie
		011 ⇔ 032	Automatisch programma 1
		033 ⇔ 054	Automatisch programma 2
		055 ⇔ 076	Automatisch programma 3
		077 ⇔ 098	Automatisch programma 4
		099 ⇔ 120	Automatisch programma 5 (programma 1–4)
		121 ⇔ 142	Automatisch programma 6
		143 ⇔ 164	Automatisch programma 7
		165 ⇔ 186	Automatisch programma 8
		187 ⇔ 208	Automatisch programma 9
		209 ⇔ 230	Automatisch programma 10
231 ⇔ 255	Automatisch programma 11 (programma 6–10)		
22	Programmasnelheid	000 ⇔ 255	Automatisch programmasnelheid, langzaam tot snel
23	Dimmermodus	000 ⇔ 051	Voorinstelling van de dimmersnelheid vanaf het displaymenu
		052 ⇔ 101	Dimmer snelheidsmodus uit
		102 ⇔ 152	Dimmer snelheidsmodus 1 (snel)
		153 ⇔ 203	Dimmer snelheidsmodus 2
		204 ⇔ 255	Dimmer snelheidsmodus 3 (langzaam)

NL

16Ch

Kanaal	Functie	Waarde	Percentage/Instelling
1	Rood 1	000 ⇔ 255	0–100%
2	Groen 1	000 ⇔ 255	0–100%
3	Blauw 1	000 ⇔ 255	0–100%
4	Wit 1	000 ⇔ 255	0–100%
5	Rood 2	000 ⇔ 255	0–100%
6	Groen 2	000 ⇔ 255	0–100%
7	Blauw 2	000 ⇔ 255	0–100%
8	Wit 2	000 ⇔ 255	0–100%
9	Rood 3	000 ⇔ 255	0–100%
10	Groen 3	000 ⇔ 255	0–100%
11	Blauw 3	000 ⇔ 255	0–100%
12	Wit 3	000 ⇔ 255	0–100%
13	Rood 4	000 ⇔ 255	0–100%
14	Groen 4	000 ⇔ 255	0–100%
15	Blauw 4	000 ⇔ 255	0–100%
16	Wit 4	000 ⇔ 255	0–100%

11Ch

Kanaal	Functie	Waarde	Percentage/Instelling
1	Dimmer	000 ⇔ 255	0–100%
2	Fijne dimmer	000 ⇔ 255	0–100%
3	Rood	000 ⇔ 255	0–100%
4	Groen	000 ⇔ 255	0–100%
5	Blauw	000 ⇔ 255	0–100%
6	Wit	000 ⇔ 255	0–100%
7	Stroboscoop	000 ⇔ 010 011 ⇔ 255	Geen functie Stroboscoop, langzaam tot snel
8	Kleurenmacro	000 ⇔ 010 011 ⇔ 030 031 ⇔ 050 051 ⇔ 070 071 ⇔ 090 091 ⇔ 110 111 ⇔ 130 131 ⇔ 150 151 ⇔ 170 171 ⇔ 200 201 ⇔ 205 206 ⇔ 210 211 ⇔ 215 216 ⇔ 220 221 ⇔ 225 226 ⇔ 230 231 ⇔ 235 236 ⇔ 240 241 ⇔ 245 246 ⇔ 250 251 ⇔ 255	Geen functie R: 100% G: 0–100% B: 0% R: 100–0% G: 100% B: 0% R: 0% G: 100% B: 0–100% R: 0% G: 100–0% B: 100% R: 0–100% G: 0% B: 100% R: 100% G: 0% B: 100–0% R: 100% G: 0–100% B: 0–100% R: 100% G: 100–0% B: 100% R: 100% G: 100% B: 100% Kleurtemperatuur 1 Kleurtemperatuur 2 Kleurtemperatuur 3 Kleurtemperatuur 4 Kleurtemperatuur 5 Kleurtemperatuur 6 Kleurtemperatuur 7 Kleurtemperatuur 8 Kleurtemperatuur 9 Kleurtemperatuur 10 Kleurtemperatuur 11

Kanaal	Functie	Waarde	Percentage/Instelling
9	Automatisch programma's	000 ⇔ 010	Geen functie
		011 ⇔ 032	Automatisch programma 1
		033 ⇔ 054	Automatisch programma 2
		055 ⇔ 076	Automatisch programma 3
		077 ⇔ 098	Automatisch programma 4
		099 ⇔ 120	Automatisch programma 5 (programma 1–4)
		121 ⇔ 142	Automatisch programma 6
		143 ⇔ 164	Automatisch programma 7
		165 ⇔ 186	Automatisch programma 8
		187 ⇔ 208	Automatisch programma 9
		209 ⇔ 230	Automatisch programma 10
		231 ⇔ 255	Automatisch programma 11 (programma 6–10)
10	Programmasnelheid	000 ⇔ 255	Automatisch programmasnelheid, langzaam tot snel
11	Dimmermodus	000 ⇔ 051	Voorinstelling van de dimmersnelheid vanaf het displaymenu
		052 ⇔ 101	Dimmer snelheidsmodus uit
		102 ⇔ 152	Dimmer snelheidsmodus 1 (snel)
		153 ⇔ 203	Dimmer snelheidsmodus 2
		204 ⇔ 255	Dimmer snelheidsmodus 3 (langzaam)

7Ch

Kanaal	Functie	Waarde	Percentage/Instelling
1	Dimmer	000 ⇔ 255	0–100%
2	Fijne dimmer	000 ⇔ 255	0–100%
3	Rood	000 ⇔ 255	0–100%
4	Groen	000 ⇔ 255	0–100%
5	Blauw	000 ⇔ 255	0–100%
6	Wit	000 ⇔ 255	0–100%
7	Stroboscoop	000 ⇔ 010	Geen functie
		011 ⇔ 255	Stroboscoop, langzaam tot snel

4Ch

Kanaal	Functie	Waarde	Percentage/Instelling
1	Rood	000 ⇔ 255	0–100%
2	Groen	000 ⇔ 255	0–100%
3	Blauw	000 ⇔ 255	0–100%
4	Wit	000 ⇔ 255	0–100%

Contact Us

General Information	Technical Support
World Headquarters	
Address: 5200 NW 108th Ave. Sunrise, FL 33351 Voice: (954) 577-4455 Fax: (954) 929-5560 Toll Free: (800) 762-1084	Voice: (844) 393-7575 Fax: (954) 756-8015 Email: chauvetcs@chauvetlighting.com Website: www.chauvetprofessional.com
UK	
Address: Unit 1C Brookhill Road Industrial Estate Pinxton, Nottingham, UK NG16 6NT Voice: +44 (0) 1773 511115 Fax: +44 (0) 1773 511110	Email: UKtech@chauvetlighting.eu Website: www.chauvetprofessional.eu
Benelux	
Address: Stokstraat 18 9770 Kruishoutem Belgium Voice: +32 9 388 93 97	Email: BNLtech@chauvetlighting.eu Website: www.chauvetprofessional.eu
France	
Address: 3, Rue Ampère 91380 Chilly-Mazarin France Voice: +33 1 78 85 33 59	Email: FRtech@chauvetlighting.fr Website: www.chauvetprofessional.eu
Germany	
Address: Bruno-Bürgel-Str. 11 28759 Bremen Germany Voice: +49 421 62 60 20	Email: DEtech@chauvetlighting.de Website: www.chauvetprofessional.eu
Mexico	
Address: Av. de las Partidas 34 - 3B (Entrance by Calle 2) Zona Industrial Lerma Lerma, Edo. de México, CP 52000 Voice: +52 (728) 690-2010	Email: servicio@chauvet.com.mx Website: www.chauvetprofessional.mx

Visit the applicable website above to verify our contact information and instructions to request support. Outside the U.S., United Kingdom, Ireland, Mexico, France, Germany, or Benelux, contact the dealer of record.



RoHS

